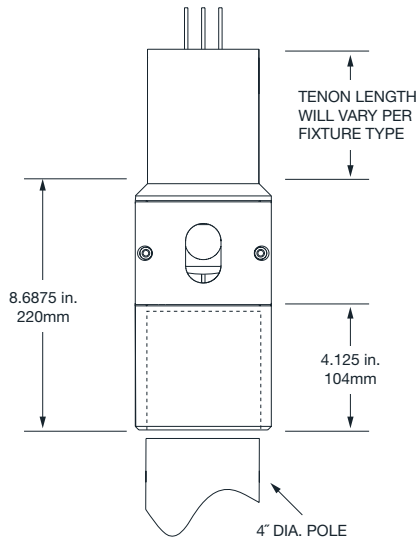


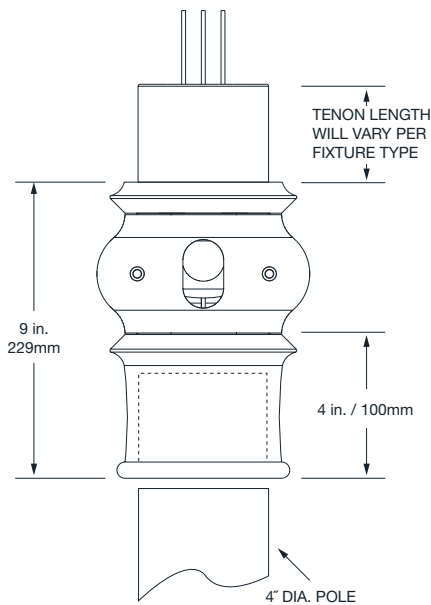
PHOTOCELL OPTIONS



PCA-C

Rotatable photocell housing. The photocell can be aimed away from stray light sources for an accurate setting. The photocell is also shielded from light emissions from the fixture.

The housing slips over a 4"/100mm O.D. pole. A fixture or arm slips over the 4"/100mm O.D. tenon. Includes an internal twist lock receptacle, and an access cover with integral lens and stainless steel tether. Adds 8"/200mm to the overall height of the pole/fixture assembly. Prewired on the load side and line side for easy installation. Photocell by others.



PCA-T

Rotatable photocell housing. The photocell can be aimed away from stray light sources for an accurate setting. The photocell is also shielded from light emissions from the fixture.

The housing slips over a 4"/100mm O.D. pole. A fixture slips over the 4"/100mm O.D. tenon. Includes an internal twist lock receptacle, and an access cover with integral lens and stainless steel tether. Adds 5"/127mm to the overall height of the pole/fixture assembly. Prewired on the load side and line side for easy installation. Photocell by others.

PHOTOCELL MODULE

PCA-C

PCA-T



The module is wired on both ends for a quick, easy installation

The acrylic window protects the interior of the module

The photocell is shielded from the fixture's illumination, even when used with an arm mounted fixture



The PCA Photocell Module is an innovative way of overcoming problems with photocells that cycle the lamp because of unwanted light sources in the environment. The PCA Photocell Modules are rotatable 360 degrees, so the photocell can be aimed away from light sources. The Photocell Module accepts a standard, twist lock photocell. The module has a acrylic window to protect the photocell from the elements and premature failure. The photocell is also shielded from light emissions from the fixture.



The door is held in place with two captive screws and tethered with a stainless steel cable (not shown)

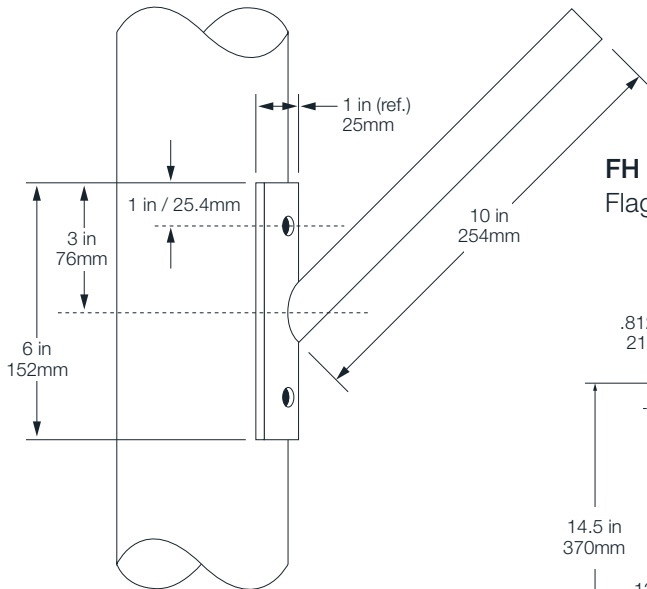
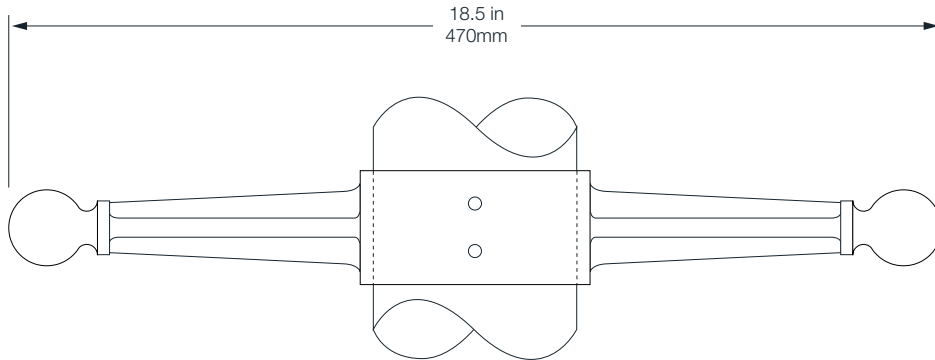
The Photocell Module is rotated by loosening three set screws.

The Photocell Module slips over a 4 inch od pole



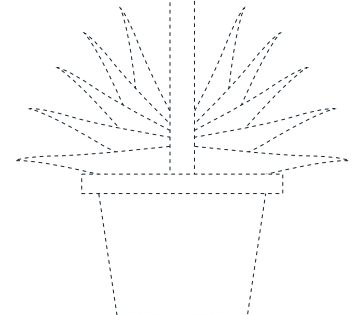
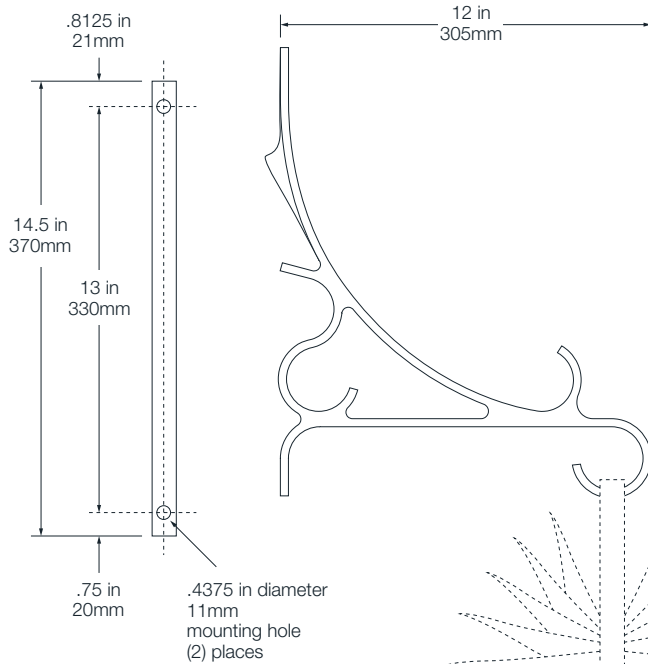
POLE OPTIONS / ACCESSORIES

LR
Ladder rest.
Slips over a
4" O.D. pole



PLT
Plant Hanger.
For 4" O.D. poles.
(specify location on pole)

FH
Flag holder. (Specify location on pole)



POLE OPTIONS / ACCESSORIES

FS1

Single weatherproof fuse holder.
Fuse by others.

FS2

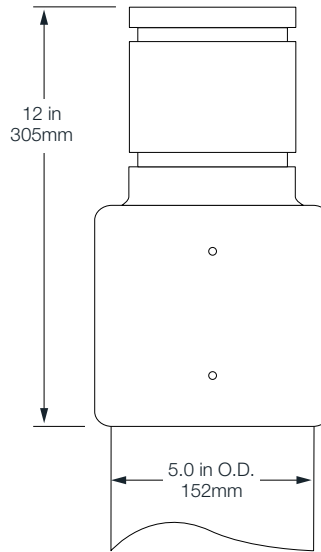
Double weatherproof fuse holder.
Fuse by others.

GFI

Ground fault interrupter. Standard location is 24" down from top of pole.

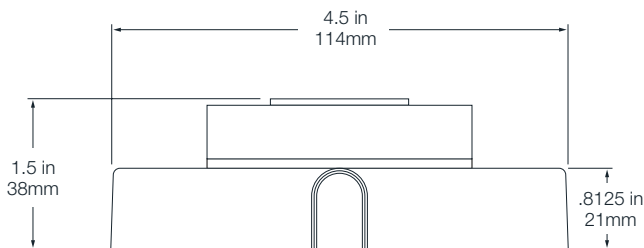
DRB

Duplex receptacle with box cover



AD4/AD5

This adapter is to be used only with standard AAL arms and post top mount fixtures that slip over a 4" O.D. or 5" O.D. pole.



PCR

Low profile twist lock photocell receptacle with cast pole cap top. Secures to the top of the pole with three stainless steel set screws. Photocell by others.

RBC

Cast aluminum receptacle housing, integrally welded to the pole. Includes a NEC approved clear weatherproof cover. Does not include a receptacle or internal wiring.

