

# CONTEMPORARY CONCRETE BOLLARDS



ARCHITECTURAL AREA LIGHTING

*"to create, inspire and nurture  
EXCELLENCE in each other"*



### Energy Efficient

AAL's Contemporary Concrete Bollards use electrical energy in the most efficient possible way. A wide variety of lamp and ballast systems provides more energy efficient design choices. The result is more light with less energy consumption.

### Light Pollution

AAL's Contemporary Concrete Bollards utilize cutoff optics which means less than 2.5% of light is emitted above 90° horizontal.

### Longevity

AAL manufactures all our products to have a life span as long as the building or space they illuminate. The primary material used for both our luminaire and pole products is aluminum to resist corrosion and the need for maintenance. Aluminum will not need the periodic refinishing required of steel products that will eventually rust and corrode. All our fasteners are made of aluminum or stainless steel. Our reflector enclosures are kept dust free and dry with the use of silicone gaskets to prevent light degradation from contaminants.

### Sustainability

Our products are developed with recycling and resource management in mind. We recycle all incoming packaging materials. Our products are shipped in easy to recycle packaging materials. Our state of the art finishing system uses eco-friendly cleansing and preparation chemicals. Our powder coating process eliminates the release of volatile chemicals into the atmosphere.

## CONTENTS

9" Round . . . . .	4
9" Square . . . . .	5
12" Round . . . . .	6
12" Square . . . . .	7
16" Square . . . . .	8
18" Round . . . . .	9
Specifications . . . . .	11



AAL is a registered continuing education provider.

Printed on recycled paper  
©2009 Architectural Area Lighting

Architectural Area Lighting's Contemporary Concrete Bollards are designed to be sensitive to the physical and aesthetic environment. Their natural materials harmonize with virtually any site design, and are available in many sizes, shapes, heights and finishes to complement various design needs. Standard surface treatments include natural colored concrete with an etched finish or exposed aggregate.



CB9R-CUTOFF-DOME-AGR



CB18R-HORZ-FLAT-MSB



CB12R-HORZ-FLAT-MSB

EXAMPLE	BOLLARD	OAH	GRILL	TOP STYLE	LAMP/BALLAST	CONCRETE FINISH	GRILL COLOR	OPTIONS	MOUNTING
	CB9R	36	CUTOFF	DOME	50MH	AGR	BLK	HSS	EXT
	CB9S	42	CUTOFF	FLAT	27LED-BW	MSB	MTB	-	EXT

**BOLLARD**

ROUND	OAH (inches)	GRILL	TOP STYLE	WT (lbs.)
CB9R	24	CUTOFF	FLAT	120
CB9R	36	CUTOFF	FLAT	140
CB9R	42	CUTOFF	FLAT	160
CB9R	24	CUTOFF	DOME	120
CB9R	36	CUTOFF	DOME	140
CB9R	42	CUTOFF	DOME	160

SQUARE	OAH (inches)	GRILL	TOP STYLE	WT (lbs.)
CB9S	24	CUTOFF	FLAT	130
CB9S	36	CUTOFF	FLAT	150
CB9S	42	CUTOFF	FLAT	170
CB9S	24	CUTOFF	PYRM	130
CB9S	36	CUTOFF	PYRM	150
CB9S	42	CUTOFF	PYRM	170

Grill assembly for CB9R and CB9S is 8"/203mm square or diameter.

**LAMP/BALLAST**

50MH	50 watt metal halide 120/208/240/277 volt ballast. Use medium base, ED-17 lamp.
70MH	70 watt metal halide 120/208/240/277 volt ballast. Use medium base, ED-17 lamp.
100MH	100 watt metal halide 120/208/240/277 volt ballast. Use medium base, ED-17 lamp.
50HPS	50 watt high pressure sodium 120/277 volt ballast. Use medium base, ED-17 lamp.
70HPS	70 watt high pressure sodium 120/208/240/277 volt ballast. Use medium base, ED-17 lamp.
100HPS	100 watt high pressure sodium 120/208/240/277 volt ballast. Use medium base, ED-17 lamp.
27LED-WW	27 light emitting diode array (28 watt). Warm white (3500K). IES Type 5. 120 thru 277 volt.
27LED-BW	27 light emitting diode array (28 watt). Bright white (5100K). IES Type 5. 120 thru 277 volt.

All ballasts are factory wired for 277 volts, unless specified. Lamps not included (except LED options). All applicable ballasts are EISA compliant.

**CONCRETE FINISH**

MSB	Medium sandblast, natural color finish
AGR	Exposed aggregate finish

**GRILL COLOR**

All standard and premium AAL colors available for grill.  
For RAL and custom colors, please submit a 4-digit RAL number or color chip for custom colors.

**OPTIONS**

HSS	House side shield -180°
RBC	A single gang junction box, cast in place, weatherproof cover only. Consult factory for location.
Colored Concrete	Based on Davis colors. For custom color and aggregate, customer must provide aggregate, sand, and colorant.

**MOUNTING**

EXT	External mounting
	Internal mounting not available with CB9 models.

# 9" Round and Square



CB9R-36-CUTOFF-PYRM-MSB



CB9S-36-CUTOFF-PYRM-MSB



CB9R-42-CUTOFF-FLAT-MSB

EXAMPLE	BOLLARD	OAH	GRILL	TOP STYLE	LAMP/BALLAST	CONCRETE FINISH	GRILL COLOR	OPTIONS	MOUNTING
	CB12R	44	HORZ	DOME	70HPS	MSB	DGN	RBC	INT
	CB12S	36	VERT	PYRM	36LED-WW	AGR	BLK	-	EXT

**BOLLARD**

ROUND	OAH (inches)	GRILL	TOP STYLE	WT (lbs.)
CB12R	42	CUTOFF	FLAT	190
CB12R	26	CUTOFF	DOME	160
CB12R	38	CUTOFF	DOME	180
CB12R	44	CUTOFF	DOME	200
CB12R	24	HORZ	FLAT	150
CB12R	36	HORZ	FLAT	170
CB12R	42	HORZ	FLAT	190
CB12R	26	HORZ	DOME	160
CB12R	38	HORZ	DOME	180
CB12R	44	HORZ	DOME	200
CB12R	24	VERT	FLAT	150
CB12R	36	VERT	FLAT	170
CB12R	42	VERT	FLAT	190
CB12R	24	VERT	DOME	160
CB12R	36	VERT	DOME	180
CB12R	42	VERT	DOME	200

SQUARE	OAH (inches)	GRILL	TOP STYLE	WT (lbs.)
CB12S	24	HORZ	FLAT	160
CB12S	36	HORZ	FLAT	180
CB12S	42	HORZ	FLAT	200
CB12S	24	HORZ	PYRM	170
CB12S	36	HORZ	PYRM	190
CB12S	42	HORZ	PYRM	210
CB12S	24	VERT	FLAT	160
CB12S	36	VERT	FLAT	180
CB12S	42	VERT	FLAT	200
CB12S	24	VERT	PYRM	170
CB12S	36	VERT	PYRM	190
CB12S	42	VERT	PYRM	210

**LAMP/BALLAST**

50MH	50 watt metal halide 120/208/240/277 volt ballast. Use medium base, ED-17 lamp.
70MH	70 watt metal halide 120/208/240/277 volt ballast. Use medium base, ED-17 lamp.
100MH	100 watt metal halide 120/208/240/277 volt ballast. Use medium base, ED-17 lamp.
50HPS	50 watt high pressure sodium 120/277 volt ballast. Use medium base, ED-17 lamp.
70HPS	70 watt high pressure sodium 120/208/240/277 volt ballast. Use medium base, ED-17 lamp.
100HPS	100 watt high pressure sodium 120/208/240/277 volt ballast. Use medium base, ED-17 lamp.
36LED-WW	36 light emitting diode array (37 watt). Warm white (3500K). IES Type 5. 120 thru 277 volt.
36LED-BW	36 light emitting diode array (37 watt). Bright white (5100K). IES Type 5. 120 thru 277 volt.

*All ballasts are factory wired for 277 volts, unless specified. Lamps not included (except LED options). All applicable ballasts are EISA compliant.*

# 12" Round and Square

## CONTEMPORARY CONCRETE BOLLARDS

EXAMPLE	BOLLARD	OAH	GRILL	TOP STYLE	LAMP/BALLAST	CONCRETE FINISH	GRILL COLOR	OPTIONS	MOUNTING
	CB12R	44	HORZ	DOME	70HPS	MSB	DGN	RBC	INT
	CB12S	36	VERT	PYRM	36LED-WW	AGR	BLK	-	EXT

### CONCRETE FINISH

MSB Medium sandblast, natural color finish

AGR Exposed aggregate finish

### GRILL COLOR

All standard and premium AAL colors available for grill.

For RAL and custom colors, please submit a 4-digit RAL number or color chip for custom colors.

### OPTIONS

HSS House side shield -180°

RBC A single gang junction box, cast in place, weatherproof cover only. Consult factory for location.

Colored Concrete Based on Davis colors. For custom color and aggregate, customer must provide aggregate, sand, and colorant.

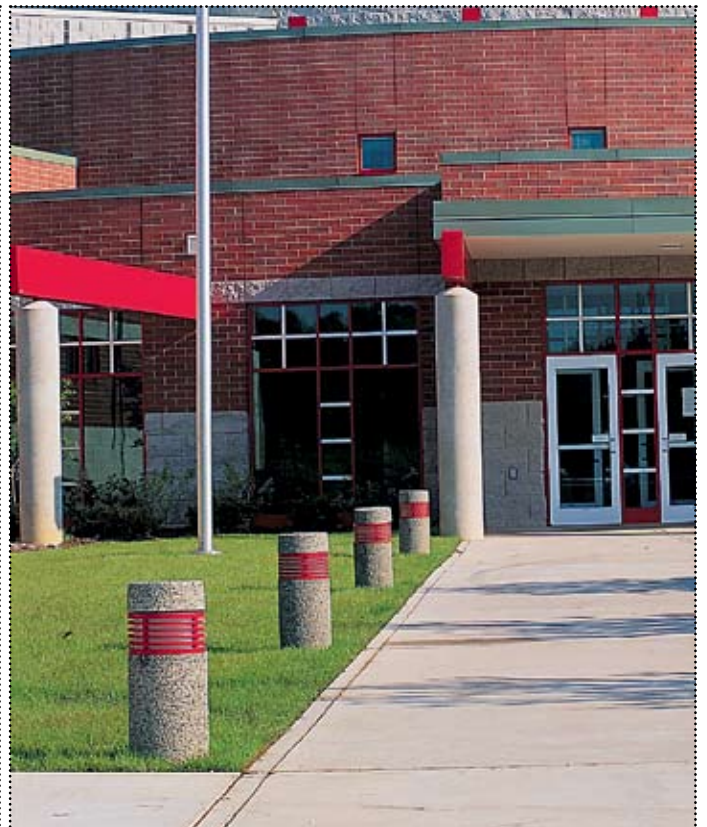
### MOUNTING

INT Internal mounting

EXT External mounting



CB12S-36-HORZ-FLAT-AGR



CB12R-36-HORZ-FLAT-AGR

EXAMPLE	BOLLARD	OAH	GRILL	TOP STYLE	LAMP/BALLAST	CONCRETE FINISH	GRILL COLOR	OPTIONS	MOUNTING
	CB16S	36	HORZ	FLAT	70HPS	AGR	BRM	HSS	EXT

BOLLARD	OAH (inches)	GRILL	TOP STYLE	WT (lbs.)
CB16S	24	HORZ	FLAT	330
CB16S	36	HORZ	FLAT	370
CB16S	42	HORZ	FLAT	410
CB16S	24	HORZ	PYRM	340
CB16S	36	HORZ	PYRM	380
CB16S	42	HORZ	PYRM	420
CB16S	24	VERT	FLAT	330
CB16S	36	VERT	FLAT	370
CB16S	42	VERT	FLAT	410
CB16S	24	VERT	PYRM	340
CB16S	36	VERT	PYRM	380
CB16S	42	VERT	PYRM	420
CB16S	24	CUTOFF	FLAT	330
CB16S	36	CUTOFF	FLAT	370
CB16S	42	CUTOFF	FLAT	410
CB16S	24	CUTOFF	PYRM	340
CB16S	36	CUTOFF	PYRM	380
CB16S	42	CUTOFF	PYRM	420

**LAMP/BALLAST**

50MH	50 watt metal halide 120/208/240/277 volt ballast. Use medium base, ED-17 lamp.
70MH	70 watt metal halide 120/208/240/277 volt ballast. Use medium base, ED-17 lamp.
100MH	100 watt metal halide 120/208/240/277 volt ballast. Use medium base, ED-17 lamp.
150PSMH	Pulse start metal halide 120/208/240/277 volt ballast. Use medium base, ED-17 lamp.
50HPS	50 watt high pressure sodium 120/277 volt ballast. Use medium base, ED-17 lamp.
70HPS	70 watt high pressure sodium 120/208/240/277 volt ballast. Use medium base, ED-17 lamp.
100HPS	100 watt high pressure sodium 120/208/240/277 volt ballast. Use medium base, ED-17 lamp.
150HPS	150 watt high pressure sodium 120/208/240/277 volt ballast. Use medium base, ED-17 lamp.
54LED-WW	54 light emitting diode array (55 watt). Warm white (3500K). IES Type 5. 120 thru 277 volt.
54LED-BW	54 light emitting diode array (55 watt). Bright white (5100K). IES Type 5. 120 thru 277 volt.

*All ballasts are factory wired for 277 volts, unless specified. Lamps not included (except LED options). All applicable ballasts are EISA compliant.*

**CONCRETE FINISH**

MSB	Medium sandblast, natural color finish
AGR	Exposed aggregate finish

**GRILL COLOR**

All standard and premium AAL colors available.  
 For RAL and custom colors, please submit a 4-digit RAL number or color chip for custom colors.

**OPTIONS**

HSS	House side shield -180°
RBC	A single gang junction box, cast in place, weatherproof cover only. Consult factory for location.
Colored Concrete	Based on Davis colors. For custom color and aggregate, customer must provide aggregate, sand, and colorant.

**MOUNTING**

INT	Internal mounting
EXT	External mounting

# 18" Round

## CONTEMPORARY CONCRETE BOLLARDS

EXAMPLE	BOLLARD	OAH	GRILL	TOP STYLE	LAMP/BALLAST	CONCRETE FINISH	GRILL COLOR	OPTIONS	MOUNTING
	CB18R	29	CUTOFF	DOME	100MH	AGR	BRM	HSS	INT

BOLLARD	OAH (inches)	GRILL	TOP STYLE	WT (lbs.)
CB18R	24	CUTOFF	FLAT	280
CB18R	36	CUTOFF	FLAT	310
CB18R	42	CUTOFF	FLAT	340
CB18R	29	CUTOFF	DOME	300
CB18R	41	CUTOFF	DOME	330
CB18R	47	CUTOFF	DOME	360
CB18R	24	HORZ	FLAT	280
CB18R	36	HORZ	FLAT	310
CB18R	42	HORZ	FLAT	340
CB18R	29	HORZ	DOME	300
CB18R	41	HORZ	DOME	330
CB18R	47	HORZ	DOME	360
CB18R	24	VERT	FLAT	280
CB18R	36	VERT	FLAT	310
CB18R	42	VERT	FLAT	340
CB18R	27	VERT	DOME	300
CB18R	39	VERT	DOME	330
CB18R	45	VERT	DOME	360

### LAMP/BALLAST

50MH	50 watt metal halide 120/208/240/277 volt ballast. Use medium base, ED-17 lamp.
70MH	70 watt metal halide 120/208/240/277 volt ballast. Use medium base, ED-17 lamp.
100MH	100 watt metal halide 120/208/240/277 volt ballast. Use medium base, ED-17 lamp.
150PSMH	Pulse start 150 watt metal halide 120/208/240/277 volt ballast. Use medium base, ED-17 lamp.
50HPS	50 watt high pressure sodium 120/277 volt ballast. Use medium base, ED-17 lamp.
70HPS	70 watt high pressure sodium 120/208/240/277 volt ballast. Use medium base, ED-17 lamp.
100HPS	100 watt high pressure sodium 120/208/240/277 volt ballast. Use medium base, ED-17 lamp.
150HPS	150 watt high pressure sodium 120/208/240/277 volt ballast. Use medium base, ED-17 lamp.
72LED-WW	72 light emitting diode array (74 watt). Warm white (3500K). IES Type 5. 120 thru 277 volt.
72LED-BW	72 light emitting diode array (74 watt). Bright white (5100K). IES Type 5. 120 thru 277 volt.

*All ballasts are factory wired for 277 volts, unless specified. Lamps not included (except LED options). All applicable ballasts are EISA compliant.*

### CONCRETE FINISH

MSB	Medium sandblast, natural color finish
AGR	Exposed aggregate finish

### GRILL COLOR

All standard and premium AAL colors available for grill.  
For RAL and custom colors, please submit a 4-digit RAL number or color chip for custom colors.

### OPTIONS

HSS	House side shield -180°
RBC	A single gang junction box, cast in place, weatherproof cover only. Consult factory for location.
Colored Concrete	Based on Davis colors. For custom color and aggregate, customer must provide aggregate, sand, and colorant.

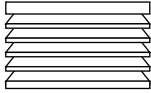
### MOUNTING

INT	Internal mounting
EXT	External mounting

AAL's Contemporary Concrete Bollards are maintenance-free due to their inherent strength and natural finishes. The reinforced concrete bases and tops, matched with cast aluminum grills, make the bollards virtually indestructible. These bollards are highly resistant to abuse and inadvertent damage from grounds keeping. In addition, the concrete surfaces are treated with an anti-graffiti coating to minimize damage from vandals.

## Grill Styles

**Cutoff \***



**Horizontal**



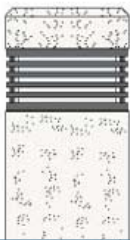
**Vertical**



\* 8"/203mm diameter or square for CB9 models. All others are same dimension as bollard.

## Top Styles

**Flat**



**Dome**

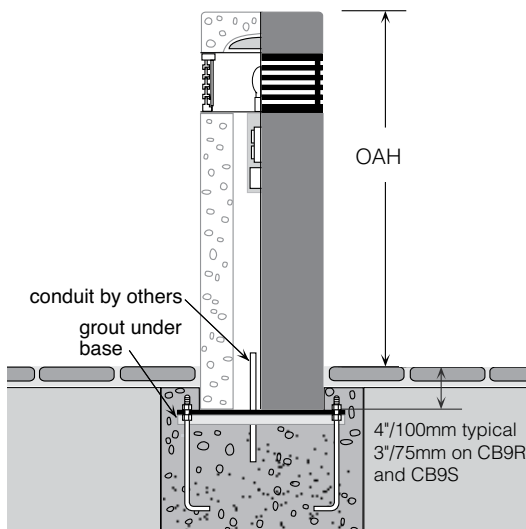


**Pyramid**

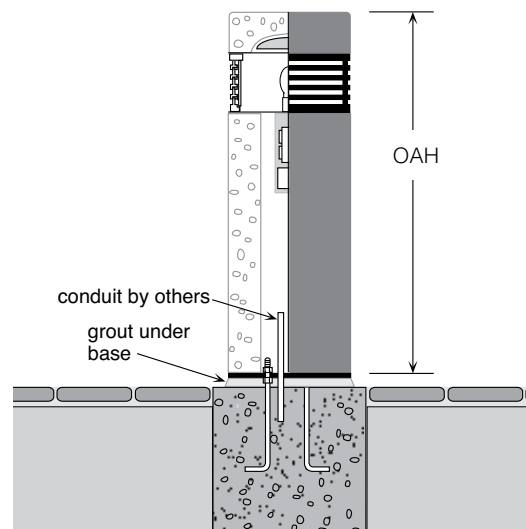


## Mounting

### Typical



**External Mounting**



**Internal Mounting**

(not available with the 9" round or 9" square bollard)

## Specifications

### CONCRETE BODY AND CAP

The body and caps are composed of precast concrete reinforced with an internal cage structure of steel. The concrete bodies are one-piece castings with a minimum wall thickness of three inches. All threaded inserts are welded to the steel reinforcing cage and cast in place. The base plate for anchoring is 1/4" hot dipped galvanized steel.

### GRILL

Grills are cast aluminum, minimum wall thickness of .250 inches. All castings are pure aluminum #356 alloy, free of any foreign material or porosity. Grills have cast-in-place, integral mounting lugs for attachment to the concrete base. The inner lens is sealed to the grill frame. HID cutoff models have a clear DR acrylic lens. All other HID models have an opal DR acrylic lens. CB9 models with LED have lightly diffused acrylic lens. CB12, CB16, and CB18 models with LED have an opal acrylic lens. The grill assembly has a silicone gasket on the top and bottom for weather tight operation. Recessed stainless steel screws are loosened to remove the top cap for relamping. For HID models, upper reflector is installed on the inside of all top caps for optimum luminaire efficiency.

### CUTOFF

Models with cutoff grill provide IES cutoff classification meaning less than 2.5% of light is emitted above 90° horizontal.

### ELECTRICAL MODULE

The electrical module consists of the ballast module and lamp housing. All housing parts are aluminum with stainless steel hardware. The ballast module is prewired on an aluminum strap mounted to the underside of the lamp housing. The electrical module is silicone gasketed for weather tight operation. HID ballasts are high power factor, rated for -30°C starting. Ballasts are wired at the factory for 277 volts, unless specified. LED components are 120 thru 277 volt. LED constant current driver operates at 350mA.

### FINISH

Concrete surface finish is natural concrete with a medium sandblast etch or exposed aggregate. Medium sandblast finish includes a clear anti-vandal sealer.

Grill finish consists of a five stage pretreatment regimen with a polymer primer sealer, oven dry off and top coated with a thermoset super TGIC polyester powder coat finish. The finish shall meet the AAMA 605.2 performance specification which includes passing a 3000 hour salt spray test for corrosion resistance.

### EISA COMPLIANCE

AAL is committed to complying with U.S. EISA requirements. All applicable products manufactured for sale in the United States after January 1, 2009, meet EISA requirements.

### CERTIFICATION

All bollards shall be listed with ETL for outdoor, wet location use, UL1598 and Canadian CSA Std. C22.2 no.250.

### WARRANTY

Fixture is warranted for three years. Ballast components carry the ballast manufacturer's limited warranty. Any unauthorized return, repair, replacement or modification of the Product(s) shall void this warranty. This warranty applies only to the use of the Product(s) as intended by AAL and does not cover any misapplication or misuse of said Product(s), or installation in hazardous or corrosive environments. Contact AAL for complete warranty language, exceptions, and limitations.

# CONTEMPORARY CONCRETE BOLLARDS



Architectural Area Lighting  
16555 East Gale Ave. | City of Industry | CA 91745  
T 626.968.5666 | F 626.369.2695 | [www.aal.net/aal/cb109.html](http://www.aal.net/aal/cb109.html)  
© 2009 Architectural Area Lighting | Made in the USA | CB 1009