

# PIVOT<sup>®</sup>

Precision Floodlighting and Indirect Lighting



ARCHITECTURAL AREA LIGHTING

AAL

*"to create, inspire and nurture  
EXCELLENCE in each other"*



### Energy Efficiency

The Pivot uses electrical energy in the most efficient possible way. The reflectors are designed to direct the illumination to the surface with no stray light which translates into wasted energy. A wide variety of lamp and ballast systems gives you more energy efficient design choices. The result is more light with less energy consumption.

### Longevity

AAL manufactures all its products to have a life span as long as the building or space they illuminate. The primary material used for all our products is aluminum to resist corrosion and the need for maintenance. Aluminum will not need the periodic refinishing required of steel products that will eventually rust and corrode. All our internal parts and fasteners are made of aluminum or stainless steel. The lamp enclosures are kept dust free and dry to prevent light degradation and maintain a high level of energy efficiency.

### Sustainability

AAL develops our products with recycling and resource management in mind. We recycle all incoming packaging materials. Our products are shipped in easy to recycle packaging materials. Our state of the art finishing system uses eco friendly cleansing and preparation chemicals that are harmless enough to send to the drain without further processing. Our powder coating process eliminates the release of volatile chemicals into the atmosphere. The Pivot, like all AAL products, is made with renewable materials such as aluminum and stainless steel.

### Contents

Applications	7
Optics	8
Design Details	9
Fixture Modules	10
Lamps	11
Design Flexibility	12
Mounting Options	13
Pendant	15
Order Information	18
Dimensions	22
Specifications	24
Photometry	25



AAL is a registered continuing education provider.

Pivot® is a registered trademark of Architectural Area Lighting.  
©2009 Architectural Area Lighting

# PIVOT<sup>®</sup>

Linear sources with asymmetric optics for individual and continuous rows



# PIVOT

interior



PVT5-96-HBC

PVT5HO-36-HBL

exterior



# design with light

Three precision instruments designed to  
address all floodlighting tasks



## PIVOT

- Asymmetric, forward throw optics
- High efficiency fluorescent lamps
- Single or continuous rows
- Dimming

### Uses:

- Wash or graze surfaces
- Sign lighting
- Uplight ceilings
- Continuous perimeter lighting



## CYPHER

- Wide, even illumination
- Refractor plus reflector optical systems
- T-6, ED-17 and ED-28 lamps 70 to 250 watts
- Electronic and pulse start ballasts

### Uses:

- Indirect lighting
- Wash wash and graze surfaces
- Wide spacing for lighting broad surfaces
- Sign lighting



## OCULUS

- High intensity axial beam optics
- Field adjustable beam pattern
- Round or elliptical shape with lenses
- T6 + ED-17 metal halide lamps
- LED

### Uses:

- Highlight architectural features
- Ground, wall, or ceiling mounting
- Scallop surfaces

ARCHITECTURAL AREA LIGHTING

The Pivot is designed for interior as well as exterior use.



Indirect lighting



Accent walls



Entrances



Pathways

The selection of mounting options allow for an endless array of applications.



Wall washing



Sign lighting



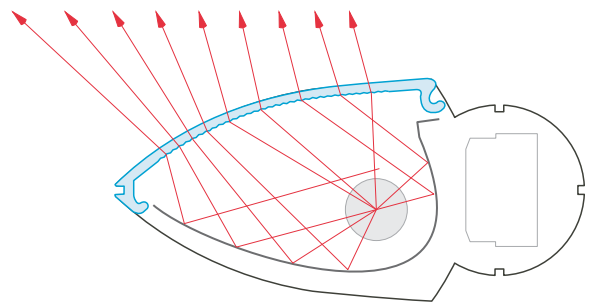
Wall grazing



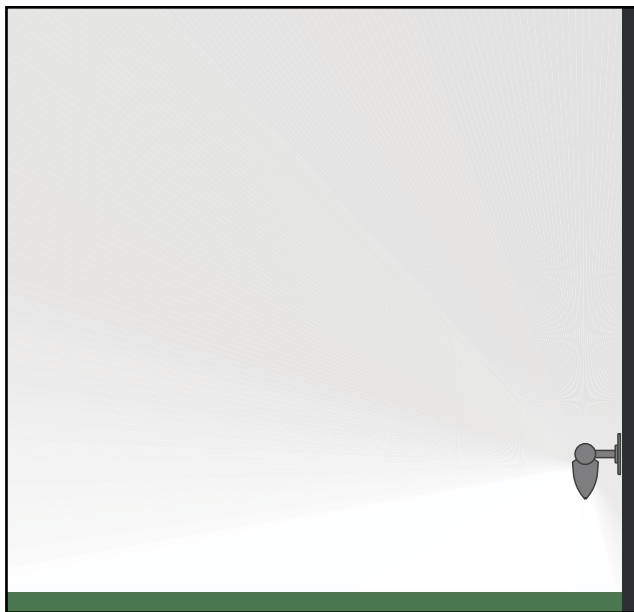
Perimeter highlighting



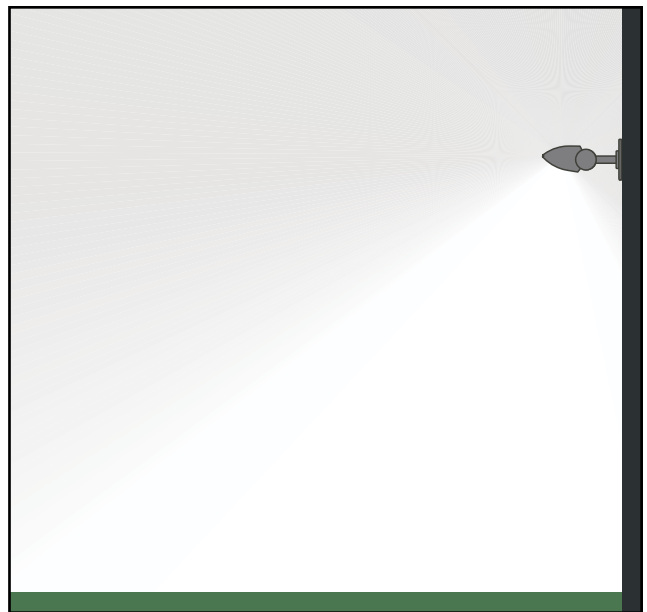
The Pivot combines an asymmetric reflector for efficiency, with a refractor lens to eliminate streaks and striations on the illuminated surfaces.

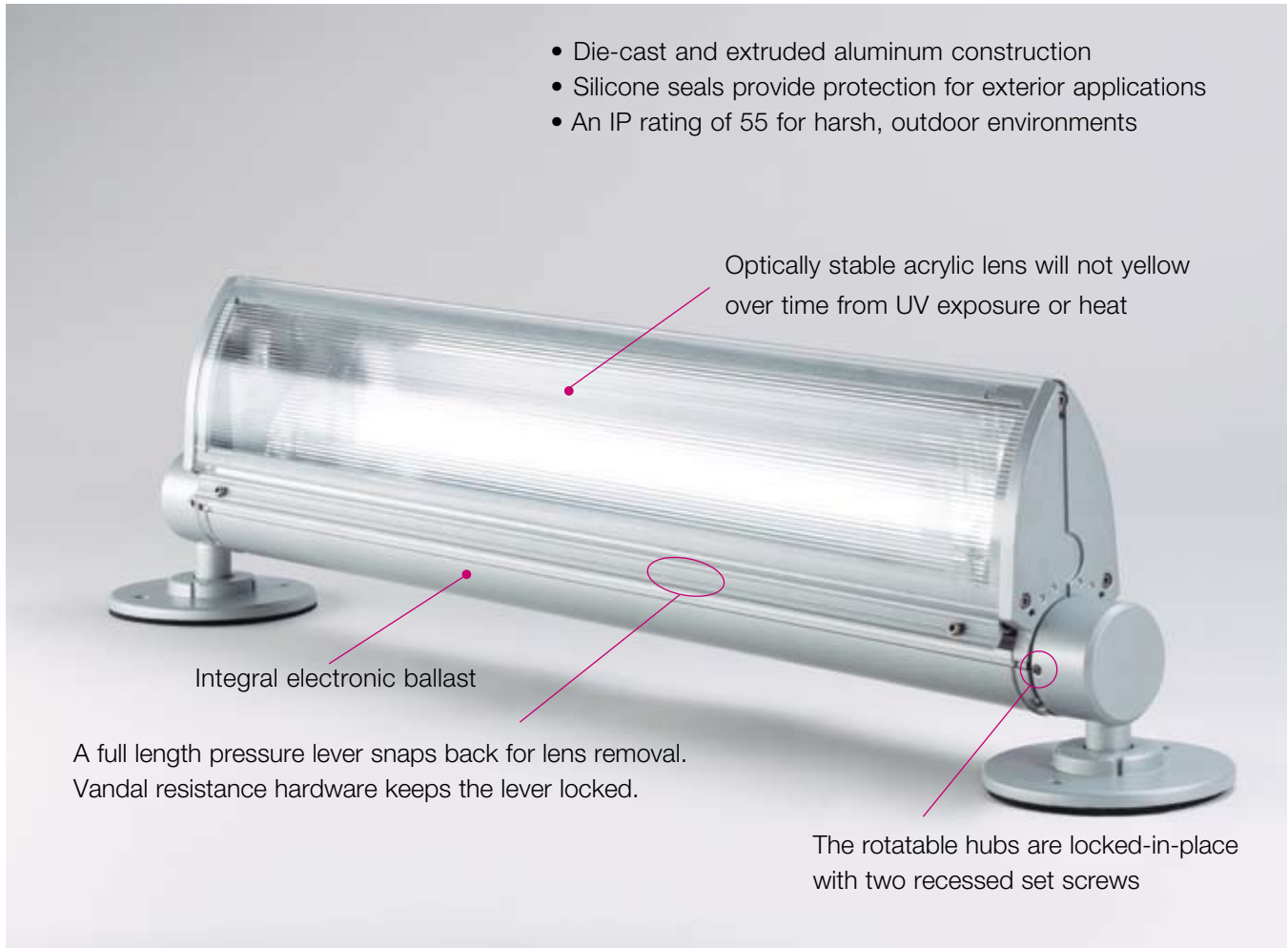


For close-to-wall applications, the lens is pointed at the surface in a horizontal orientation for an even wash of light.



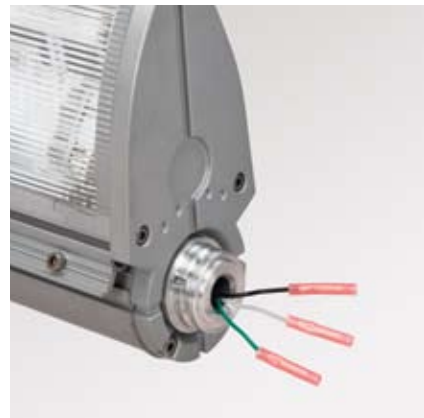
For deeper setbacks, the lens is aimed parallel to the surface for wall washing and indirect lighting applications.





The hubs allow the fixture to rotate for aiming or close to the surface orientation for wall grazing.

Continuous rows are UL listed for through wiring. Butt connectors on both ends of the fixture allow for easy installation of through wiring.



The fixtures can be used in any combination of lengths for individual and continuous row applications

## Model

24 - Wt: 9.25 lbs.



36 - Wt: 10.25 lbs.



48 - Wt: 13.25 lbs.



96 - Wt: 27.25 lbs.



*96" configuration is not available with HBL or HBLX*

LAMP TYPES with wattage and (lumens) shown

T5	T5H0	T8	PLL
14 watts (1350)	24 watts (2000)	N/A	50 watts (4000)
			55 watts (4800)
21 watts (2100)	39 watts (3500)	25 watts (2080)	N/A
28 watts (2900)	54 watts (5000)	32 watts (2850)	2 x 50 watts (8000)
			2 x 55 watts (9600)
2 x 28 watts (5800)	2 x 54 watts (10,000)	2 x 32 watts (5700)	4 x 50 watts (16,000)
			4 x 55 watts (19,200)

Electronic (line voltage) dimming ballasts are available for some lamp types and wattages. Please contact AAL for current availability.

The optional shield conceals the lens and can be used in an up or down orientation. Use the hood for individual fixtures and in continuous rows.



PVT8-24-HBS

The universal hub design allows for all fixtures to be configured as single fixtures or in continuous rows

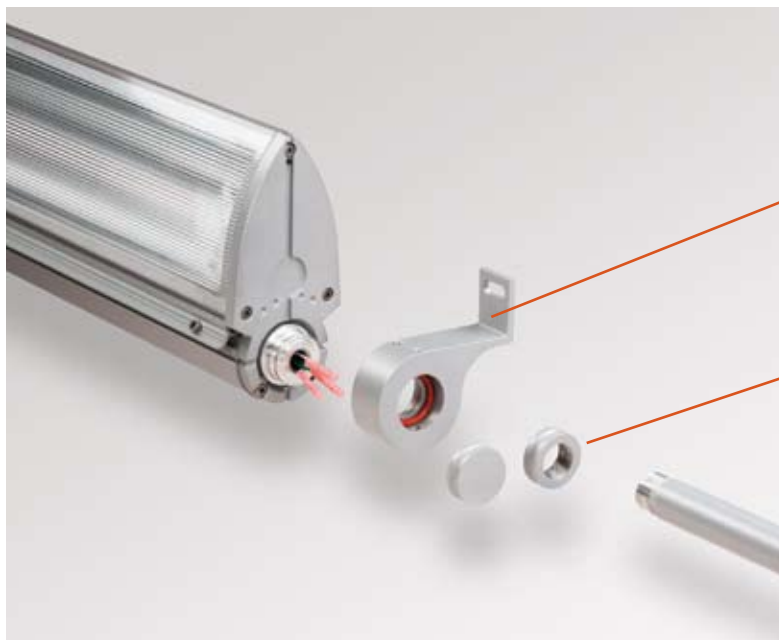
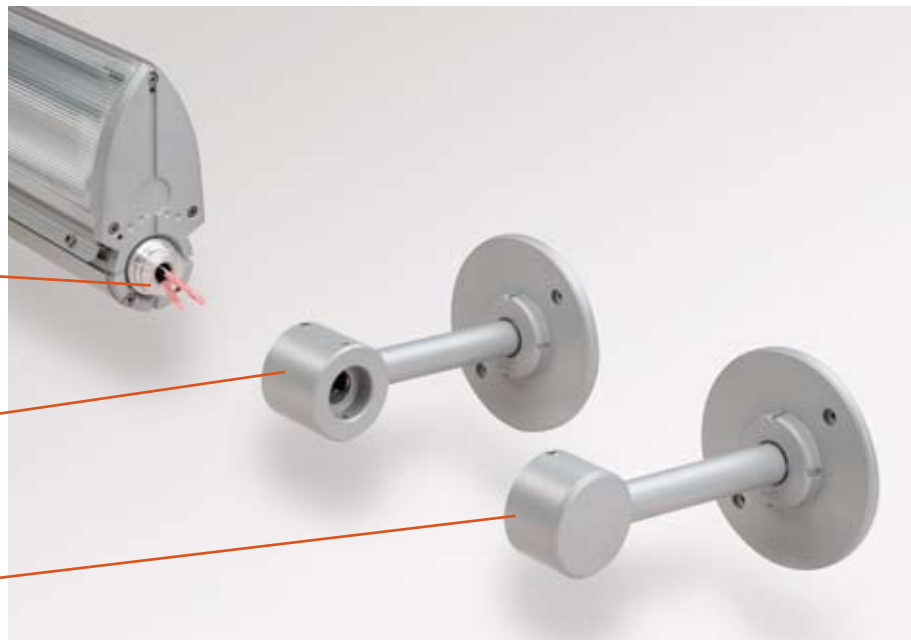
- All hubs and arm models allow for rotation of the fixture
- No shadows between fixtures for a continuous row of light
- UL approved for through wiring

## Arms and Wall Plates

Wire leads extend out from each end with butt connectors

Intermediate arms and hubs for connecting two or more fixtures in a continuous row

End arm and hub for single fixtures or the ends of a continuous row



## Arm Bracket

The bracket can be used as an intermediate bracket (SHAX) for continuous rows, or at each end of the fixture or row (SHA)

The SHA set of brackets are supplied with a solid cap and threaded cap for connecting to 1/2" conduit



---

## Close to Wall Arm Bracket

200° rotation

**SHA** - Set of 2 arms with end caps  
(threaded, solid)

**SHAX** - One intermediate arm

- The SHAX can be used in combination with the HB arms only - same distance from wall



---

## Very Short Arm and Wall Plate

200° rotation

**HB** - Set of 2 end hubs and wall plates

**HBX** - One intermediate hub and a wall plate

- Can be used in combination with SHX arms same distance from wall (for continuous rows)



---

## Short Arm and Wall Plate

360° rotation

**HBS** - Set of 2 end hubs and wall plates

**HBSX** - One intermediate hub and a wall plate  
(for continuous rows)



---

## Long Straight Arm and Wall Plate

360° rotation

**HBL** - Set of 2 end hubs and wall plates

**HBLX** - One intermediate hub and a wall plate  
(for continuous rows)

*Not available with 96" configuration*



---

## Curved Arm and Wall Plate

360° rotation

**HBC** - Set of 2 end hubs and wall plates

**HBCX** - One intermediate hub and a wall plate  
(for continuous rows)

# PIVOT



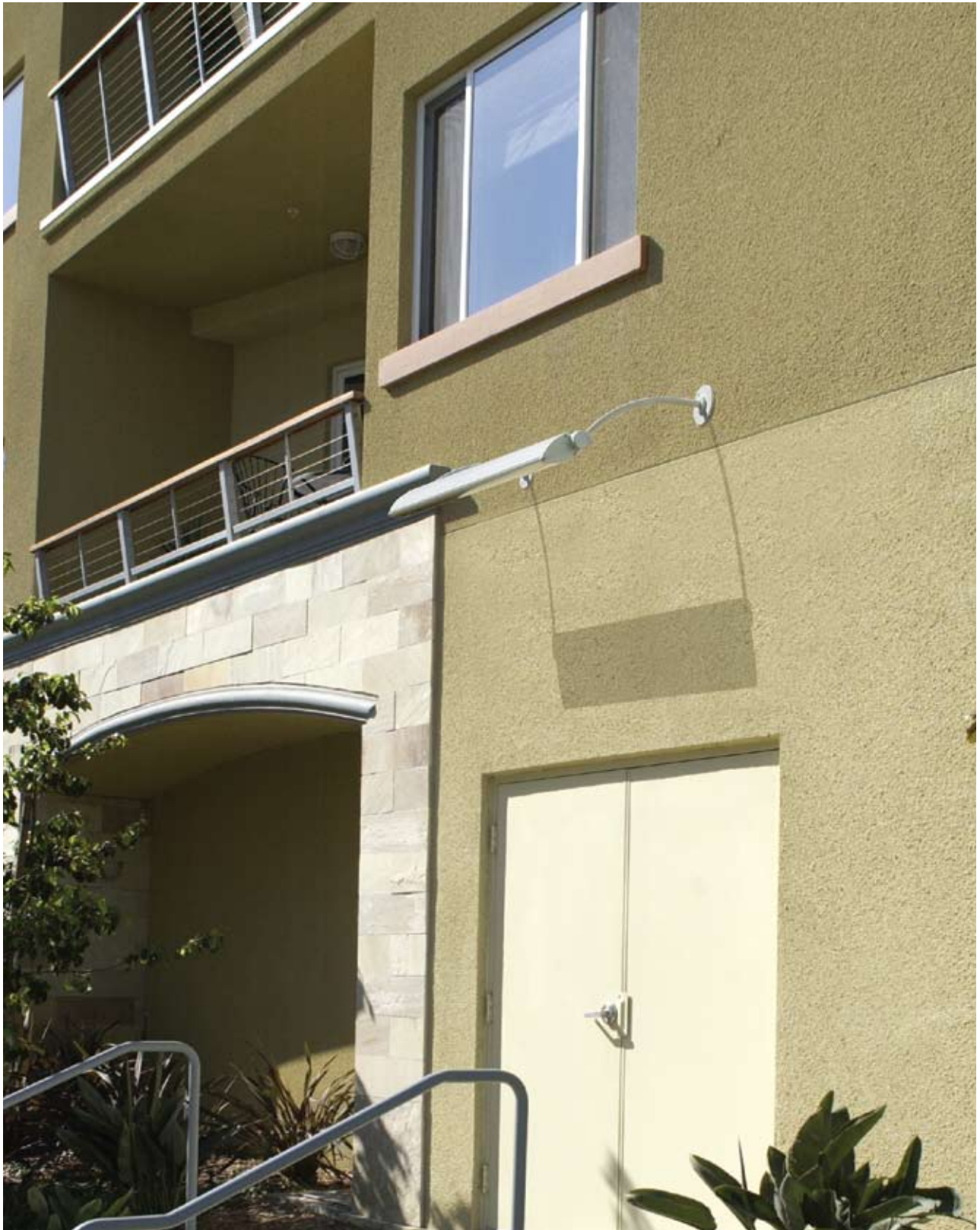
PVT5H0-36

The Pivot Pendant expands the utility and application versatility for both interior and exterior applications.

The center hub accepts two Pivots up to eight feet in length. The hub serves as an integral wireway with access covers on each end.



# PIVOT



PVT5-24-HBC

PRECISION FLOODLIGHTING  
INDIRECT LIGHTING



PVPLL-96-HB



PVT8-36-HBS



PVT5-36-HB

# PIVOT Ordering Information

## 1 LINEAR FIXTURES FOR INDIVIDUAL OR CONTINUOUS ROW MOUNTING

---

### T5 FLUORESCENT LAMPS

<b>PVT5-24</b>	14 watt lamp, 26.5"/667mm long housing, 120 thru 277 volt ballast
<b>PVT5-36</b>	21 watt lamp, 38"/965mm long housing, 120 thru 277 volt ballast
<b>PVT5-48</b>	28 watt lamp, 49.75"/1265mm long housing, 120 thru 277 volt ballast
<b>PVT5-96</b>	Two 28 watt lamp, 98.75"/2508mm long housing, 120 thru 277 volt ballast

### T5-HO HIGH OUTPUT FLUORESCENT LAMPS

<b>PVT5HO-24</b>	24 watt lamp, 26.5"/667mm long housing, 120 thru 277 volt ballast
<b>PVT5HO-36</b>	39 watt lamp, 38"/965mm long housing, 120 thru 277 volt ballast
<b>PVT5HO-48</b>	54 watt lamp, 49.75"/1265mm long housing, 120 thru 277 volt ballast
<b>PVT5HO-96</b>	Two 54 watt lamp, 98.75"/2508mm long housing, 120 thru 277 volt ballast

### T8 FLUORESCENT LAMPS

<b>PVT8-36</b>	25 watt lamp, 38"/965mm long housing, 120 thru 277 volt ballast
<b>PVT8-48</b>	32 watt lamp, 49.75"/1265mm long housing, 120 thru 277 volt ballast
<b>PVT8-96</b>	Two 32 watt lamp, 98.75"/2508mm long housing, 120 thru 277 volt ballast

### PL-L HIGH OUTPUT TWIN TUBE FLUORESCENT LAMPS

<b>PVPLL-24</b>	50 or 55 watt lamps, 26.5"/667mm long housing, 120 thru 277 volt ballast
<b>PVPLL-48</b>	Two 50 or 55 watt lamps, 49.75"/1265mm long housing, 120 thru 277 volt ballast
<b>PVPLL-96</b>	Four 50 or 55 watt lamps, 98.75"/2508mm long housing, 120 thru 277 volt ballast

*All ballasts are factory wired for 277 volts, unless specified. Lamps not included.  
All applicable ballasts are EISA compliant.*

## 2 COLOR

---

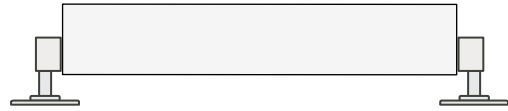
All standard and premium AAL colors available.

For RAL and custom colors, please submit a 4-digit RAL number or color chip for custom colors.

#### Hub Configurations

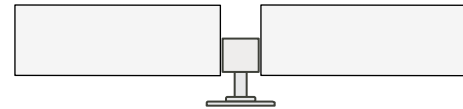
End hub(s) Set of two hubs for a single fixture or to terminate the ends of a continuous row

---



Intermediate hub One hub to connect two inline fixtures in a continuous row

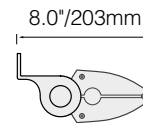
---



#### Cotinuous Row Configurations

**Bracket Arm** 200° rotation  
**SHA** Set of 2 brackets with one solid and one 1/2" NPS threaded end cap, used to terminate the ends of a continuous row

---

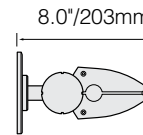


**SHAX** One intermediate bracket. Can be used in combination with the HB arms.

---

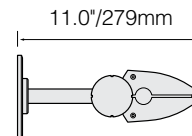
**Very Short Arms** 200° rotation  
**HB** Set of 2 end hubs and wall plates  
**HBX** One intermediate hub and wall plate

---



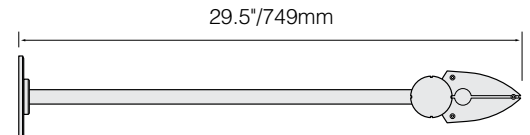
**Short Arms** 360° rotation  
**HBS** Set of 2 end hubs and wall plates  
**HBSX** One intermediate hub and wall plate

---



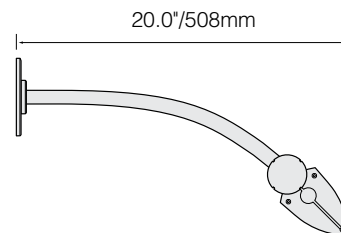
**Long Straight Arms** 360° rotation  
**HBL** Set of 2 end hubs and wall plates  
**HBLX** One intermediate hub and wall plate  
**Not available with 96" configuration**

---



**Curved Arms** 360° rotation  
**HBC** Set of 2 end hubs and wall plates  
**HBCX** One intermediate hub and wall plate

---



## Pendant Mount

**TPN-U** Fixture pointed up

**TPN-D** Fixture pointed down

**TPN-S** Fixture pointed up + down

An 8"/200mm center hub to pendant mount two (2) individual fixtures of any length. Fixtures can be oriented for uplight or downlight. All wiring is concealed within the hub. The stem is 48"/1220mm long. The ceiling canopy includes an internal ball and socket assembly. The hub, stem and canopy are painted to match the fixture. *Shown with shield - SLD*



## 4 OPTIONS FOR INDIVIDUAL AND CONTINUOUS ROW FIXTURES

**EFW** Optional end cap(s) if an intermediate hub is used at the end of a row. Two caps are provided; one solid and one with 1/2" NPS threads. The cap is sealed with an o-ring for a water tight connection.



**LVR** Internal, low brightness aluminum louver. Available for all fixture lengths.



**SLD** External lens shield. Extruded aluminum painted to match the fixture. Available for individual fixtures, and continuous rows.



# PIVOT Ordering Information

## SINGLE FIXTURES

To order a single fixture, follow the order sequence as shown below. Items 1 through 3 must be included.

### EXAMPLES OF COMPLETE ORDERING INFORMATION

1 Catalog No.	2 Color	3 Mounting	4 Options
PVT5H0-48	BLK	HBL	LVR
PVPLL-96	WHT	HB	DIM
PVT5-36	MAL	SHA	SLD

## CONTINUOUS ROWS WITH ARMS AND HUBS - All fixtures can rotate

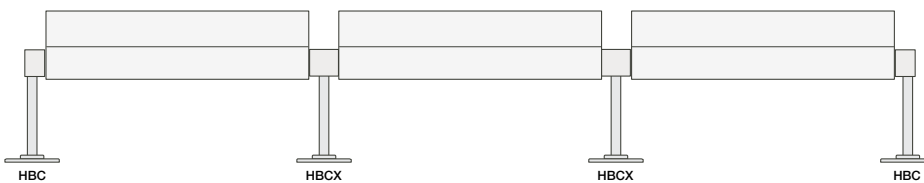
### EXAMPLES OF COMPLETE ORDERING INFORMATION

	1 Catalog No.	2 Color	3 Mounting	4 Options
Example 1	3-PVTPLL-96	WHT	HBC, 2-HBCX	•
Example 2	4-PVT5-96	MAL	HBS, 3-HBSX	•
Example 3	4-PVT5HO-48	BLK	HB, 3-SHAX	4-SLD48

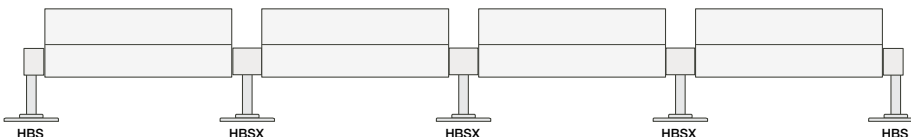
For continuous row configuration, follow the sequence as shown below. Items 1 through 3 must be included for all configurations.

- Always configure the order with: *one end set*, and *intermediate assemblies* (equal to the total number of fixtures in the run minus one).
- Note: a row can be a mix of up or down orientations. Use any combination of fixture lengths.

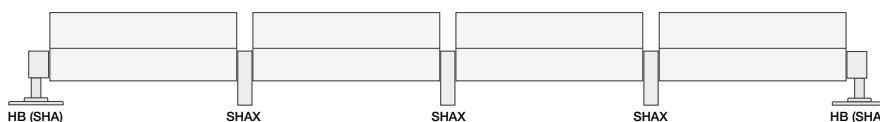
**Example 1:** In this example, the 3 fixture sections are joined and mounted using the curved arms. The ends of the run use one HBC (a set of two hubs), and 2 HBCX intermediate hubs to join the sections.



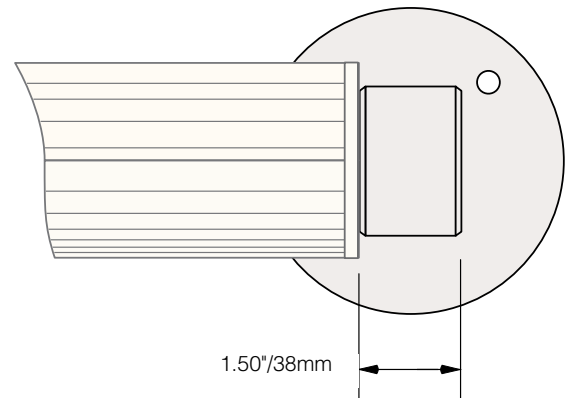
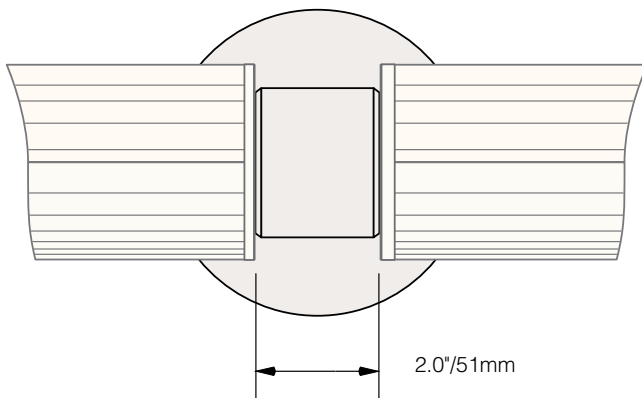
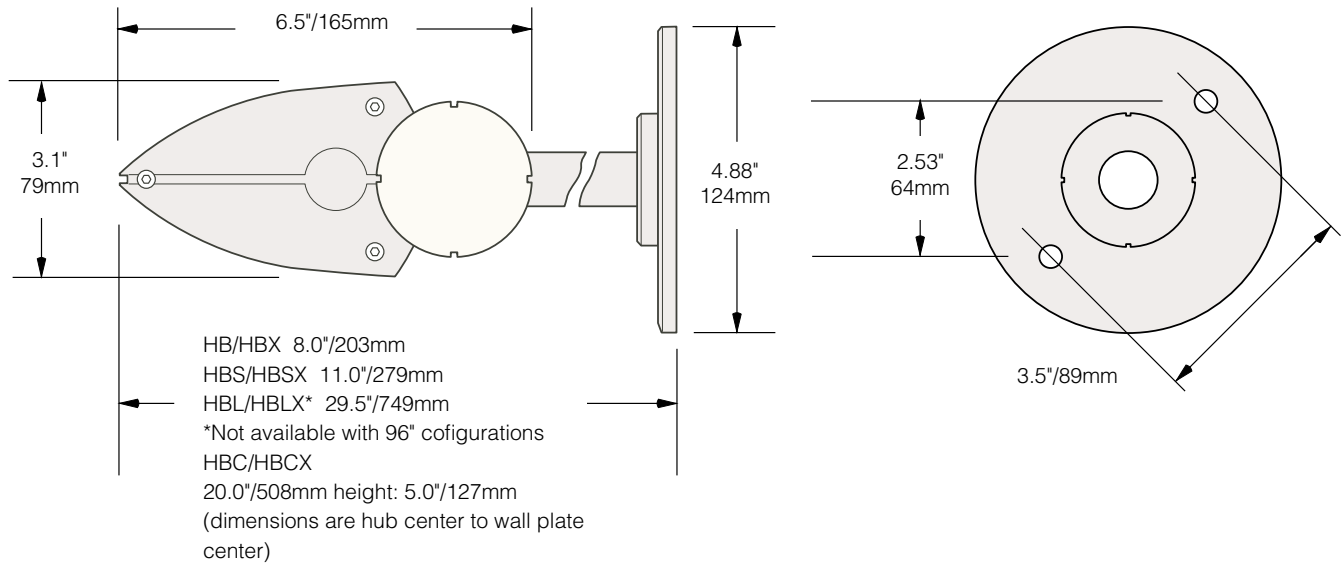
**Example 2:** In this example, the 4 fixture sections are joined and mounted using the short straight arms. The ends of the run use one HBS (a set of two hubs), and 3 HBSX intermediate hubs to join the sections.



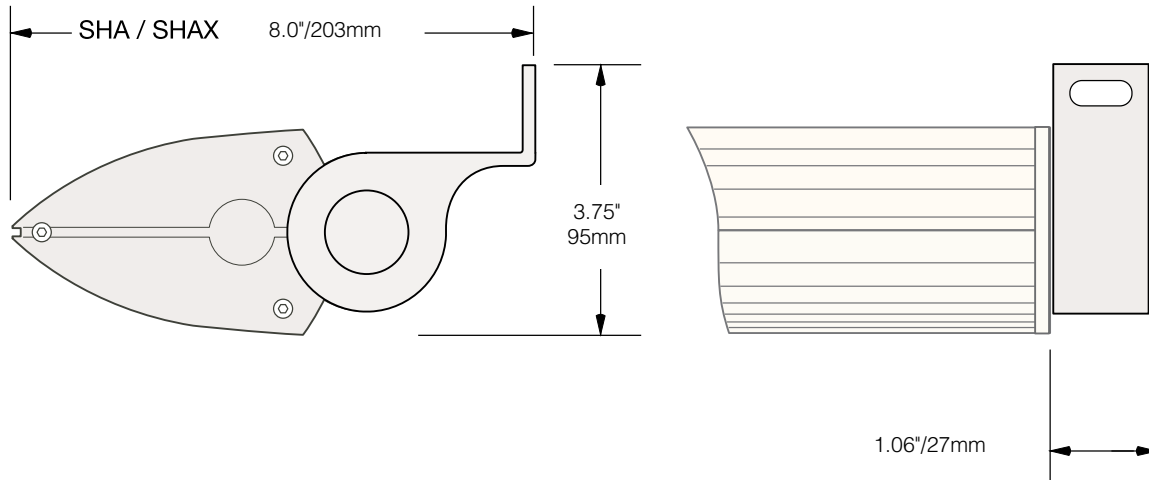
**Example 3:** In this example, the 4 fixture sections are joined and mounted using the SHA intermediate arms which attach to the surface without the round j-box cover. The ends of the run use one HB (a set of two hubs), and 3 SHAX intermediate hubs to join the sections. The SHA could have been at the end of the run instead of the HB arms.



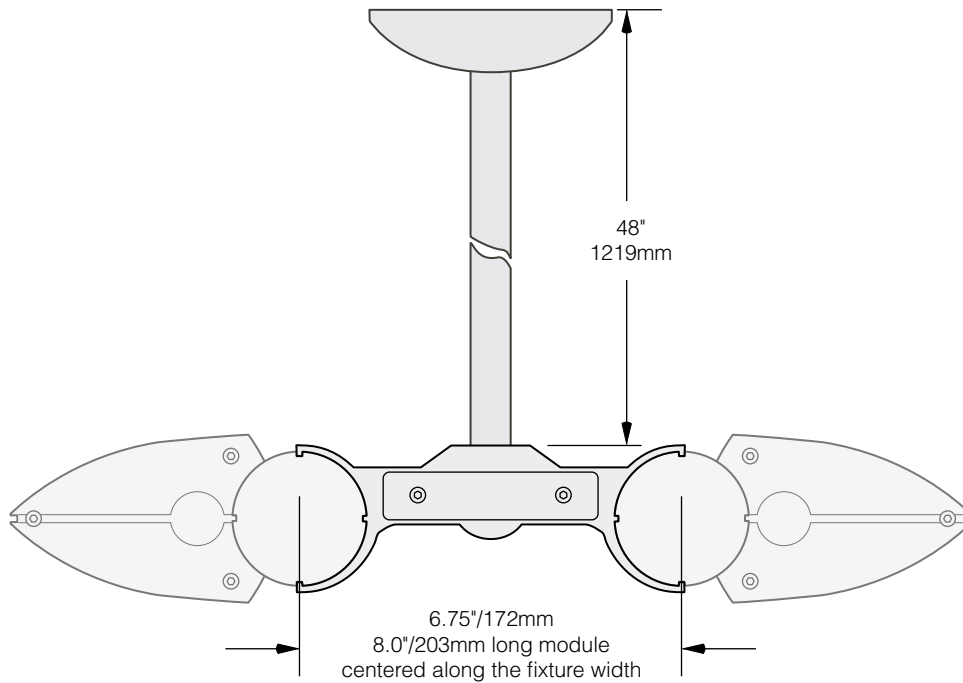
## Hubs with Arms and Wall Plates



## Bracket Arm



## Pendant-TPN Option



## HOUSING

The lamp housing is extruded 6061 T-6 aluminum with gasketed, die-cast aluminum end plates. The lens is molded optical grade acrylic with transverse prisms. The lens is sealed with a silicone gasket. The lens is secured to the housing with a full length, rotating lever bar that locks the lens for a water tight seal. To remove the lens, the lever is pushed back to release. For tamper resistance, the lever is locked with two captive cap nuts that must be loosened to allow the lever to rotate. The electronic ballast is integral and accessed by removing the reflector assembly. The reflector is die formed specular aluminum. All hardware is stainless steel.

The ballast is mounted to the inside of the housing. For dimming applications, contact the factory for availability. All ballasts are high power factor class P, electronic, sound rated A Type 1. -18°C minimum starting temperature.

## MOUNTING

The rotating hubs are solid machined aluminum with extruded 6061 T-6 aluminum arms and cast aluminum wall cover plates. The hubs can be rotated by loosening two hex head set screws on each hub. The connections are sealed with an internal silicone o-ring. The internal through wiring is 18 AWG wire and shall extend on both ends of the fixture with butt connectors for easy termination.

The pendant mount is a two-piece extruded aluminum module with an access plate on each end. The fixture wiring is inside the pendant module and rated for wet location use.

## FINISH

Fixture finish consists of a five stage pretreatment regimen with a polymer primer sealer, oven dry off and top coated with a thermoset super TGIC polyester powder coat finish. The finish shall meet the AAMA 605.2 performance specification which includes passing a 3000 hour salt spray test for corrosion resistance.

## EISA COMPLIANCE

AAL is committed to complying with U.S. EISA requirements. All applicable products manufactured for sale in the United States after January 1, 2009, meet EISA requirements.

## CERTIFICATION

The fixture shall be listed with ETL for outdoor, wet location use, UL1598 and Canadian CSA Std. C22.2 no250. IP=55.

## WARRANTY

Fixture is warranted for three years. Ballast components carry the ballast manufacturer's limited warranty. Any unauthorized return, repair, replacement or modification of the Product(s) shall void this warranty. This warranty applies only to the use of the Product(s) as intended by AAL and does not cover any misapplication or misuse of said Product(s), or installation in hazardous or corrosive environments. Contact AAL for complete warranty language, exceptions, and limitations.



The values shown are in initial footcandles. Discount values for light losses due to voltage, temperature and atmospheric variations which affect light output. Mounting height is to the lamp center. Testing is performed by a certified independent laboratory. Photometry is available in IES formatted files at [www.aal.net](http://www.aal.net).

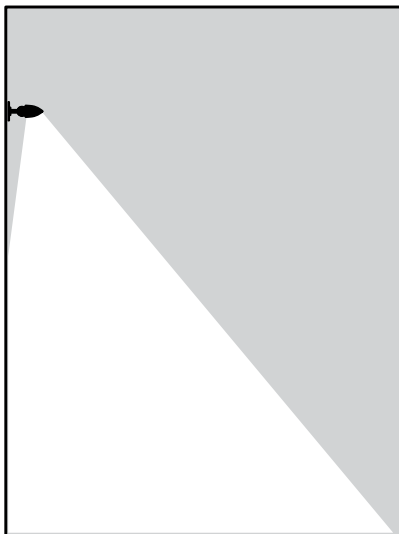
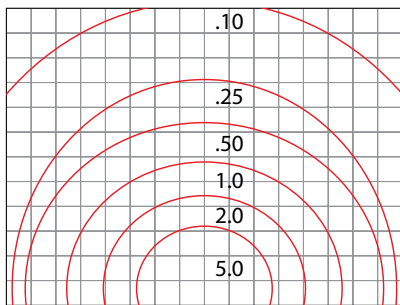
### WALL MOUNTED

PVPLL-48  
Two 55 watt PL-L lamps  
12'/3.7m mounting height

---

Footcandles on the ground

ONE GRID SQUARE EQUALS FOUR FEET



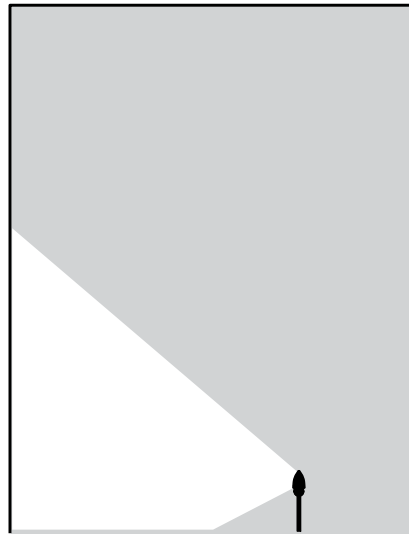
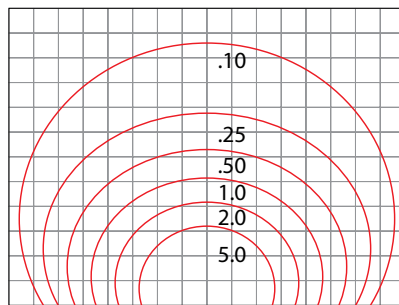
### GROUND MOUNTED

PVT5H0-96  
Two 54 watt T5HO lamps  
18"/457mm mounting height  
4'/1.2m set back from surface

---

Footcandles on the wall

ONE GRID SQUARE EQUALS FOUR FEET



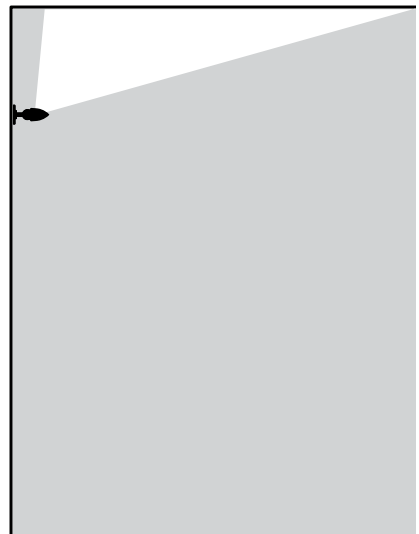
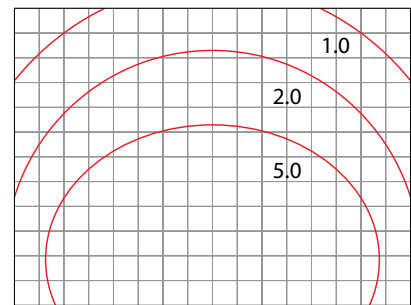
### WALL MOUNTED-INDIRECT

3-PVPLL-48  
Six 55 watt PL-L lamps  
9'/2.7m mounting height  
3'/.9m from the ceiling

---

Footcandles at 3 feet above floor

ONE GRID SQUARE EQUALS FOUR FEET



# PIVOT<sup>®</sup>



Architectural Area Lighting  
16555 East Gale Ave. | City of Industry | CA 91745  
T 626.968.5666 | F 626.369.2695 | [www.aal.net/aal/pv110.html](http://www.aal.net/aal/pv110.html)

© 2010 Architectural Area Lighting | Design Patents | Made in the USA | PIVOT 110