

VBN/VBU

Vonda™ Bollard

BOLLARDS



FEATURES

- Features patented Moldcast optics
- Available with symmetrical (standard) or asymmetrical (with HSS) distribution
- EISA compliant
- Available in 13 standard colors with a polymer primer sealer

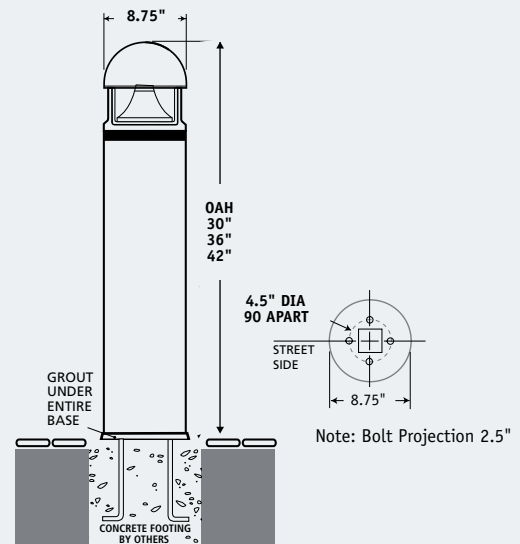
ORDERING INFORMATION

VBN/VBU - [] - [] - []

MODEL	LAMP/BALLAST	COLORS	OPTIONS
Vonda Bollard – No Uplight	50MH 50 watt metal halide 20/208/240/277 volt ballast. Use medium base, ED-17 lamp.	AWT Arctic White	DCR Decorative accent band (specify color)
VBN-30		BLK Black	FS1 Single fuse holder only. Fuse by others.
VBN-36	70MH 70 watt metal halide 20/208/240/277 volt ballast. Use medium base, ED-17 lamp.	MTB Matte Black	FS2 Double fuse holder only. Fuse by others.
VBN-42		DGN Dark Green	HSS House side shield, specify 90° or 180°
Vonda Bollard – With Uplight	100MH 100 watt metal halide 120/208/240/277 volt ballast. Use medium base, ED-17 lamp. VBN only.	VBN Verde Blue	LXN Polycarbonate lens
VBU-30		WRZ Weathered Bronze	TRH Tamper resistant hardware
VBU-36	35HPS 35 watt high pressure sodium 120 volt ballast only. Use medium base, ED-17 lamp.	BRM Metallic Bronze	6PT 6 post lens guard
VBU-42	50HPS 50 watt high pressure sodium 120/277 volt ballast. Use medium base, ED-17 lamp.	VBL Verde Blue	347V 347 volt ballast (120/277/347V). Not available for 35 watt and 50 watt.
		CRT Corten	
	70HPS 70 watt high pressure sodium 120/208 volt ballast. Use medium base, ED-17 lamp.	MAL Matte Aluminum	
		MDG Medium Grey	
	100HPS 100 watt high pressure sodium 120/208/240/277 volt ballast. Use medium base, ED-17 lamp. VBN only.	ATG Antique Green	
		LGY Light Grey	
	150HPS 150 watt high pressure sodium 120/208/240/277 volt ballast. Use medium base, ED-17 lamp. VBN only.	RAL/PREMIUM COLOR Provide a RAL 4 digit color number	
		CUSTOM COLOR Please provide a color chip for matching	

All ballasts are factory wired for 277 volts, unless specified. Lamps not included. All applicable ballasts are EISA compliant.

DIMENSIONS



VBN Series Vonda Bollard - No Uplight