

civicLantern™

*FULL CUTOFF*



ARCHITECTURAL AREA LIGHTING

# Ordering Information

# CIVIC LANTERN™

FULL CUTOFF

## FIXTURE

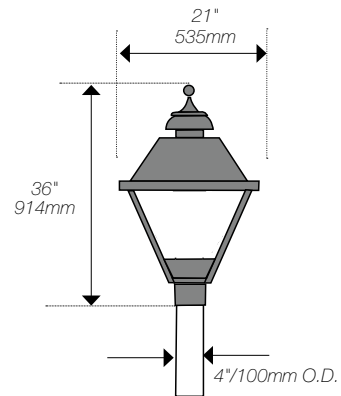
CLL-H2	Type 2 horizontal lamp (150 watt max)
CLL-H3	Type 3 horizontal lamp (150 watt max)
CLL-H4	Type 4 horizontal lamp (150 watt max)
CLL-H5	Type 5 horizontal lamp (150 watt max)

## LAMP/BALLAST

100MH	120/208/240/277 volt. Medium base, ED-17 lamp.
150PSMH	120/208/240/277 volt. Medium base, ED-17 lamp.
100HPS	120/208/240/277 volt. Medium base, ED-17 lamp.
150HPS	120/208/240/277 volt. Medium base, ED-17 lamp.

All fixtures prewired for 277 volts, unless specified. Lamps not included.

All applicable ballasts are EISA compliant



WT: 50 lbs.

EPA: 2.10

## OPTIONS

FCO	Full cutoff configuration. Flat glass lens. Horizontal optics only.
TA23	Tenon adapter slips over a 2 3/8"/60mm tenon by 4"/100mm long
TA3	Tenon adapter slips over a 3"/75mm tenon by 4"/100mm long
AD5	Tenon adapter, slips over a 5"/127mm O.D. pole
HSS	House side shield. Factory installed.
FS1	Single fusing. 120/277/347 volt. Specify voltage. Fuse by others.
FS2	Double fusing. 208/240/480 volt. Specify voltage. Fuse by others.
347V	347 volt ballast (120/277/347V)
480V	480 volt ballast
PCR	Photo control receptacle. At top of the housing. Photocell by others.

## COLOR

All standard AAL colors available. For RAL and custom colors, please submit a 4-digit RAL number or color chip for custom colors.

Please visit [www.aal.net](http://www.aal.net) for a complete listing of options available for the Civic Lantern.



Architectural Area Lighting  
16555 East Gale Ave. | City of Industry | CA 91745  
T 626.968.5666 | F 626.369.2695 | [www.aal.net](http://www.aal.net)

