

Pedestrian

Updated: 01/2010



- Full cutoff, dark sky compliant optical system with solid shade
- Low angle beam has a maximum candlepower at 65° for efficient spacing between fixtures and control of glare
- Translucent shades add visual interest when illuminated
- Pole, wall, and pendant mounting options
- EISA compliant
- IP55 rated
- Powder coat finish in 13 standard colors with a polymer primer sealer



Architectural Area Lighting

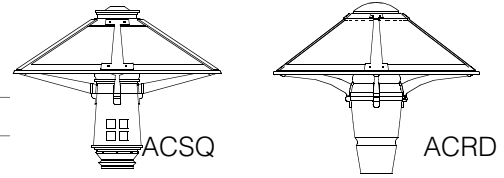
16555 East Gale Ave. | City of Industry | CA 91745
P 626.968.5666 | F 626.369.2695 | www.aal.net
Design patents, Copyright © 2010 Rev 01/2010



Fixture	Optics	Lamp/Ballast	Color	Shade Finish	Mounting
1	2	3	4	5	6

1. FIXTURE

- ACSQ Square Arts & Crafts fixture – WT: 36 lbs. EPA: 2.37
- ACRD Round Arts & Crafts fixture – WT: 27 lbs. EPA: 1.81



2. OPTICS

- GLF Frosted tempered high boron silicate glass lens, symmetric distribution.
- GR3 Type 3 tempered borosilicate glass refractor, IES Type 3 distribution.
- GR3HSS Type 3 tempered borosilicate glass refractor with rotatable house side shield, IES Type 3 distribution.

Fixtures with a solid shade are IES full cutoff. Fixtures with a translucent acrylic shade will emit a small amount of uplight. The mica shade is classified as cutoff and the opal shade is semi-cutoff. Refer to the photometric files for details.

3. LAMP/BALLAST

- CF Fluorescent, electronic ballast 120 thru 277 volt. -18° C min start temp.
Use 4-pin 26, 32 or 42 watt lamp. Specify wattage.
 - PL57 57 watt compact fluorescent 120 thru 277 volt ballast. Use GE F70QBX lamp. -10°C min start temp.
 - PL70 70 watt compact fluorescent 120 thru 277 volt ballast. Use GE F70QBX lamp. -10°C min start temp.
 - 50MH 50 watt metal halide 120/277 volt ballast. Use medium base, ED-17 lamp.
 - 50MHEB 50 watt electronic metal halide 120 thru 277 volt ballast. Use medium base, ED-17 lamp.
 - 70MH 70 watt metal halide 120/208/240/277 volt ballast. Use medium base, ED-17 lamp.
 - 70MHEB 70 watt electronic metal halide 120 thru 277 volt ballast. Use medium base, ED-17 lamp.
 - 70MHT6 70 watt metal halide 120/277/347 volt ballast. Use G12 base, T-6 ceramic lamp.
 - 70MHT6EB 70 watt electronic metal halide 120 through 277 volt ballast. Use G12 base, T-6 ceramic lamp.
 - 100MH 100 watt metal halide 120/208/240/277 volt ballast. Use medium base, ED-17 lamp.
 - 100MHEB 100 watt electronic metal halide 120 thru 277 volt ballast. Use medium base, ED-17 lamp.
 - 150PSMH Pulse start 150 watt metal halide 120/208/240/277 volt ballast. Use medium base ED-17 lamp.
 - 150PSMHT6 Pulse start 150 watt metal halide 120/277 volt ballast. Use G12 base, T-6 ceramic lamp.
 - 150MHEB 150 watt electronic metal halide 120 or 277 volt ballast. Use medium base, ED-17 lamp.
 - 150MHT6EB Pulse start 150 watt electronic metal halide 120/277 volt ballast. Use G12 base, T-6 ceramic lamp.
 - 175PSMH Pulse start 175 watt metal halide 120/208/240/277 volt ballast. Use medium base, ED-17 lamp.
- Down mount only.**
- 70HPS 70 watt high pressure sodium 120/208/240/277 volt ballast. Use medium base, ED-17 lamp.
 - 100HPS 100 watt high pressure sodium 120/208/240/277 volt ballast. Use medium base, ED-17 lamp.
 - 150HPS 150 watt high pressure sodium 120/208/240/277 volt ballast. Use medium base, ED-17 lamp.
 - IL-55 55 watt induction lamp system. Specify 120, 208, 240, or 277 volt. -25°C min start temp.
 - IL-85 85 watt induction lamp system. Specify 120, 208, 240, or 277 volt. -25°C min start temp.

All ballasts are factory wired for 277 volts, unless specified. Lamps not included (except IL options). All applicable ballasts are EISA compliant.

SOLD TO	PO #	JOB NAME
---------	------	----------

Approvals

Architectural Area Lighting

Fixture	Optics	Lamp/Ballast	Color	Shade Finish	Mounting
1	2	3	4	5	6

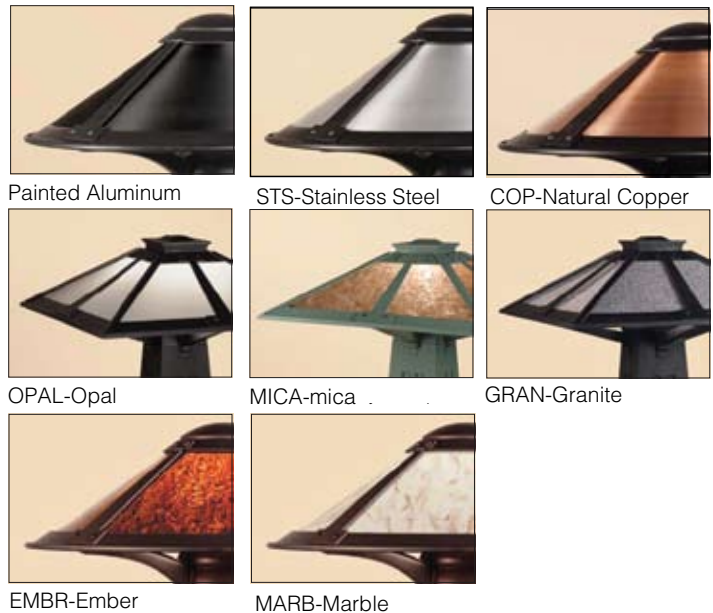
4. COLOR

- AWT Arctic White
- BLK Black
- MTB Matte Black
- DGN Dark Green
- DBZ Dark Bronze
- WRZ Weathered Bronze
- BRM Metallic Bronze
- VBL Verde Blue
- CRT Corten

- MAL Matte Aluminum
- MDG Medium Grey
- ATG Antique Green
- LGY Light Grey
- RAL/PREMIUM COLOR
Provide a RAL 4 digit color number
- CUSTOM COLOR
Please provide a color chip for matching

5. SHADE FINISH

- 1st COLOR AAL standard colors for aluminum shade
- STS #4 brushed stainless steel
- COP Natural Copper-will patina over time
- OPAL Opal (Acrylic)
- MICA Mica (Acrylic)
- GRAN Granite (Acrylic)
- EMBR Ember (Acrylic)
- MARB Marble (Acrylic)
- 2nd COLOR AAL standard colors for aluminum shade
- RAL RAL/Premium colors for aluminum shade
- CUSTOM Custom colors for aluminum shade



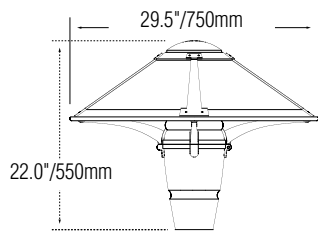
6. MOUNTING

- ATP Pole mounted arm for a 4"/100mm round or square pole, fixture is above the arm
- ABL Pole mounted arm for a 4"/100mm round or square pole, fixture is below the arm
- PMS Pendant with stem. Ballast mounted at ceiling
- WMTP Wall mounted arm, fixture is above the arm
- WMBL Wall mounted arm, fixture is below the arm

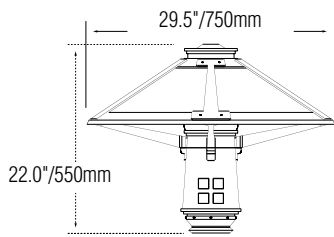
See page 4 for dimensions, EPA and weights. See page 5 for ballast locations.

SOLD TO	PO #	JOB NAME	Approvals
<p>Architectural Area Lighting 16555 East Gale Ave. City of Industry CA 91745 P 626.968.5666 F 626.369.2695 www.aal.net Design patents, Copyright © 2010 Rev 01/2010</p>			

POST TOP

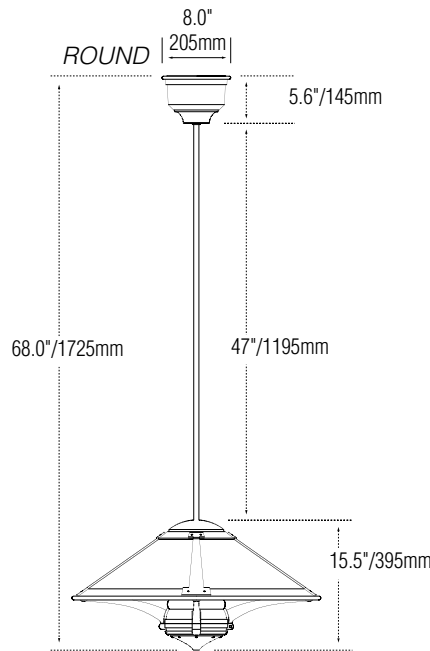


ROUND (slips over a 4"/100mm diameter pole)

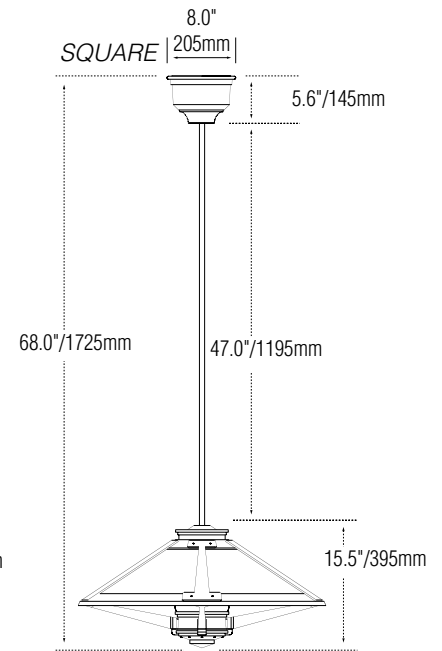


SQUARE (slips over a 4"/100mm square pole)

PMS-PENDANT MOUNT WITH STEM



EPA: 1.9 Weight: 26lbs



EPA: 1.9 Weight: 26lbs

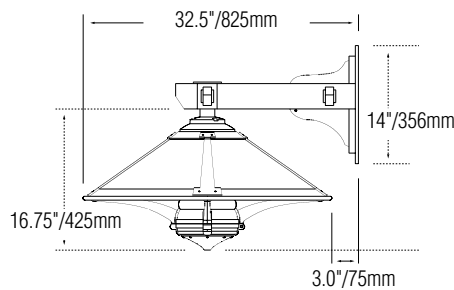
BELOW ARM MOUNT

ABL

Pole mounted arm

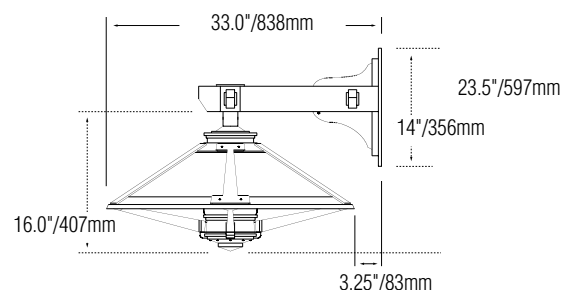
WMBL

Wall mounted arm



ABL ROUND: EPA: 2.17 / WT: 30 lbs.

WMBL ROUND: EPA: 2.15 / WT: 32 lbs.



ABL SQUARE: EPA: 2.15 / WT: 30 lbs.

WMBL SQUARE: EPA: 2.14 / WT: 32 lbs.

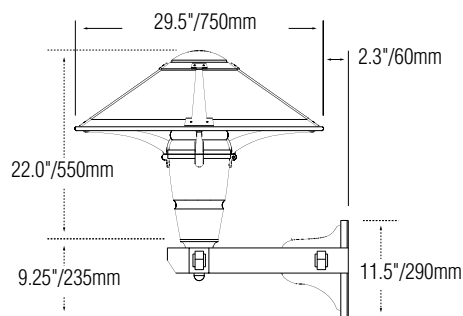
ABOVE ARM MOUNT

ATP

Pole mounted arm

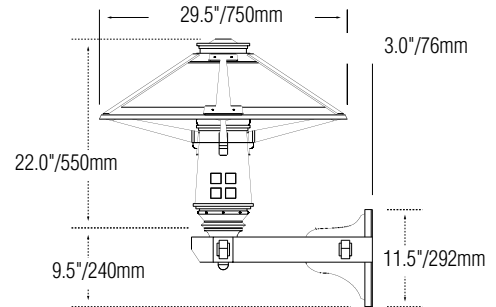
WMTP

Wall mounted arm



ATP ROUND: EPA: 2.47 / WT: 34.5 lbs.

WMTP ROUND: EPA: 2.5 / WT: 36.5 lbs.



ATP SQUARE: EPA: 3.03 / WT: 43.5 lbs.

WMTP SQUARE: EPA: 3.05 / WT: 45.5 lbs.

SOLD TO

PO #

JOB NAME

Approvals

Architectural Area Lighting

16555 East Gale Ave. | City of Industry | CA 91745
 P 626.968.5666 | F 626.369.2695 | www.aal.net
 Design patents, Copyright © 2010 Rev 01/2010

BALLAST LOCATION

BALLAST	POST TOP	PMS	ATP	ABL	WMTP	WMBL
CF	I	I	I	IA	I	IA
PLH (60 watt)	I	R	I	R	R	R
PL57	I	I	I	IA	I	IA
PL70	I	I	I	IA	I	IA
50MH	I	I	I	R	R	R
50MHEB	I	I	I	IA	I	IA
70MH	I	I	I	R	R	R
70MHEB	I	I	I	IA	I	IA
70MHT6	I	I	I	R	R	R
70MHT6EB	I	I	I	IA	I	IA
100MH	I	I	I	R	R	R
100MHEB	I	I	I	IA	I	IA
150PSMH	I	R	I	R	R	R
150PSMHEB	I	R	I	IA	I	IA
150PSMHT6	I	R	I	R	R	R
150PSMHT6EB	I	R	I	IA	I	IA
175PSMH	N/A	R	N/A	R	N/A	R
70HPS	I	I	I	R	R	R
100HPS	I	I	I	R	R	R
150HPS	I	R	I	R	R	R
IL-55	I	RS	I	IA	I	IA
IL-85	I	RS	I	IA	I	IA

I - Integral to the fixture • IA - Integral to the arm • R - Remote location only • RS - Remote location only, max. stem shall be 6"

SOLD TO

PO #

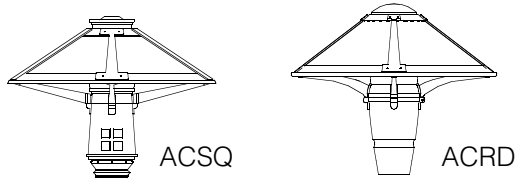
JOB NAME

Approvals

Architectural Area Lighting

16555 East Gale Ave. | City of Industry | CA 91745
 P 626.968.5666 | F 626.369.2695 | www.aal.net
 Design patents, Copyright © 2010 Rev 01/2010

Specifications



WT: 36 lbs. EPA: 2.37

WT: 27 lbs. EPA: 1.81

HOUSING

The fixture shall be cast aluminum, certified as pure A356 alloy free of any porosity, foreign materials or cosmetic fillers. The shade shall hinge open by loosening a captive screw for relamping and ballast access. The lamp compartment is accessed by turning a knob that is attached to the removable socket plate. The lenses shall be molded tempered borosilicate glass for Type 3 refractor. The frosted lens shall be tempered high boro silicate glass. The lenses shall be sealed top and bottom with silicone gaskets. The ballast assembly shall be accessible by turning two screws in keyhole slots and twisting the ballast plate to remove. Quick disconnects shall be used for all electrical connections. All internal and external hardware shall be stainless.

ELECTRICAL

Magnetic HID ballasts shall be high power factor, rated for -30°C starting. Sockets for T-6 lamps shall be a G12 base. Medium base porcelain sockets shall be pulse rated. High output fluorescent lamps shall be powered by Advance SmartMate® electronic ballast and shall be rated for a minimum starting temperature of -10°C. When possible, the electrical assembly shall be installed and prewired in the fixture. Refer to page 5 for exceptions.

RELAMPING

Access to the lamp is accomplished by loosening a captive screw at the underside of shade and directly opposite hinge. The lamp compartment is accessed by turning a knob that is attached to the removable

socket plate.

MOUNTING

Post top mounting: the ACRD (round) fixture shall slip over a 4"/100mm O.D. pole and be secured by three stainless steel set screws. The ACSQ (square) fixture shall slip over a 4"/100mm square pole and be secured by four stainless steel set screws.

Arm mounting: The fixture shall be secured to the arm with four stainless steel bolts for both pole and wall mounted arms. Arms shall attach to the pole with two 3/8-16 stainless steel allen head cap bolts. Hardware to attach the wall mounted arm to the structure shall be provided by others.

Pendant mounting: The fixture shall be threaded to the stem. Pendant mount, stem with canopy (ballast enclosure) shall be 48"/1220mm tall.

FINISH

Fixture finish shall consist of a five stage pretreatment regimen with a polymer primer sealer, oven dry off and top coated with a thermoset super TGIC polyester powder coat finish. The finish shall meet the AAMA605.2 performance specification which includes passing a 3000 hour salt spray test for corrosion resistance.

EISA COMPLIANCE

AAL is committed to complying with U.S. EISA requirements. All applicable products manufactured for sale in the United States after January 1, 2009, meet EISA requirements.

CERTIFICATION

The fixture is listed with ETL for outdoor, wet location use, UL1598 and Canadian CSA Std. C22.2 IP Rating: 55

WARRANTY

Fixture is warranted for three years. Ballast components carry the ballast manufacturer's limited warranty. Any unauthorized return, repair, replacement or modification of the Product(s) shall void this warranty. This warranty applies only to the use of the Product(s) as intended by AAL and does not cover any misapplication or misuse of said Product(s), or installation in hazardous or corrosive environments. Contact AAL for complete warranty language, exceptions, and limitations.

Architectural Area Lighting