

# Poles - C4PB

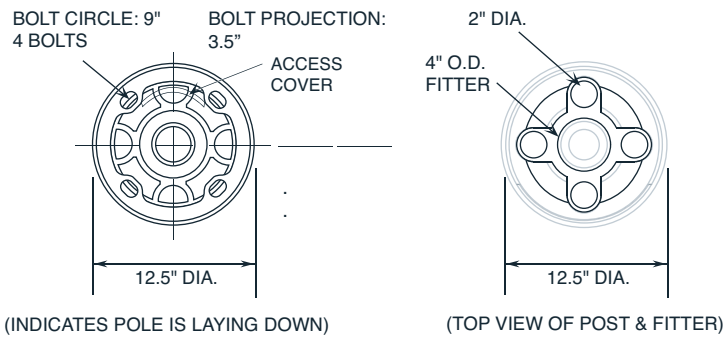
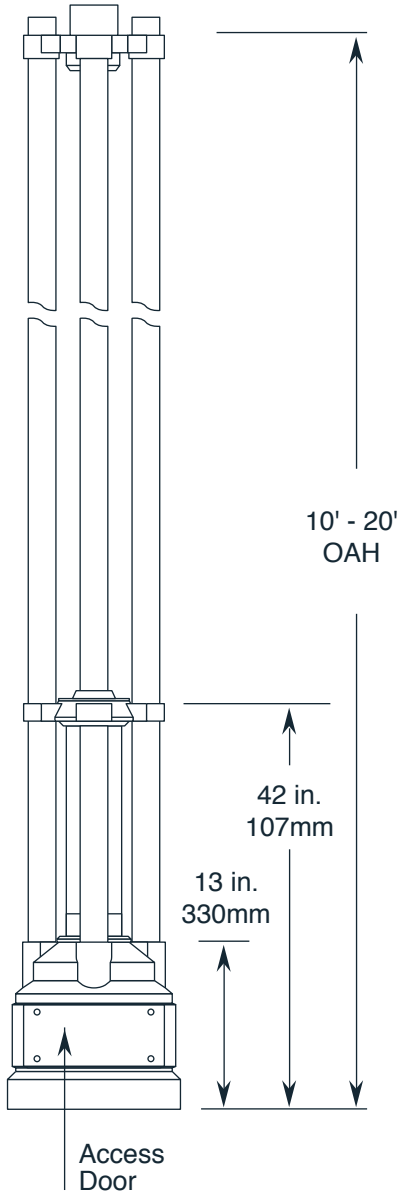
CONTEMPORARY MULTI-POST POLE

DATE	TYPE
------	------

C4PB  
POLE / OPTIONS

CATALOG NO.	POLE	OAH	WT	MAXIMUM ALLOWABLE EPA (MPH)									
				85	90	100	110	120	130	140	150		
<input type="checkbox"/> C4P-8		8' (2.5m)	-	50	47.8	42.3	33.7	27.4	22.6	18.8	15.8	13.4	
<input type="checkbox"/> C4PB-10		10' (3.1m)	-	65	37.1	32.7	25.8	20.7	16.9	13.8	11.4	9.5	
<input type="checkbox"/> C4PB-12		12' (3.7m)	-	72	29.8	26.1	20.3	16.0	12.8	10.2	8.2	6.6	
<input type="checkbox"/> C4PB-14		14' (4.3m)	-	79	24.2	21.1	16.1	12.4	9.6	7.5	5.7	4.3	
<input type="checkbox"/> C4PB-16		16' (4.9m)	-	86	19.7	17.0	12.7	9.5	7.1	5.2	3.7	2.5	
<input type="checkbox"/> C4PB-18		18' (5.5m)	-	93	15.7	13.4	9.6	6.9	4.8	3.1	1.8	-	
<input type="checkbox"/> C4PB-20		20' (6.2m)	-	100	12.3	10.2	7.0	4.5	2.7	-	-	-	

Note: Overall height is measured as shown (OAH).



### SPECIFICATIONS

Base shall be cast aluminum #356 alloy, free of any porosity, foreign materials, or cosmetic fillers. Base casting shall be heat treated to a T-6 condition, and of uniform wall thickness, with no warping or mold shifting.

### WARNINGS

Caution must be exercised in the selection of a design wind speed when the pole is to be installed in a special wind region (as indicated by the wind map) or in an area where wind speed is unpredictable.

AAL recommends consulting a local engineer when the pole is to be installed in an area that may be subject to extreme weather and exposure.

Poles installed on structures such as buildings and bridges may be subjected to vibration, oscillations, and other fatigue effects which are not covered by the AAL warranty.

The use of banners or other appendages can severely affect the loading of a pole. No banner or other appendage should be attached to an AAL pole unless approved by AAL.

If the products are to be used on an existing foundation or on other structures, the customer assumes all responsibility for the structural integrity of the existing foundation, anchorage or structures and all the consequences arising therefrom.

### CAUTION

Poles should never be erected without the luminaire installed. Warranty is voided if the pole is erected without the luminaire. The warranty is voided if the pole is not grouted under the entire base after installation.

**ANCHOR BOLTS** are 3/4" x 24" x 3" hot dip galvanized steel. Six galvanized hex nuts and flat washers, and a bolt circle template are provided.

SOLD TO	PO #	JOB NAME
/	/	/

**ARCHITECTURAL AREA LIGHTING**  
16555 East Gale Avenue | City of Industry | CA 91745  
Tel: 626.968.5666 | Fax: 626.369.2695 | www.aal.net  
Ref: C4PB.pdf copyright 2005, design patented

Approvals
-----------