

Poles - DB12

4" ROUND (RD) & FLUTED (FL) DECORATIVE BASE

DATE

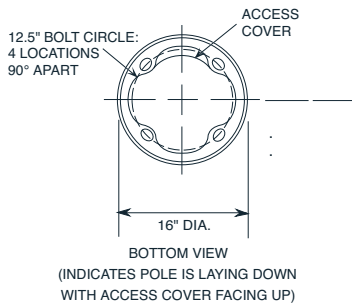
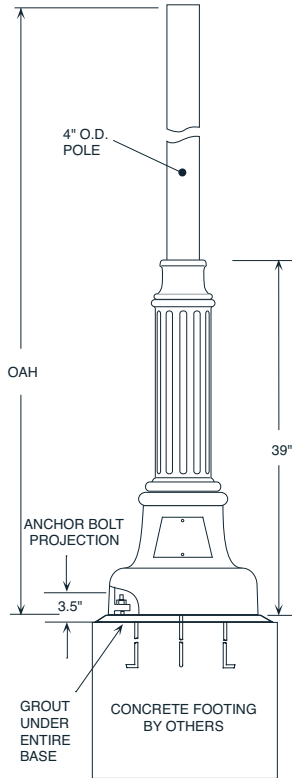
TYPE

DB12
BASE / POLE/WALL / OPTIONS

CATALOG NO.

MAXIMUM ALLOWABLE EPA (MPH)

BASE POLE	OAH	SHAFT	WT	85	90	100	110	120	130	140	150
<input type="checkbox"/> DB12 4R10-125	10' (3.1m)	4" RD x .125"	55	19.4	17.1	13.5	10.8	8.9	7.4	6.3	5.5
<input type="checkbox"/> DB12 4R12-125	12' (3.7m)	4" RD x .125"	59	15.3	13.4	10.5	8.3	6.7	5.6	4.7	4.0
<input type="checkbox"/> DB12 4R14-125	14' (4.3m)	4" RD x .125"	63	12.3	10.7	8.2	6.3	5.0	4.1	3.4	2.9
<input type="checkbox"/> DB12 4R16-125	16' (4.9m)	4" RD x .125"	66	10.0	8.6	6.4	4.8	3.6	2.9	2.4	2.0
<input type="checkbox"/> DB12 4R10-226	10' (3.1m)	4" RD x .226"	68	23.8	21.0	16.7	13.5	11.1	9.3	8.0	6.9
<input type="checkbox"/> DB12 4R12-226	12' (3.7m)	4" RD x .226"	74	19.2	16.9	13.3	10.6	8.6	7.2	6.1	5.3
<input type="checkbox"/> DB12 4R14-226	14' (4.3m)	4" RD x .226"	80	15.9	13.9	10.8	8.4	6.8	5.6	4.7	4.0
<input type="checkbox"/> DB12 4R16-226	16' (4.9m)	4" RD x .226"	87	12.4	12.3	9.4	7.3	5.7	4.7	4.0	3.3
<input type="checkbox"/> DB12 4R18-226	18' (5.5m)	4" RD x .226"	93	11.7	10.0	7.5	5.6	4.3	3.5	2.9	2.4
<input type="checkbox"/> DB12 4R20-226	20' (6.2m)	4" RD x .226"	99	9.5	8.1	5.9	4.2	3.1	2.4	1.9	1.6
<input type="checkbox"/> DB12 4F10-188	10' (3.1m)	4" FL x .188"	63	22.1	19.5	15.4	12.4	10.2	8.5	7.1	6.1
<input type="checkbox"/> DB12 4F12-188	12' (3.7m)	4" FL x .188"	68	17.6	15.4	12.1	9.6	7.7	6.4	5.3	4.4
<input type="checkbox"/> DB12 4F14-188	14' (4.3m)	4" FL x .188"	74	14.3	12.5	9.6	7.5	5.9	4.8	3.9	3.2
<input type="checkbox"/> DB12 4F16-188	16' (4.9m)	4" FL x .188"	79	11.7	10.1	7.6	5.8	4.4	3.5	2.7	2.2



Note: Overall height is measured to top of pole.

SPECIFICATIONS

Base shall be cast aluminum #356 alloy, free of any porosity, foreign materials, or cosmetic fillers. Base casting shall be heat treated to a T-6 condition, and of uniform wall thickness, with no warping or mold shifting.

WARNINGS

Caution must be exercised in the selection of a design wind speed when the pole is to be installed in a special wind region (as indicated by the wind map) or in an area where wind speed is unpredictable.

AAL recommends consulting a local engineer when the pole is to be installed in an area that may be subject to extreme weather and exposure.

Poles installed on structures such as buildings and bridges may be subjected to vibration, oscillations, and other fatigue effects which are not covered by the AAL warranty.

The use of banners or other appendages can severely affect the loading of a pole. No banner or other appendage should be attached to an AAL pole unless approved by AAL.

If the products are to be used on an existing foundation or on other structures, the customer assumes all responsibility for the structural integrity of the existing foundation, anchorage or structures and all the consequences arising therefrom.

CAUTION

Poles should never be erected without the luminaire installed. Warranty is voided if the pole is erected without the luminaire. The warranty is voided if the pole is not grouted under the entire base after installation.

ANCHOR BOLTS shall be hot dip galvanized steel. Eight galvanized hex nuts and flat washers, and a bolt circle template shall be provided. Anchor bolt for poles are 3/4" x 24" x 3".

See options/accessories details on page 2.

SOLD TO	PO #	JOB NAME
/	/	/

Approvals

Architectural Area Lighting

16555 East Gale Avenue | City of Industry | CA 91745
Tel: 626.968.5666 | Fax: 626.369.2695 | www.aal.net

Ref: DB12.pdf copyright 2005, design patented

Poles - DB12

4" ROUND (RD) & FLUTED (FL) DECORATIVE BASE

OPTIONS / ACCESSORIES

- FH**
Flag holder. (Specify location on pole)
- FS1**
Single weatherproof fuse holder. Fuse by others.
- FS2**
Double weatherproof fuse holder. Fuse by others.
- LR**
Ladder rest. Slips over a 4" O.D. pole.
- PCR**
Low profile twist lock photocell receptacle with cast pole cap top. Secures to the top of the pole with three stainless steel set screws. Photocell by others.
- PLT**
Ladder rest. Slips over a 4" O.D. pole
- PCA-T**
Rotatable photocell housing. The housing slips over a 4"/100mm o.d. pole. a fixture slips over the 4"/100mm o.d. tenon. Includes an internal twist lock receptacle, and an access cover with integral lens and stainless steel tether. Adds 5"/125mm to the overall height of the pole/fixture assembly. Prewired on the load side and line side for easy installation. Photocell by others.
- RBC**
Cast aluminum receptacle housing, integrally welded to the pole. Includes a NEC approved clear weatherproof cover. Does not include a receptacle or internal wiring.