

## Colonial Style Bollard

- Heavy-duty cast aluminum for corrosion resistance
- Clear or frosted one-piece formed acrylic or polycarbonate lens
- Available with energy efficient LEDs
- Features Type 3 or Type 5 glass refractors
- Internal or external louvers provide IES Type 5 distribution
- Decorative, unlit version available
- EISA compliant
- Powder coat finish in 13 standard colors with a polymer primer sealer



FCB5



## Architectural Area Lighting

16555 East Gale Ave. | City of Industry | CA 91745  
P 626.968.5666 | F 626.369.2695 | www.aal.net  
Copyright © 2011

1. Bollard	2. Lamp/Ballast	3. Color	4. Options
FCB5-F	70MHEB	BLK	180S

1. BOLLARD

- FCB5-C Decorative bollard with clear acrylic lens. Wt. 46 lbs.
- FCB5-F Decorative bollard with frosted acrylic lens. Wt. 46 lbs.
- FCB5-PC Decorative bollard with clear polycarbonate lens. Wt. 46 lbs.
- FCB5-PF Decorative bollard with frosted polycarbonate lens. Wt. 46 lbs.
- FCB5-GR3 Decorative bollard with clear acrylic lens. Type 3 distribution. Wt. 46 lbs.
- FCB5-GR5 Decorative bollard with clear acrylic lens. Type 5 distribution. Wt. 46 lbs.
- FCB5-ILV Decorative bollard with clear acrylic lens, internal louvers. Type 5 distribution. Wt. 46 lbs.
- FCB5-ELV Decorative bollard with clear acrylic lens, external louvers. Type 5 distribution. Wt. 46 lbs.
- FCB5-LED Decorative bollard with clear acrylic lens, indirect LED. Type 5 distribution. Wt. 46 lbs.
- FCB5-UN Decorative bollard unlit. Wt. 46 lbs.

2. LAMP/BALLAST

- 50MH 50 watt metal halide 120/208/240/277 volt ballast. Use medium base, ED-17 lamp.
- 50MHEB 50 watt electronic metal halide 120 thru 277 volt ballast. Use medium base, ED-17 lamp.
- 70MH 70 watt metal halide 120/208/240/277 volt ballast. Use medium base, ED-17 lamp.
- 70MHT6 70 watt metal halide 120/277/347 volt ballast. Use G12 base, T-6 ceramic lamp.
- 70MHEB 70 watt electronic metal halide 120 thru 277 volt ballast. Use medium base, ED-17 lamp.
- 70MHT6EB 70 watt electronic metal halide 120 thru 277 volt ballast. Use G12 base, T-6 ceramic lamp.
- 50HPS 50 watt high pressure sodium 120/277 volt ballast. Use medium base, ED-17 lamp.
- 70HPS 70 watt high pressure sodium 120/208/240/277 volt ballast. Use medium base, ED-17 lamp.
- CF Compact fluorescent electronic 120 thru 277 volt ballast. Use GX24q 4-pin base, 26, 32 or 42 watt lamp. -18 degree start temp. Specify wattage.
- 24LED-WW 24 light emitting diode array (53 watt). 120 thru 277 volt. Warm white (3500K). Available with LED bollard only. Drive current 700 mA.
- 24LED-BW 24 light emitting diode array (53 watt). 120 thru 277 volt. Bright white (5100K). Available with LED bollard only. Drive current 700 mA.

*All ballasts are factory wired for 277 volts, unless specified. Lamps not included, except LED.  
All applicable ballasts are EISA compliant.*

SOLD TO	PO #	JOB NAME	Approvals
---------	------	----------	-----------

**Architectural Area Lighting**

16555 East Gale Ave. | City of Industry | CA 91745  
 P 626.968.5666 | F 626.369.2695 | www.aal.net  
 Copyright © 2011

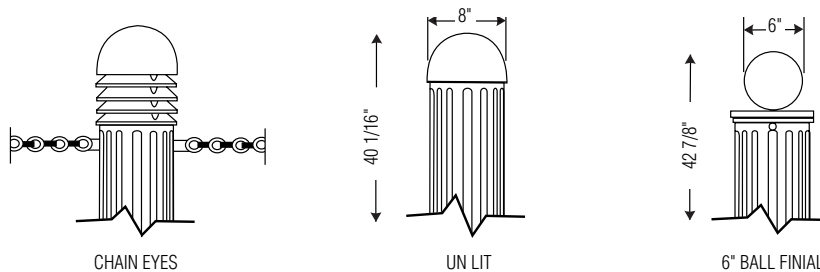
1. Bollard FCB5-F	2. Lamp/Ballast 70MHEB	3. Color BLK	4. Options 180S
----------------------	---------------------------	-----------------	--------------------

3. COLOR

- AWT Arctic White
- BLK Black
- MTB Matte Black
- DGN Dark Green
- DBZ Dark Bronze
- WRZ Weathered Bronze
- BRM Metallic Bronze
- VBL Verde Blue
- CRT Corten
- MAL Matte Aluminum
- MDG Medium Grey
- ATG Antique Green
- LGY Light Grey
- RAL/PREMIUM COLOR Provide a RAL 4 digit color number
- CUSTOM COLOR Please provide a color chip for matching

4. OPTIONS

- 90S House side shield, 90 degrees
- 180S House side shield, 180 degrees
- FS1 Single weatherproof fuse holder. Fuse by others.
- GFI Ground fault interrupter
- CE1 Chain eyes, single
- CE2 Chain eyes, double
- UB6 6" ball finial. Only available with unlit bollard (FCB5-UN)



SOLD TO

PO #

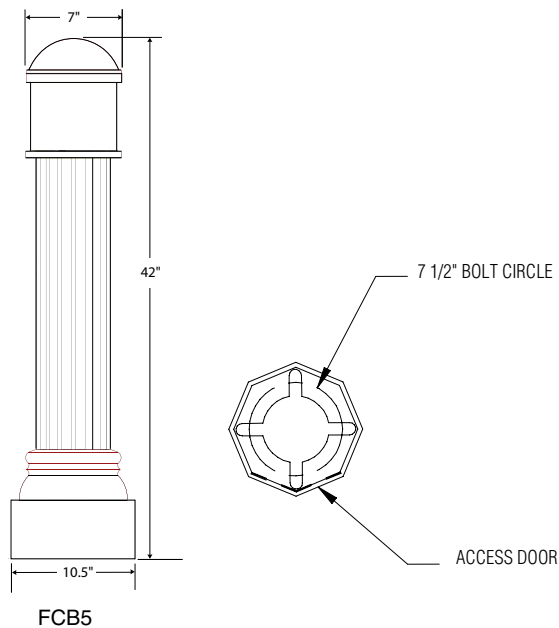
JOB NAME

Approvals

Architectural Area Lighting

16555 East Gale Ave. | City of Industry | CA 91745  
 P 626.968.5666 | F 626.369.2695 | www.aal.net  
 Copyright © 2011

## Specifications



### HOUSING

The bollard shall be cast aluminum. Aluminum shall be certified as pure #356 alloy, free of any porosity, foreign materials, or cosmetic fillers. All extruded aluminum parts shall be alloy 6061-T6, 6063-T5 or equal. The lens shall be one-piece formed acrylic, sealed in the housing to prevent dust, insect or moisture contamination.

### ELECTRICAL

The electrical assembly shall be comprised of a high power factor ballast, designed to operate an HID lamp (by others) up to 70 watts and shall be integrally mounted to a removable aluminum tray with nonferrous brackets and fasteners. The medium base porcelain sockets are 4KV rated. Ballasts are wired at the factory for 277 volts, unless specified.

The LED drivers accept 120 thru 277 volt input and is driven at 700mA. The 24 light emitting diode array are available in warm white (3500K) or bright white (5100K).

### MOUNTING

The bollard shall be secured to the base with three stainless steel bolts. The 5/8" x 18" anchor bolts, double hex nuts and flat washers shall be hot dipped galvanized steel.

### FINISH

Fixture finish shall consist of a five stage pretreatment regimen with a polymer primer sealer, oven dry off, and top coated with a thermoset super TGIC polyester powder coat finish. The finish shall meet the AAMA 605.2 performance specification which includes passing a 3000 hour salt spray test for corrosion resistance.

### EISA COMPLIANCE

AAL is committed to complying with all U.S. EISA requirements. All applicable AAL products manufactured for sale in the United States after January 1, 2009, meet EISA requirements.

### CERTIFICATION

The fixture is listed with ETL for outdoor, wet location use. Conforms to UL1598 and Canadian CSA Std., C22.2 no.9. IP Rating: 55

### WARRANTY

Bollard is warranted for three years. Ballast components carry the ballast manufacturer's limited warranty. Any unauthorized return, repair, replacement or modification of the Product(s) shall void this warranty. This warranty applies only to the use of the Product(s) as intended by AAL and does not cover any misapplication or misuse of said Product(s), or installation in hazardous or corrosive environments. Contact AAL for complete warranty language, exceptions, and limitations.

*AAL reserves the right to change product specifications without notice.*

---

## Architectural Area Lighting