

Updated: 03/2010



- Die cast aluminum construction for corrosion resistance
- Features precision optical systems perfect for higher mounting heights
- Full cutoff classification
- Can be specified as a single, double, triple or quad configuration
- Tool-less access for lamp changes
- Hinged cover lifts off for ballast servicing
- EISA compliant
- IP 65 rated
- Powder coat finish in 13 standard colors with a polymer primer sealer



Architectural Area Lighting

16555 East Gale Ave. | City of Industry | CA 91745
P 626.968.5666 | F 626.369.2695 | www.aal.net
Design patents, Copyright © 2010 Rev 03/2010

Luminaire	Lamp/Ballast	Color	Options	Mounting
1	2	3	4	5

1. LUMINAIRE

- FH2 Type 2 horizontal (semi specular reflector for T-6 & ED-17 lamp, specular reflector for ED-28 lamp)
- FH3 Type 3 horizontal (semi specular reflector for T-6 & ED-17 lamp, specular reflector for ED-28 lamp)
- FH4 Type 4 horizontal (semi specular reflector for T-6 & ED-17 lamp, specular reflector for ED-28 lamp)
- FH5 Type 5 horizontal (semi specular reflector for T-6 & ED-17 lamp, specular reflector for ED-28 lamp)

2. LAMP/BALLAST

- 70MH 70 watt metal halide 120/208/240/277 volt ballast. Use medium base, ED-17 lamp.
- 70MHEB 70 watt electronic metal halide 120 or 277 volt ballast. Use medium base, ED-17 lamp.
- 70MHT6 70 watt metal halide 120/277/347 volt ballast. Use G12 base, T-6 lamp.
- 70MHT6EB 70 watt electronic metal halide 120 or 277 volt ballast. Use G12 base, T-6 lamp.
- 100MH 100 watt metal halide 120/208/240/277 volt ballast. Use medium base, ED-17 lamp.
- 150PSMH Pulse start 150 watt metal halide 120/208/240/277 volt ballast. Use medium base, ED-17 lamp.
- 150PSMHT6 Pulse start 150 watt metal halide 120/208/240/277 volt ballast. Use G12 base, T-6 MH lamp.
- 150MHEB 150 watt electronic metal halide 120 thru 277 volt ballast. Use medium base, ED-17 lamp.
- 150MHT6EB 150 watt electronic metal halide 120 thru 277 volt ballast. Use G12 base, T-6 MH lamp.
- 250PSMH Pulse start 250 watt metal halide 120/208/240/277 volt ballast. Use mogul base, ED-28 lamp.
- 320PSMH Pulse start 320 watt metal halide 120/208/240/277 volt ballast. Use mogul base, ED-28 lamp.
- 350PSMH Pulse start 350 watt metal halide 120/208/240/277 volt ballast. Use mogul base, ED-28 lamp.
- 400PSMH Pulse start 400 watt metal halide 120/208/240/277 volt ballast. Use mogul base, ED-28 lamp.

For pole mounted fixtures only.

- 70HPS 70 watt high pressure sodium 120/208/240/277 volt ballast. Use medium base, ED-17 lamp.
- 100HPS 100 watt high pressure sodium 120/208/240/277 volt ballast. Use medium base, ED-17 lamp.
- 150HPS 150 watt high pressure sodium 120/208/240/277 volt ballast. Use medium base, ED-17 lamp.
- 200HPS 200 watt high pressure sodium 120/208/240/277 volt ballast. Use mogul base, ED-18 lamp.
- 250HPS 250 watt high pressure sodium 120/208/240/277 volt ballast. Use mogul base ED-18 lamp.
- 400HPS 400 watt high pressure sodium 120/208/240/277 volt ballast. Use mogul base ED-18 lamp.

For pole mounted fixtures only.

All ballasts are factory wired for 277 volts, unless specified. Lamps not included.

All applicable ballasts are EISA compliant.

SOLD TO	PO #	JOB NAME	Approvals
Architectural Area Lighting 16555 East Gale Ave. City of Industry CA 91745 P 626.968.5666 F 626.369.2695 www.aal.net Design patents, Copyright © 2010 Rev 03/2010			

Luminaire	Lamp/Ballast	Color	Options	Mounting
1	2	3	4	5

3. COLOR

<input type="checkbox"/> AWT	Arctic White	<input type="checkbox"/> MAL	Matte Aluminum
<input type="checkbox"/> BLK	Black	<input type="checkbox"/> MDG	Medium Grey
<input type="checkbox"/> MTB	Matte Black	<input type="checkbox"/> ATG	Antique Green
<input type="checkbox"/> DGN	Dark Green	<input type="checkbox"/> LGY	Light Grey
<input type="checkbox"/> DBZ	Dark Bronze	<input type="checkbox"/> RAL/PREMIUM COLOR	Provide a RAL 4 digit color number
<input type="checkbox"/> WRZ	Weathered Bronze	<input type="checkbox"/> CUSTOM COLOR	Please provide a color chip for matching
<input type="checkbox"/> BRM	Metallic Bronze		
<input type="checkbox"/> VBL	Verde Blue		
<input type="checkbox"/> CRT	Corten		

4. OPTIONS



HSS
HOUSE SIDE SHIELD
 To cutoff light behind the pole and shield the lamp from view. Not available with Type 5.



LDL
LIGHTLY DIFFUSED LENS
 Frosted, flat glass lens minimizes the lamp and reflector brightness



RCK
ROCK GUARD
 Field installed on the lens frame, black finish



BPC12 (120 volt)
BPC27 (208/240/277 volt)
 Button type photocell with adjustable swivel for aiming. Requires field wiring.

Electrical Options

347 120/277/347 volt ballast option for metal halide and high pressure sodium lamps

Egress and Emergency Options

Egress lighting codes require an illuminated path to allow occupants to get a safe distance from the building during a power failure or other emergency. In conjunction with the proper wiring, these two options can be implemented to provide egress lighting.

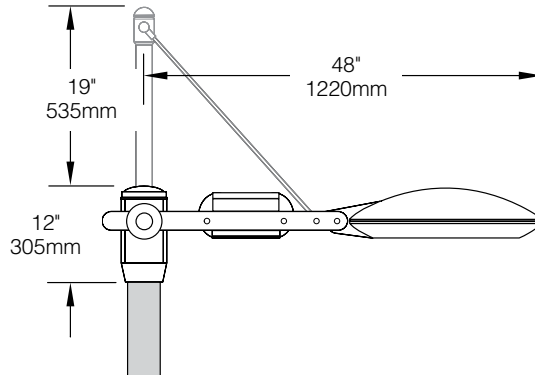
QRS
 Restrike controller and T-4 mini-can socket. Not required with electronic ballast. Lamp wattage not to exceed ballast wattage.

QL
 Socket for T-4 mini-can lamp, field wired to a separate circuit. Lamp wattage not to exceed ballast wattage.

Architectural Area Lighting

Luminaire	Lamp/Ballast	Color	Options	Mounting
1	2	3	4	5

5. MOUNTING



Short Straight Arms

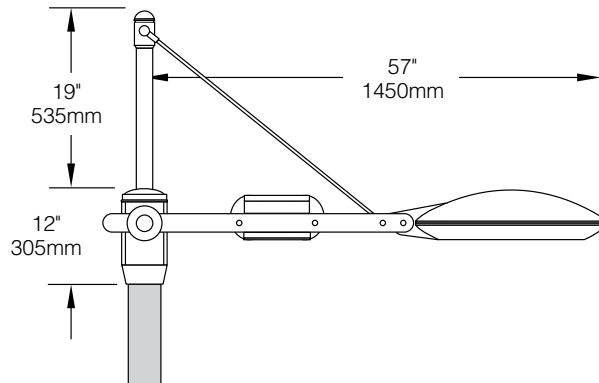
		WT	EPA
<input type="checkbox"/>	SS4 Short straight arm, slips over a 4"/100mm pole	52	1.37
<input type="checkbox"/>	SS5 Short straight arm, slips over a 5"/127mm pole	52	1.37
<input type="checkbox"/>	TSS4 Twin, short straight arm slips over a 4"/100mm pole	98	2.52
<input type="checkbox"/>	TSS5 Twin, short straight arm slips over a 5"/127mm pole	98	2.52
<input type="checkbox"/>	PSS4 3-way - T configuration, short straight arm, horizontal position only, slips over a 4"/100mm pole	144	3.13
<input type="checkbox"/>	PSS5 3-way - T configuration, short straight arm, horizontal position only, slips over a 5"/127mm pole	144	3.13
<input type="checkbox"/>	QSS4 4-way, short straight arm, horizontal position only, slips over a 4"/100mm pole	144	3.90
<input type="checkbox"/>	QSS5 4-way, short straight arm, horizontal position only, slips over a 5"/127mm pole	144	3.90

Short Straight Arms with Extension

		WT	EPA
<input type="checkbox"/>	SS4XP Short straight arm with an extended post, slips over a 4"/100mm pole	56	1.55
<input type="checkbox"/>	SS5XP Short straight arm with an extended post, slips over a 5"/127mm pole	56	1.55
<input type="checkbox"/>	TSS4XP Twin short straight arm with an extended post, slips over a 4"/100mm pole	106	2.45
<input type="checkbox"/>	TSS5XP Twin short straight arm with an extended post, slips over a 5"/127mm pole	106	2.45
<input type="checkbox"/>	PSS4XP 3-way - T configuration, short straight arm with an extended post, horizontal position only, slips over a 4"/100mm pole	156	3.06
<input type="checkbox"/>	PSS5XP 3-way - T configuration, short straight arm with an extended post, horizontal position only, slips over a 5"/127mm pole	156	3.06
<input type="checkbox"/>	QSS4XP 4-way short straight arm, with an extended post, horizontal position only, slips over a 4"/100mm pole	206	4.08
<input type="checkbox"/>	QSS5XP 4-way short straight arm, with an extended post, horizontal position only, slips over a 5"/127mm pole	206	4.08

SOLD TO	PO #	JOB NAME	Approvals
Architectural Area Lighting 16555 East Gale Ave. City of Industry CA 91745 P 626.968.5666 F 626.369.2695 www.aal.net Design patents, Copyright © 2010 Rev 03/2010			

Luminaire	Lamp/Ballast	Color	Options	Mounting
1	2	3	4	5



Long Straight Arms

		WT	EPA
<input type="checkbox"/>	LS4 Long straight arm, slips over a 4"/100mm pole	52	1.53
<input type="checkbox"/>	LS5 Long straight arm, slips over a 5"/127mm pole	52	1.53
<input type="checkbox"/>	TLS4 Twin, long straight arm, slips over a 4"/100mm pole	98	2.84
<input type="checkbox"/>	TLS5 Twin, long straight arm, slips over a 5"/127mm pole	98	2.84
<input type="checkbox"/>	PLS4 3-way - T configuration, long straight arm, horizontal position only, slips over a 4"/100mm pole	144	3.45
<input type="checkbox"/>	PLS5 3-way - T configuration, long straight arm, horizontal position only, slips over a 5"/127mm pole	144	3.45
<input type="checkbox"/>	QLS4 4-way, long straight arm, horizontal position only, slips over a 4"/100mm pole	144	3.93
<input type="checkbox"/>	QLS5 4-way, long straight arm, horizontal position only, slips over a 5"/127mm pole	144	3.93

Long Straight Arms with Extension

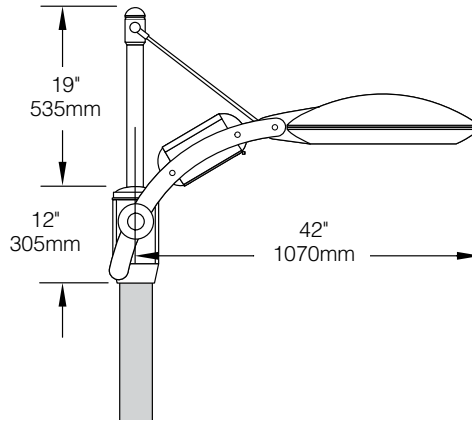
		WT	EPA
<input type="checkbox"/>	LS4XP Long straight arm, with an extended post, slips over a 4"/100mm pole	56	1.71
<input type="checkbox"/>	LS5XP Long straight arm with an extended post, slips over a 5"/127mm pole	56	1.71
<input type="checkbox"/>	TLS4XP Twin long straight arm with an extended post, slips over a 4"/100mm pole	106	3.07
<input type="checkbox"/>	TLS5XP Twin long straight arm, with an extended post, slips over a 5"/127mm pole	106	3.07
<input type="checkbox"/>	PLS4XP 3-way - T configuration, long straight arm, with an extended post, horizontal position only, slips over a 4"/100mm pole	156	3.68
<input type="checkbox"/>	PLS5XP 3-way - T configuration, long straight arm, with an extended post, horizontal position only, slips over a 5"/127mm pole	156	3.68
<input type="checkbox"/>	QLS4XP 4-way long straight arm, with an extended post, horizontal position only, slips over a 4"/100mm pole	206	4.64
<input type="checkbox"/>	QLS5XP 4-way long straight arm, with an extended post, horizontal position only, slips over a 5"/127mm pole	206	4.64

SOLD TO	PO #	JOB NAME	Approvals

Architectural Area Lighting

16555 East Gale Ave. | City of Industry | CA 91745
 P 626.968.5666 | F 626.369.2695 | www.aal.net
 Design patents, Copyright © 2010 Rev 03/2010

Luminaire	Lamp/Ballast	Color	Options	Mounting
1	2	3	4	5



Short Curved Arms

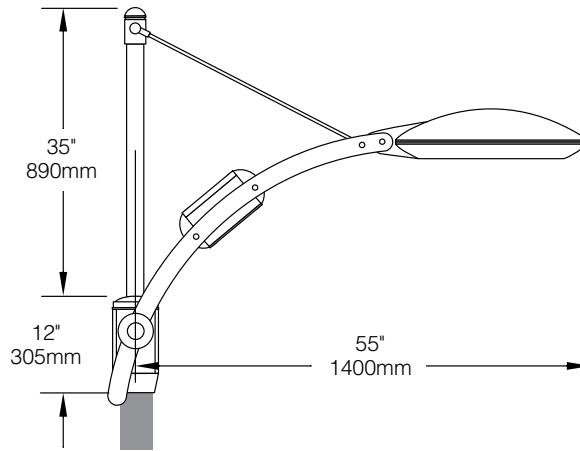
		WT	EPA
<input type="checkbox"/>	SC4 Short curved arm, slips over a 4"/100mm pole	52	1.38
<input type="checkbox"/>	SC5 Short curved arm, slips over a 5"/127mm pole	52	1.38
<input type="checkbox"/>	TSC4 Twin, short curved arm slips over a 4"/100mm pole	98	2.54
<input type="checkbox"/>	TSC5 Twin, short curved arm slips over a 5"/127mm pole	98	2.54
<input type="checkbox"/>	PSC4 3-way-T configuration, short curved arm, slips over a 4"/100mm pole	147	3.15
<input type="checkbox"/>	PSC5 3-way-T configuration, short curved arm, slips over a 5"/127mm pole	147	3.15
<input type="checkbox"/>	QSC4 4-way, short curved arm, slips over a 4"/100mm pole	193	3.97
<input type="checkbox"/>	QSC5 4-way, short curved arm, slips over a 5"/127mm pole	193	3.97

Short Curved Arms with Extension

		WT	EPA
<input type="checkbox"/>	SC4XP Short curved arm with an extended post, slips over a 4"/100mm pole	56	1.54
<input type="checkbox"/>	SC5XP Short curved arm with an extended post, slips over a 5"/127mm pole	56	1.54
<input type="checkbox"/>	TSC4XP Twin short curved arm with an extended post, slips over a 4"/100mm pole	106	2.72
<input type="checkbox"/>	TSC5XP Twin short curved arm with an extended post, slips over a 5"/127mm pole	106	2.72
<input type="checkbox"/>	PSC4XP 3-way-T configuration, short curved arm with an extended post, slips over a 4"/100mm pole	156	3.33
<input type="checkbox"/>	PSC5XP 3-way-T configuration, short curved arm with an extended post, slips over a 5"/127mm pole	156	3.33
<input type="checkbox"/>	QSC4XP 4-way short curved arm with an extended post, slips over a 4"/100mm pole	196	4.14
<input type="checkbox"/>	QSC5XP 4-way short curved arm with an extended post, slips over a 5"/127mm pole	196	4.14

SOLD TO	PO #	JOB NAME	Approvals
Architectural Area Lighting 16555 East Gale Ave. City of Industry CA 91745 P 626.968.5666 F 626.369.2695 www.aal.net Design patents, Copyright © 2010 Rev 03/2010			

Luminaire	Lamp/Ballast	Color	Options	Mounting
1	2	3	4	5



Long Curved Arms

		WT	EPA
<input type="checkbox"/>	LC4 Long curved arm, slips over a 4"/100mm pole	52	1.75
<input type="checkbox"/>	LC5 Long curved arm, slips over a 5"/127mm pole	52	1.75
<input type="checkbox"/>	TLC4 Twin, long curved arm slips over a 4"/100mm pole	98	3.28
<input type="checkbox"/>	TLC5 Twin, long curved arm slips over a 5"/127mm pole	98	3.28
<input type="checkbox"/>	PLC4 3-way-T configuration, long curved arm, slips over a 4"/100mm pole	144	3.89
<input type="checkbox"/>	PLC5 3-way-T configuration, long curved arm, slips over a 5"/127mm pole	144	3.89
<input type="checkbox"/>	QLC4 4-way, long curved arm, slips over a 4"/100mm pole	197	5.16
<input type="checkbox"/>	QLC5 4-way, long curved arm, slips over a 5"/127mm pole	197	5.16

Long Curved Arms with Extension

		WT	EPA
<input type="checkbox"/>	LC4XP Long curved arm with an extended post, slips over a 4"/100mm pole	56	2.04
<input type="checkbox"/>	LC5XP Long curved arm with an extended post, slips over a 5"/127mm pole	56	2.04
<input type="checkbox"/>	TLC4XP Twin long curved arm with an extended post, slips over a 4"/100mm pole	106	3.60
<input type="checkbox"/>	TLC5XP Twin long curved arm with an extended post, slips over a 5"/127mm pole	106	3.60
<input type="checkbox"/>	PLC4XP 3-way-T configuration, long curved arm with an extended post, slips over a 4"/100mm pole	156	4.21
<input type="checkbox"/>	PLC5XP 3-way-T configuration, long curved arm with an extended post, slips over a 5"/127mm pole	156	4.21
<input type="checkbox"/>	QLC4XP 4-way long curved arm with an extended post, slips over a 4"/100mm pole	200	5.44
<input type="checkbox"/>	QLC5XP 4-way long curved arm with an extended post, slips over a 5"/127mm pole	200	5.44

SOLD TO

PO #

JOB NAME

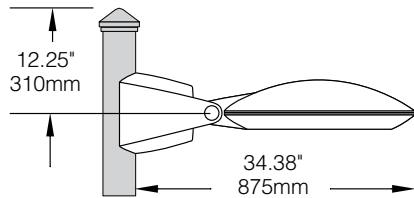
Approvals

Architectural Area Lighting

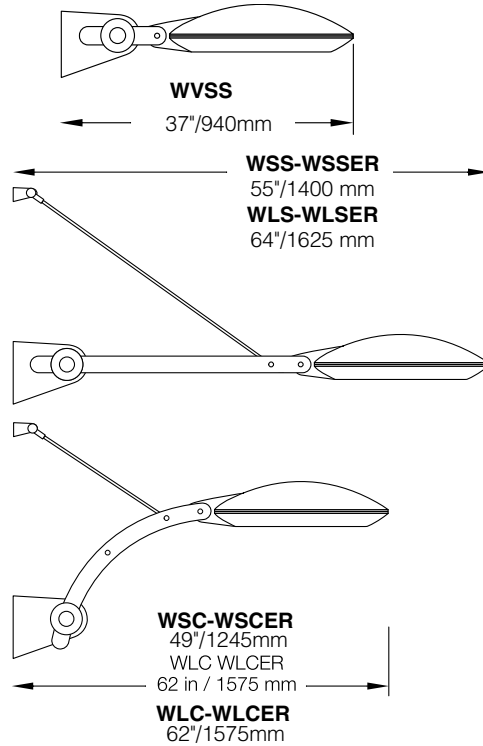
16555 East Gale Ave. | City of Industry | CA 91745
 P 626.968.5666 | F 626.369.2695 | www.aal.net
 Design patents, Copyright © 2010 Rev 03/2010

Luminaire	Lamp/Ballast	Color	Options	Mounting
1	2	3	4	5

Fixed Arm



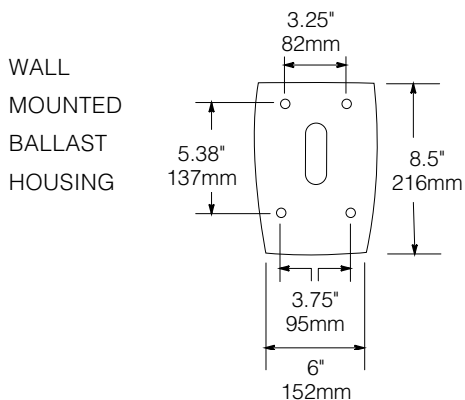
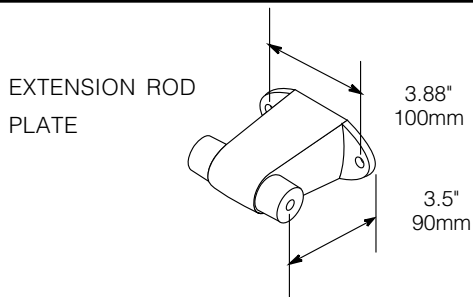
Wall Mount Arm



Fixed Arm		WT	EPA
<input type="checkbox"/>	FA4 Attaches to the side of a 4"/100mm pole	55	1.12
<input type="checkbox"/>	FA5 Attaches to the side of a 5"/127mm pole	55	1.12

Two individual arms can be mounted to a pole at a 180° orientation.

WALL MOUNTED

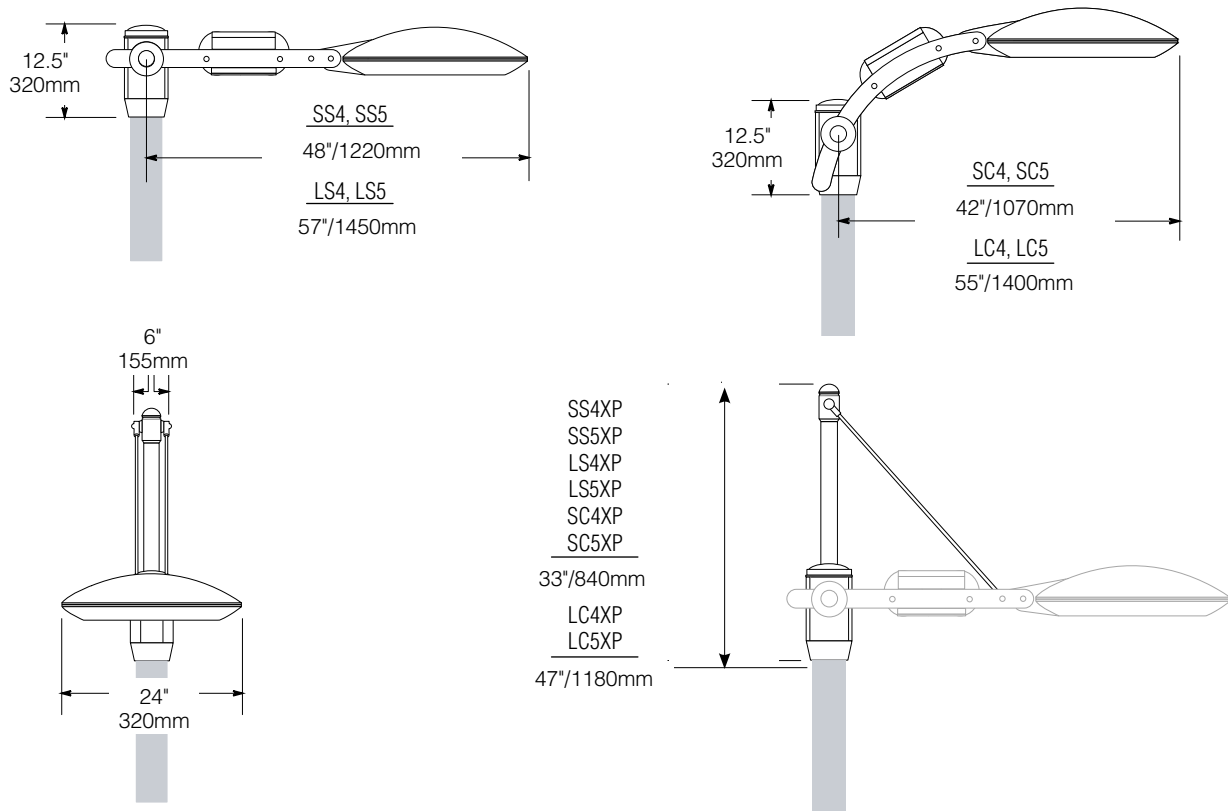


Wall Mount Arm		WT	EPA
<input type="checkbox"/>	WVSS Very short straight arm	48	.93
<input type="checkbox"/>	WSS Short straight arm	53	1.47
<input type="checkbox"/>	WLS Long straight arm	55	1.63
<input type="checkbox"/>	WSC Short curved arm	53	1.67
<input type="checkbox"/>	WLC Long curved arm	56	1.85

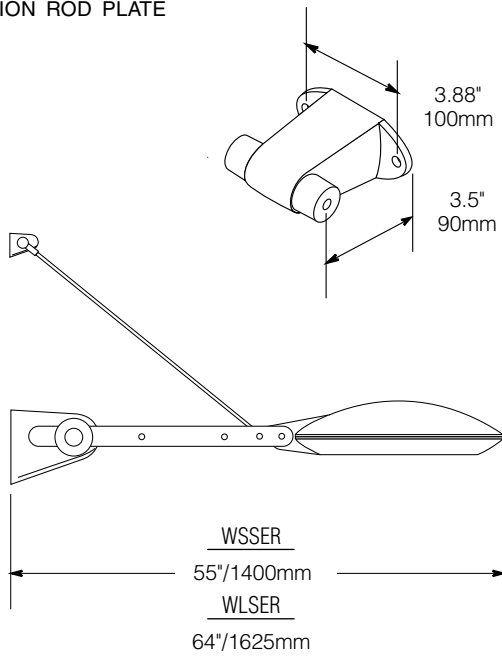
Wall Mount Arm with Extension		WT	EPA
<input type="checkbox"/>	WSSER Short straight arm with extension rods and wall plate	50	1.53
<input type="checkbox"/>	WLSER Long straight arm with extension rods and wall plate	57	1.69
<input type="checkbox"/>	WSCER Short curved arm with extension rods and wall plate	55	1.54
<input type="checkbox"/>	WLCER Long curved arm with extension rods and wall plate	58	1.91

Hardware for properly mounting the arm and wall plate (for extension rods) provided by others.

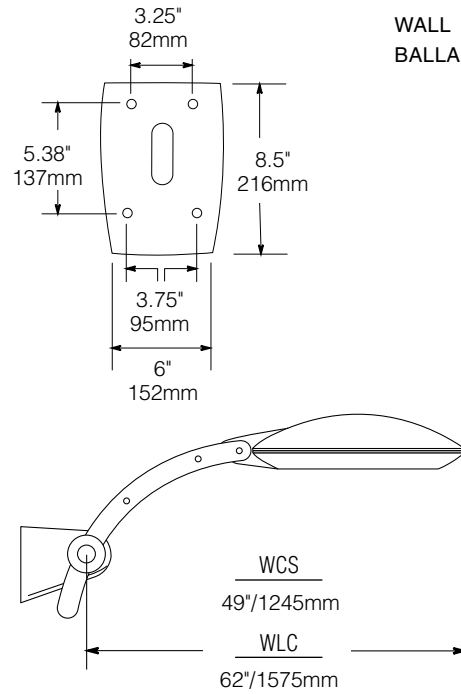
Architectural Area Lighting



EXTENSION ROD PLATE

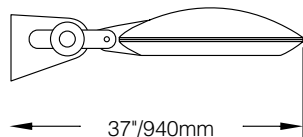


WALL MOUNTED BALLAST HOUSING



Architectural Area Lighting

Specifications



LAMP MODULE

The lamp housing shall be two-piece die-cast aluminum. The internal reflector module is sealed from the outer housing with a one-piece memory retentive molded silicone gasket. Two push button latches release the hinged door that swings down to allow access to the lamp. The lamp module shall be attached to the arm module with four stainless steel bolts.

The reflector module shall be composed of faceted, specular and semi specular anodized aluminum panels rigidly attached in an aluminum tray. The reflector tray shall be aluminum. The reflector shall be easily removed by loosening four screws and lifting it out the tray. The reflector tray shall be rotatable on 90° centers for orienting the light distribution. The reflectors shall meet ANSI-IES standards for full cutoff reflector systems.

BALLAST MODULE

The ballast housing shall be two-piece die-cast aluminum. The ballast door shall swing down for servicing by loosening two captive bolts. The door shall be removable by a lift and shift motion. The ballast shall be mounted on a prewired tray with a quick disconnect plug and removed by loosening two captive screws. HID ballasts are high power factor, rated for -30°C starting. Electronic ballasts for metal halide lamps are sound rated A. All sockets are pulse rated porcelain. Ballasts are multi-tap, wired at the factory for 277 volts, unless specified.

ARM MODULE

The arm module shall consist of two stainless steel rails that attach to the lamp module, ballast module and post top (or wall mounted) module. The cables between modules shall be sheathed in a flexible stainless steel hose with stainless steel fittings. The extended post arms shall have a cast post extension and top cap with two stainless steel tubes. The tubes shall be field trimmed to fit straight arms that are pivoted up 30°.

INSTALLATION & MOUNTING

The Flex shall be factory supplied as a complete, prewired assembly including the lamp module, ballast, arm and post top (or wall mounted). The post top shall slip over a 4"/100mm or 5"/127mm open top pole and be secured with six stainless steel set screws. The set screws are also used to level the assembly on the pole.

FINISH

Fixture finish consists of a five stage pretreatment regimen with a polymer primer sealer, oven dry off and top coated with a thermoset super TGIC polyester powder coat finish. The finish shall meet the AAMA 605.2 performance specification which includes passing a 3000 hour salt spray test for corrosion resistance.

EISA COMPLIANCE

AAL is committed to complying with U.S. EISA requirements. All applicable products manufactured for sale in the United States after January 1, 2009, meet EISA requirements.

CERTIFICATION

The fixture shall be listed with ETL for outdoor, wet location use. Conforms to UL1598 and Canadian CSA Std. C22.2 no.250. IP=65.

WARRANTY

Fixture is warranted for three years. Ballast components carry the ballast manufacturer's limited warranty. Any unauthorized return, repair, replacement or modification of the Product(s) shall void this warranty. This warranty applies only to the use of the Product(s) as intended by AAL and does not cover any misapplication or misuse of said Product(s), or installation in hazardous or corrosive environments. Contact AAL for complete warranty language, exceptions, and limitations.

Architectural Area Lighting

16555 East Gale Ave. | City of Industry | CA 91745
P 626.968.5666 | F 626.369.2695 | www.aal.net
Design patents, Copyright © 2010 Rev 03/2010