

DESIGNER
SSL SERIES
 FEATURING
MICROEMITTER™
TECHNOLOGY



LifeShield™
 Protection System

- Part of AAL's Designer SSL Series
- Featuring highly efficient, exclusive MicroEmitter™ reflector technology
 - 99 LED array (112 average total input watts)
 - Two standard color temperatures: 3500K or 5100K
 - IES Type 2, 3, 4 or 5 distribution patterns
- Field replaceable LED EmitterDeck™ upgrade kits for existing Flex HID or CFL models available
- Features exclusive LifeShield™ Protection System for extreme weather conditions (-30°C to 60°C)
- 0 - 10v dimming capabilities
- Surge protection included
- Wide variety of arm configurations including single, double, triple and quad
- IP65 rated
- Powder coat finish in 13 standard colors with a polymer primer sealer



Architectural Area Lighting

16555 East Gale Ave. | City of Industry | CA 91745
 P 626.968.5666 | F 626.369.2695 | www.aal.net
 Design patents, Copyright © 2010 11/2010

PATENTS PENDING




1. Luminaire/LED Configuration	2. Options	3. Color	4. Mounting
FH-T3-99LED-BW	—	MDG	SS4

1. LUMINAIRE/LED CONFIGURATION

- FH-T2-99LED-WW IES Type 2 distribution. 99 light emitting diode array (112 watts). Class 1, 120 thru 277 volt. Warm white (3500K).

- FH-T2-99LED-BW IES Type 2 distribution. 99 light emitting diode array (112 watts). Class 1, 120 thru 277 volt. Bright white (5100K).


- FH-T3-99LED-WW IES Type 3 distribution. 99 light emitting diode array (112 watts). Class 1, 120 thru 277 volt. Warm white (3500K).

- FH-T3-99LED-BW IES Type 3 distribution. 99 light emitting diode array (112 watts). Class 1, 120 thru 277 volt. Bright white (5100K). 

- FH-T4-99LED-WW IES Type 4 distribution. 99 light emitting diode array (112 watts),. Class 1, 120 thru 277 volt. Warm white (3500K).

- FH-T4-99LED-BW IES Type 4 distribution. 99 light emitting diode array (112 watts). Class 1, 120 thru 277 volt. Bright white (5100K).

- FH-T5-99LED-WW IES Type 5 distribution. 99 light emitting diode array (112 watts). Class 1, 120 thru 277 volt. Warm white (3500K).

- FH-T5-99LED-BW IES Type 5 distribution 99 light emitting diode array (112 watts). Class 1, 120 thru 277 volt. Bright white (5100K). 
350mA drive current

LED EMITTERDECK™ UPGRADE KIT FOR FLEX HID/CFL MODELS

A field replaceable upgrade kit is available for existing FH installations. The kit comes complete with drivers and 33 LED MicroEmitters™ (99 diodes/112 watts). Please contact your AAL Sales Representative for complete details.

- RK3533 IES Type 2, 99 diodes (112 watts). Class 1, 120 thru 277 volt. Warm white (3500K).

- RK3534 IES Type 3, 99 diodes (112 watts). Class 1, 120 thru 277 volt. Warm white (3500K).

- RK3535 IES Type 4, 99 diodes (112 watts). Class 1, 120 thru 277 volt. Warm white (3500K).

- RK3536 IES Type 5, 99 diodes (112 watts). Class 1, 120 thru 277 volt. Warm white (3500K).

- RK5133 IES Type 2, 99 diodes (112 watts). Class 1, 120 thru 277 volt. Bright white (5100K).

- RK5134 IES Type 3, 99 diodes (112 watts). Class 1, 120 thru 277 volt. Bright white (5100K).

- RK5135 IES Type 4, 99 diodes (112 watts). Class 1, 120 thru 277 volt. Bright white (5100K).

- RK5136 IES Type 5, 99 diodes (112 watts). Class 1, 120 thru 277 volt. Bright white (5100K).
350mA drive current

SOLD TO	PO #	JOB NAME	Approvals
Architectural Area Lighting 16555 East Gale Ave. City of Industry CA 91745 P 626.968.5666 F 626.369.2695 www.aal.net Design patents, Copyright © 2010 11/2010			

1. Luminaire/LED Configuration	2. Options	3. Color	4. Mounting
FH-T3-99LED-BW	—	MDG	SS4

2. OPTIONS

<input type="checkbox"/> LLD	Lightly diffused lens. Frosted, flat glass lens minimizes brightness
<input type="checkbox"/> RCK	Rock guard. Field installed on the lens frame, black finish
<input type="checkbox"/> LPC12/LPC27	Button type photocell with adjustable swivel for aiming. Requires field wiring. LPC12- 120 volt; LPC27 - 208/240/277 volt.

3. COLOR

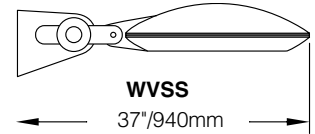
<input type="checkbox"/> AWT	Arctic White
<input type="checkbox"/> BLK	Black
<input type="checkbox"/> MTB	Matte Black
<input type="checkbox"/> DGN	Dark Green
<input type="checkbox"/> DBZ	Dark Bronze
<input type="checkbox"/> WRZ	Weathered Bronze
<input type="checkbox"/> BRM	Metallic Bronze
<input type="checkbox"/> VBL	Verde Blue
<input type="checkbox"/> CRT	Corten
<input type="checkbox"/> MAL	Matte Aluminum
<input type="checkbox"/> MDG	Medium Grey
<input type="checkbox"/> ATG	Antique Green
<input type="checkbox"/> LGY	Light Grey
<input type="checkbox"/> SPP	Salt and Pepper (premium)
<input type="checkbox"/> SFM	Seafoam (premium)
<input type="checkbox"/> WCP	Weathered Copper (premium)
<input type="checkbox"/> SHK	Shamrock (premium)
<input type="checkbox"/> RAL COLOR	Provide a RAL 4 digit color number
<input type="checkbox"/> CUSTOM COLOR	Please provide a color chip for matching

SOLD TO	PO #	JOB NAME	Approvals
Architectural Area Lighting 16555 East Gale Ave. City of Industry CA 91745 P 626.968.5666 F 626.369.2695 www.aal.net Design patents, Copyright © 2010 11/2010			

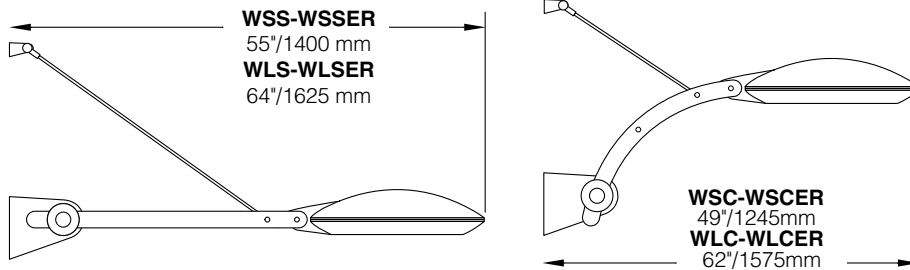
1. Luminaire/LED Configuration	2. Options	3. Color	4. Mounting
FH-T3-99LED-BW	—	MDG	WSC

4. MOUNTING

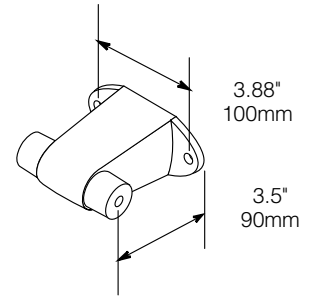
WALL MOUNT		WT	EPA
<input type="checkbox"/>	WVSS Very short straight arm.	48	.93
<input type="checkbox"/>	WSS Short straight arm.	53	1.47
<input type="checkbox"/>	WLS Long straight arm.	55	1.63
<input type="checkbox"/>	WSC Short curved arm.	53	1.67
<input type="checkbox"/>	WLC Long curved arm.	56	1.85



Wall Mount Arm with Extension



Extension Rod Plate



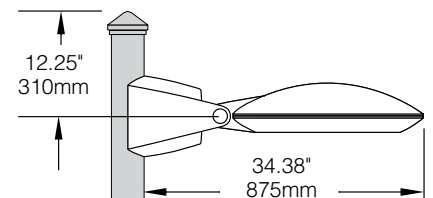
		WT	EPA
<input type="checkbox"/>	WSSER Short straight arm with extension rods and wall plate	50	1.53
<input type="checkbox"/>	WLSER Long straight arm with extension rods and wall plate	57	1.69
<input type="checkbox"/>	WSCER Short curved arm with extension rods and wall plate	55	1.54
<input type="checkbox"/>	WLCER Long curved arm with extension rods and wall plate	58	1.91

Hardware for properly mounting the arm and wall plate (for extension rods) provided by others.

POST MOUNT

Fixed Arm		WT	EPA
<input type="checkbox"/>	FA4 Attaches to the side of a 4"/100mm pole.	55	1.12
<input type="checkbox"/>	FA5 Attaches to the side of a 5"/127mm pole.	55	1.12

Two individual arms can be mounted to a pole at a 180° orientation.

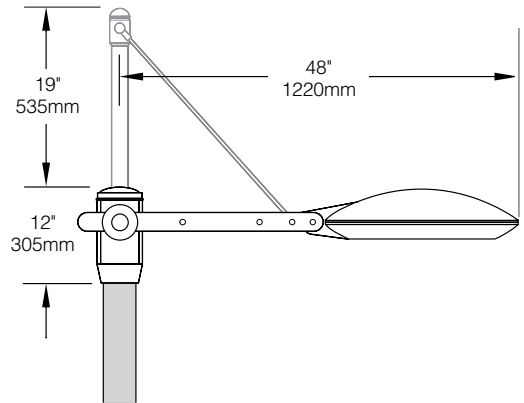


SOLD TO	PO #	JOB NAME	Approvals

Architectural Area Lighting

16555 East Gale Ave. | City of Industry | CA 91745
 P 626.968.5666 | F 626.369.2695 | www.aal.net
 Design patents, Copyright © 2010 11/2010

1. Luminaire/LED Configuration	2. Options	3. Color	4. Mounting
FH-T3-99LED-BW	—	MDG	SS4



Short Straight Arms

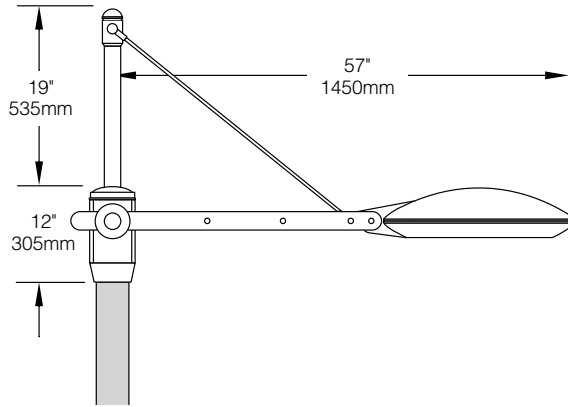
		WT	EPA
<input type="checkbox"/>	SS4 Short straight arm, slips over a 4"/100mm pole	52	1.37
<input type="checkbox"/>	SS5 Short straight arm, slips over a 5"/127mm pole	52	1.37
<input type="checkbox"/>	TSS4 Twin, short straight arm slips over a 4"/100mm pole	98	2.52
<input type="checkbox"/>	TSS5 Twin, short straight arm slips over a 5"/127mm pole	98	2.52
<input type="checkbox"/>	PSS4 3-way - T configuration, short straight arm, horizontal position only, slips over a 4"/100mm pole	144	3.13
<input type="checkbox"/>	PSS5 3-way - T configuration, short straight arm, horizontal position only, slips over a 5"/127mm pole	144	3.13
<input type="checkbox"/>	QSS4 4-way, short straight arm, horizontal position only, slips over a 4"/100mm pole	144	3.90
<input type="checkbox"/>	QSS5 4-way, short straight arm, horizontal position only, slips over a 5"/127mm pole	144	3.90

Short Straight Arms with Extension

		WT	EPA
<input type="checkbox"/>	SS4XP Short straight arm with an extended post, slips over a 4"/100mm pole	56	1.55
<input type="checkbox"/>	SS5XP Short straight arm with an extended post, slips over a 5"/127mm pole	56	1.55
<input type="checkbox"/>	TSS4XP Twin short straight arm with an extended post, slips over a 4"/100mm pole	106	2.45
<input type="checkbox"/>	TSS5XP Twin short straight arm with an extended post, slips over a 5"/127mm pole	106	2.45
<input type="checkbox"/>	PSS4XP 3-way - T configuration, short straight arm with an extended post, horizontal position only, slips over a 4"/100mm pole	156	3.06
<input type="checkbox"/>	PSS5XP 3-way - T configuration, short straight arm with an extended post, horizontal position only, slips over a 5"/127mm pole	156	3.06
<input type="checkbox"/>	QSS4XP 4-way short straight arm, with an extended post, horizontal position only, slips over a 4"/100mm pole	206	4.08
<input type="checkbox"/>	QSS5XP 4-way short straight arm, with an extended post, horizontal position only, slips over a 5"/127mm pole	206	4.08

SOLD TO	PO #	JOB NAME	Approvals
Architectural Area Lighting 16555 East Gale Ave. City of Industry CA 91745 P 626.968.5666 F 626.369.2695 www.aal.net Design patents, Copyright © 2010 11/2010			

1. Luminaire/LED Configuration	2. Options	3. Color	4. Mounting
FH-T3-99LED-BW	—	MDG	LS5



Long Straight Arms

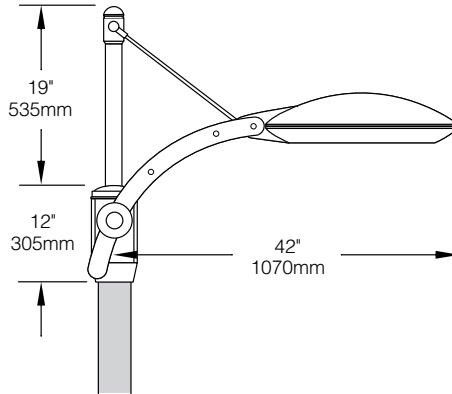
		WT	EPA
<input type="checkbox"/>	LS4 Long straight arm, slips over a 4"/100mm pole	52	1.53
<input type="checkbox"/>	LS5 Long straight arm, slips over a 5"/127mm pole	52	1.53
<input type="checkbox"/>	TLS4 Twin, long straight arm, slips over a 4"/100mm pole	98	2.84
<input type="checkbox"/>	TLS5 Twin, long straight arm, slips over a 5"/127mm pole	98	2.84
<input type="checkbox"/>	PLS4 3-way - T configuration, long straight arm, horizontal position only, slips over a 4"/100mm pole	144	3.45
<input type="checkbox"/>	PLS5 3-way - T configuration, long straight arm, horizontal position only, slips over a 5"/127mm pole	144	3.45
<input type="checkbox"/>	QLS4 4-way, long straight arm, horizontal position only, slips over a 4"/100mm pole	144	3.93
<input type="checkbox"/>	QLS5 4-way, long straight arm, horizontal position only, slips over a 5"/127mm pole	144	3.93

Long Straight Arms with Extension

		WT	EPA
<input type="checkbox"/>	LS4XP Long straight arm, with an extended post, slips over a 4"/100mm pole	56	1.71
<input type="checkbox"/>	LS5XP Long straight arm with an extended post, slips over a 5"/127mm pole	56	1.71
<input type="checkbox"/>	TLS4XP Twin long straight arm with an extended post, slips over a 4"/100mm pole	106	3.07
<input type="checkbox"/>	TLS5XP Twin long straight arm, with an extended post, slips over a 5"/127mm pole	106	3.07
<input type="checkbox"/>	PLS4XP 3-way - T configuration, long straight arm, with an extended post, horizontal position only, slips over a 4"/100mm pole	156	3.68
<input type="checkbox"/>	PLS5XP 3-way - T configuration, long straight arm, with an extended post, horizontal position only, slips over a 5"/127mm pole	156	3.68
<input type="checkbox"/>	QLS4XP 4-way long straight arm, with an extended post, horizontal position only, slips over a 4"/100mm pole	206	4.64
<input type="checkbox"/>	QLS5XP 4-way long straight arm, with an extended post, horizontal position only, slips over a 5"/127mm pole	206	4.64

SOLD TO	PO #	JOB NAME	Approvals
<p>Architectural Area Lighting 16555 East Gale Ave. City of Industry CA 91745 P 626.968.5666 F 626.369.2695 www.aal.net Design patents, Copyright © 2010 11/2010</p>			

1. Luminaire/LED Configuration	2. Options	3. Color	4. Mounting
FH-T3-99LED-BW	—	MDG	SC5XP



Short Curved Arms

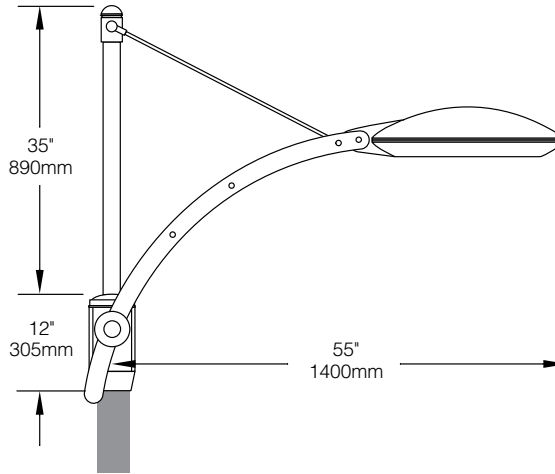
		WT	EPA
<input type="checkbox"/>	SC4 Short curved arm, slips over a 4"/100mm pole	52	1.38
<input type="checkbox"/>	SC5 Short curved arm, slips over a 5"/127mm pole	52	1.38
<input type="checkbox"/>	TSC4 Twin, short curved arm slips over a 4"/100mm pole	98	2.54
<input type="checkbox"/>	TSC5 Twin, short curved arm slips over a 5"/127mm pole	98	2.54
<input type="checkbox"/>	PSC4 3-way-T configuration, short curved arm, slips over a 4"/100mm pole	147	3.15
<input type="checkbox"/>	PSC5 3-way-T configuration, short curved arm, slips over a 5"/127mm pole	147	3.15
<input type="checkbox"/>	QSC4 4-way, short curved arm, slips over a 4"/100mm pole	193	3.97
<input type="checkbox"/>	QSC5 4-way, short curved arm, slips over a 5"/127mm pole	193	3.97

Short Curved Arms with Extension

		WT	EPA
<input type="checkbox"/>	SC4XP Short curved arm with an extended post, slips over a 4"/100mm pole	56	1.54
<input type="checkbox"/>	SC5XP Short curved arm with an extended post, slips over a 5"/127mm pole	56	1.54
<input type="checkbox"/>	TSC4XP Twin short curved arm with an extended post, slips over a 4"/100mm pole	106	2.72
<input type="checkbox"/>	TSC5XP Twin short curved arm with an extended post, slips over a 5"/127mm pole	106	2.72
<input type="checkbox"/>	PSC4XP 3-way-T configuration, short curved arm with an extended post, slips over a 4"/100mm pole	156	3.33
<input type="checkbox"/>	PSC5XP 3-way-T configuration, short curved arm with an extended post, slips over a 5"/127mm pole	156	3.33
<input type="checkbox"/>	QSC4XP 4-way short curved arm with an extended post, slips over a 4"/100mm pole	196	4.14
<input type="checkbox"/>	QSC5XP 4-way short curved arm with an extended post, slips over a 5"/127mm pole	196	4.14

SOLD TO	PO #	JOB NAME	Approvals
Architectural Area Lighting 16555 East Gale Ave. City of Industry CA 91745 P 626.968.5666 F 626.369.2695 www.aal.net Design patents, Copyright © 2010 11/2010			

1. Luminaire/LED Configuration	2. Options	3. Color	4. Mounting
FH-T3-99LED-BW	—	MDG	LC4



Long Curved Arms			WT	EPA
<input type="checkbox"/>	LC4	Long curved arm, slips over a 4"/100mm pole	52	1.75
<input type="checkbox"/>	LC5	Long curved arm, slips over a 5"/127mm pole	52	1.75
<input type="checkbox"/>	TLC4	Twin, long curved arm slips over a 4"/100mm pole	98	3.28
<input type="checkbox"/>	TLC5	Twin, long curved arm slips over a 5"/127mm pole	98	3.28
<input type="checkbox"/>	PLC4	3-way-T configuration, long curved arm, slips over a 4"/100mm pole	144	3.89
<input type="checkbox"/>	PLC5	3-way-T configuration, long curved arm, slips over a 5"/127mm pole	144	3.89
<input type="checkbox"/>	QLC4	4-way, long curved arm, slips over a 4"/100mm pole	197	5.16
<input type="checkbox"/>	QLC5	4-way, long curved arm, slips over a 5"/127mm pole	197	5.16

Long Curved Arms with Extension			WT	EPA
<input type="checkbox"/>	LC4XP	Long curved arm with an extended post, slips over a 4"/100mm pole	56	2.04
<input type="checkbox"/>	LC5XP	Long curved arm with an extended post, slips over a 5"/127mm pole	56	2.04
<input type="checkbox"/>	TLC4XP	Twin long curved arm with an extended post, slips over a 4"/100mm pole	106	3.60
<input type="checkbox"/>	TLC5XP	Twin long curved arm with an extended post, slips over a 5"/127mm pole	106	3.60
<input type="checkbox"/>	PLC4XP	3-way-T configuration, long curved arm with an extended post, slips over a 4"/100mm pole	156	4.21
<input type="checkbox"/>	PLC5XP	3-way-T configuration, long curved arm with an extended post, slips over a 5"/127mm pole	156	4.21
<input type="checkbox"/>	QLC4XP	4-way long curved arm with an extended post, slips over a 4"/100mm pole	200	5.44
<input type="checkbox"/>	QLC5XP	4-way long curved arm with an extended post, slips over a 5"/127mm pole	200	5.44

SOLD TO	PO #	JOB NAME	Approvals
Architectural Area Lighting 16555 East Gale Ave. City of Industry CA 91745 P 626.968.5666 F 626.369.2695 www.aal.net Design patents, Copyright © 2010 11/2010			

1. Luminaire/LED Configuration

FH-T3-99LED-BW

2. Options

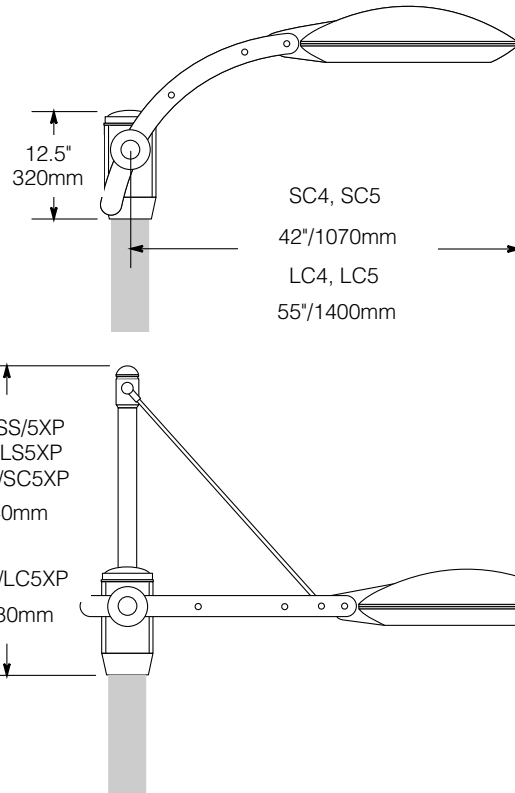
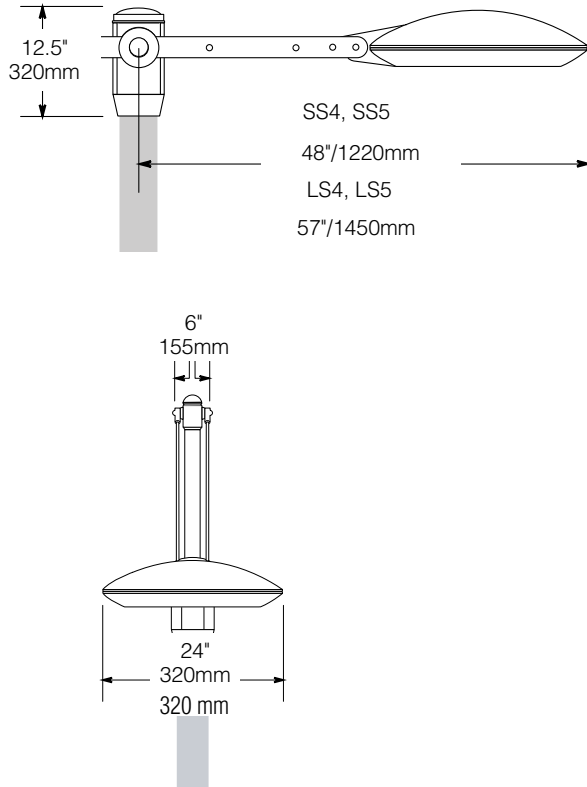
—

3. Color

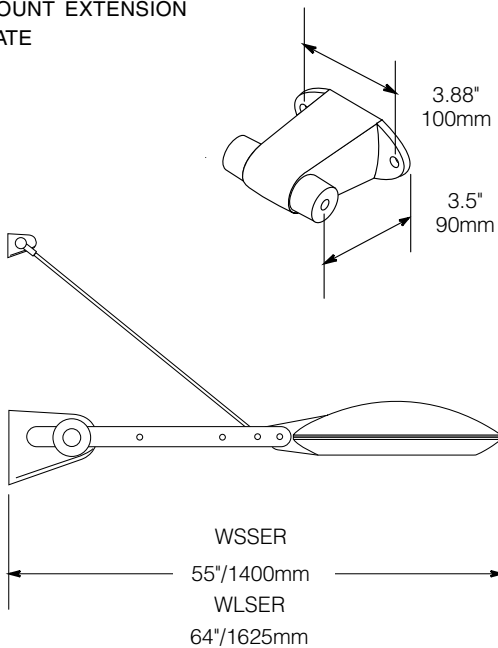
MDG

4. Mounting

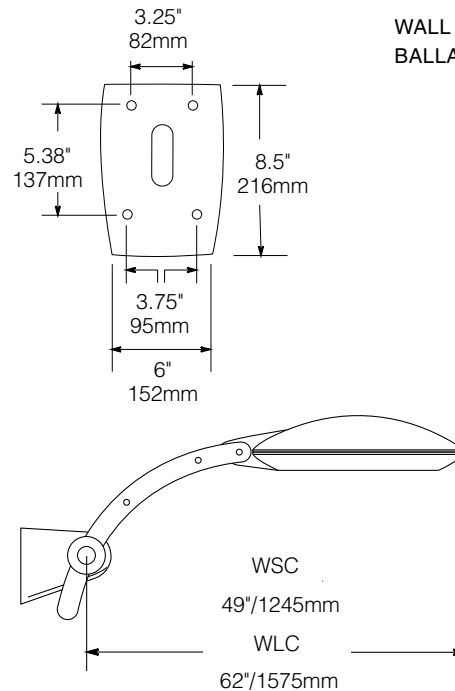
SS4



WALL MOUNT EXTENSION ROD PLATE



WALL MOUNTED BALLAST HOUSING



Architectural Area Lighting

Specifications

HOUSING

The fixture housing shall be two-piece die-cast aluminum. The internal reflector module is sealed from the outer housing with a one-piece memory retentive silicone gasket. Two recessed push latches release the hinged door that swings down to allow access to the LED array. The lamp module shall be attached to the arm module with four stainless steel screws.

UPGRADE KITS

Field replaceable upgrade kits available for FH reflector models. An entire EmitterDeck mounting assembly, including driver and 33 LED MicroEmitters (99 diodes/ 112 watts), is provided.

ELECTRICAL

120 thru 277 volt. All electrical components are mounted directly to the driver tray for maximum heat dissipation. Class 1 electrical classification. 0 - 10v dimming capabilities. LifeShield™ Protection System included for extreme temperature locations (-30°C to 60°C). 120/277 volt Universal with 9mA maximum input current and 1mA maximum drive current. Input power 0.5 watt for 120 volt and 1.25 watt for 277 volt. The onboard surge protector shall be U.L. recognized and have a surge current rating of 10,000 Amps using the industry standard 8/20uSec wave. The surge protector shall have a clamping voltage of 320V and surge rating of 372J. LED constant current driver operates at 350mA.

MICROEMITTER™ REFLECTOR

Precision injection molded, high specular parabolic reflectors are positioned to achieve directional control toward desired task. Secondary reflectors with a concave, specular medium hammertone finish are used to redirect light downward. No fasteners are placed on the reflective surface. The entire assembly fastens to the housing as a one-piece module and features wiring quick-connects for easy installation. Standard color temperatures for Nichia LEDs, NS6L183 and NS6W183, are 3500K and 5100K. Rated luminous efficacy is ≥ 40 lm/W, with rated light output of ≥ 2864 for 5100K LED, standard mount. MicroEmitters are field replaceable.

ARM MODULE

The arm module shall consist of two stainless steel rails that attach to the fixture housing and post top (or wall mount) module. The cables between modules shall be sheathed in a flexible stainless steel hose with stainless steel fittings. The extended post arms shall have a cast post extension and top cap with two stainless steel tubes. The tubes shall be field trimmed to fit straight arms that are pivoted up 30°.

INSTALLATION AND MOUNTING

The Flex LED shall be factory supplied as a complete, prewired assembly including, LED array, driver, arm and post top (or wall mount). The post top shall slip over a 4"/100mm or 5"/127mm open top pole and be secured with six stainless steel set screws.

FINISH

Fixture finish consists of a five stage pretreatment regimen with a polymer primer sealer, oven dry off, and top coated with a thermoset super TGIC polyester powder coat finish. The finish shall meet the AAMA 605.2 performance specification which includes passing a 3000 hour salt spray test for corrosion resistance.

CERTIFICATION

The fixture shall be listed with ETL for outdoor, wet location use. Conforms to the UL1598 and Canadian CSA Std. C22.2 no.250 standard. IP65.

WARRANTY **5 YEAR WARRANTY**

Flex LED, including housing, LEDs and electrical components, is warranted for five years. Any unauthorized return, repair, replacement or modification of the Product(s) shall void this warranty. This warranty applies only to the use of the Product(s) as intended by AAL and does not cover poles, arms, mounting, or any misapplication or misuse of said Product(s), or installation in hazardous or corrosive environments. Contact AAL for complete warranty language, exceptions, and limitations. AAL reserves the right to change product specifications without notice.

AAL reserves the right to change product specifications without notice.



Architectural Area Lighting

16555 East Gale Ave. | City of Industry | CA 91745
P 626.968.5666 | F 626.369.2695 | www.aal.net
Design patents, Copyright © 2010 11/2010

PATENTS PENDING

