

Updated: 01/2010

INDF



INDA



- Integral ballast assembly in fixture for easy installation
- Available with highly efficient LEDs
- Lightweight aluminum composite upper reflector minimizes pole stress
- Stainless steel vertical struts
- Round or square upper reflectors available
- Reflector tilts and locks at 0, 15 or 30 degrees
- EISA compliant
- IP 66 rating
- Powder coat finish in 13 standard colors with a polymer primer sealer



Architectural Area Lighting

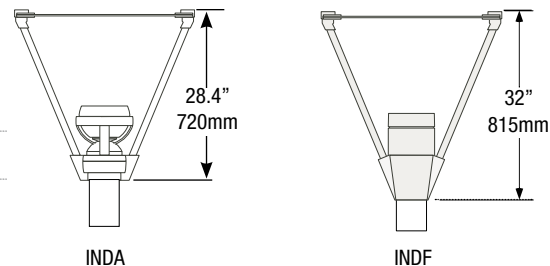
16555 East Gale Ave. | City of Industry | CA 91745
P 626.968.5666 | F 626.369.2695 | www.aal.net
Design patents, Copyright © 2010 Rev 01/2010



Fixture	Reflector	Lamp/Ballast	Mounting	Options	Color
1	2	3	4	5	6

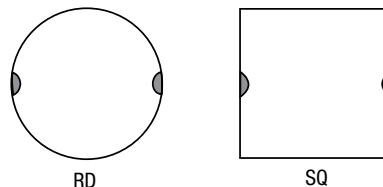
1. FIXTURE

- INDA** Adjustable head. Slips over a 5"/127mm O.D. pole.
- INDF** Fixed head. Slips over a 5"/127mm O.D. pole.



2. REFLECTOR - UPPER

- RD** 30 inch round upper reflector
- SQ** 30 inch square upper reflector



3. LAMP/BALLAST

- CF** Electronic 120 thru 277 volt ballast. -18°C starting temp. Use 4-pin 26, 32 or 42 watt lamp. Specify wattage. **For INDA - 26 watts only.**
- 70MH** 70 watt metal halide 120/208/240/277 volt ballast. Use medium base, ED-17 lamp. **For INDF model only.**
- 70MHEB** 70 watt electronic metal halide 120 thru 277 volt ballast. Use medium base, ED-17 lamp. **For INDF model only.**
- 70MHT6** 70 watt metal halide 120/277 volt ballast. Use G12 base, T-6 ceramic lamp.
- 70MHT6EB** 70 watt electronic metal halide 120 thru 277 volt ballast. Use G12 base, T-6 ceramic lamp.
- 100MH** 100 watt metal halide 120/208/240/277 volt ballast. Use medium base, ED-17 lamp. **For INDF model only.**
- 150MHEB** 150 watt electronic metal halide 120 thru 277 volt ballast. Use medium base, ED-17 lamp. **For INDF model only.**
- 150PSMH** Pulse start 150 watt metal halide 120/208/240/277 volt ballast. Use medium base ED-17 lamp. **For INDF model only.**
- 150PSMHT6** Pulse start 150 watt metal halide 120/208/240/277 volt ballast. Use G12 base, T-6 lamp.
- IL-55** 55 watt induction lamp system with generator. -25°C start temp. Specify 120, 208, 240 or 277 volt. **For INDF model only.**
- IL-85** 85 watt induction lamp system with generator. -25°C start temp. Specify 120, 208, 240 or 277 volt. **For INDF model only.**
- 30LED-WW** 30 light emitting diode array (33 watt). Warm white (3500K). 120 thru 277 volt.
- 30LED-BW** 30 light emitting diode array (33 watt). Bright white (5100K). 120 thru 277 volt.

*All ballasts are factory wired for 277 volts. Lamps not included (except IL and LED options).
All applicable ballasts are EISA compliant*

SOLD TO	PO #	JOB NAME	Approvals
---------	------	----------	-----------

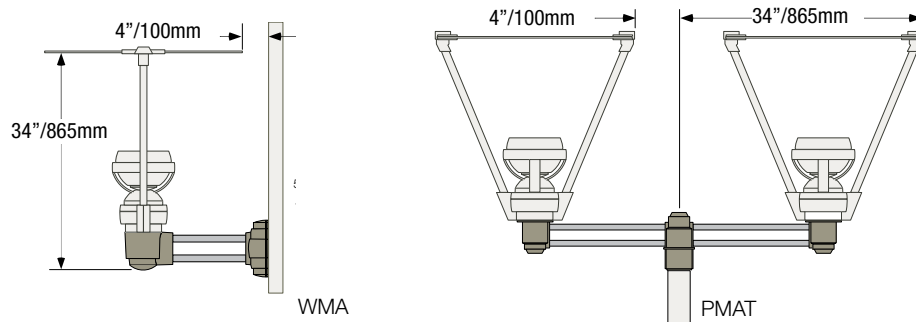
Architectural Area Lighting

16555 East Gale Ave. | City of Industry | CA 91745
 P 626.968.5666 | F 626.369.2695 | www.aal.net
 Design patents, Copyright © 2010 Rev 01/2010

Fixture	Reflector	Lamp/Ballast	Mounting	Options	Color
1	2	3	4	5	

4. MOUNTING

- WMA Wall mounted arm, 10 lbs. EPA: 0.68
- PMAT Twin pole mount arm, slips over a 4"/100mm O.D. pole or tenon, 14 lbs. EPA: 0.83



5. OPTIONS

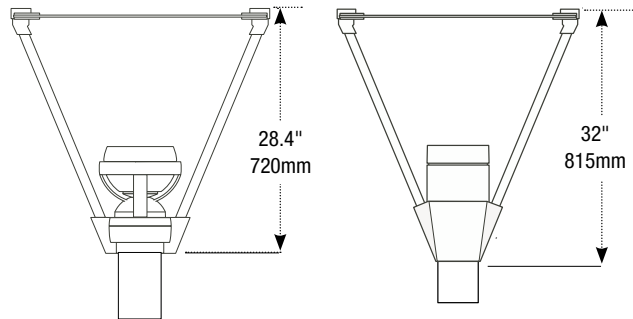
- CDC Center deflector cone for round reflector. Provides a wider light distribution.
- SR Two aluminum rings attached to the fixture. Factory installed. **INDA only.**
- CFH Color filter holder attached to the fixture. Factory installed. **INDA only.**
- LAMP70 Philips® 70 watt clear T-6 ceramic metal halide lamp, CDM70/T6/830.
- LAMP150 Philips® 150 watt clear T-6 ceramic metal halide lamp, CDM70/T6/830.
- AD5 Cast aluminum adapter for the PMAT arm to slip over a 5"/127mm O.D. pole.

6. COLOR

- AWT Arctic White
- BLK Black
- MTB Matte Black
- DGN Dark Green
- DBZ Dark Bronze
- WRZ Weathered Bronze
- BRM Metallic Bronze
- VBL Verde Blue
- CRT Corten
- MAL Matte Aluminum
- MDG Medium Grey
- ATG Antique Green
- LGY Light Grey
- RAL/PREMIUM COLOR Provide a RAL 4 digit color number
- CUSTOM COLOR Please provide a color chip for matching

SOLD TO	PO #	JOB NAME	Approvals
Architectural Area Lighting 16555 East Gale Ave. City of Industry CA 91745 P 626.968.5666 F 626.369.2695 www.aal.net Design patents, Copyright © 2010 Rev 01/2010			

Specifications



UPPER REFLECTOR

The upper reflector shall be a light weight aluminum composite. The reflector shall be finished in a white, fluoropolymer finish. The reflector shall be attached to the cast aluminum pivot joints and secured with four stainless steel bolts. Two cast aluminum, adjustable knuckles shall connect the reflector assembly to the vertical, stainless steel struts. The struts are #304 stainless steel with a minimum .250" wall thickness. The struts shall have threaded connections for attachment to the upper reflector and the lamp module.

REFLECTOR ADJUSTMENT

The Indirect upper reflector can be tilted 15 or 30 degrees for an asymmetrical light distribution. The locking clamp design ensures a consistent tilt angle on all fixtures. The Indirect model INDA has an adjustable lamp head to focus the light beam onto the center of the shade, when the shade is tilted. This improves efficiency and minimizes any stray light beyond the reflector.

LAMP MODULE

The reflector shall be enclosed in cast aluminum housing. The front cover is secured with four cap screws for relamping and internal access. The front glass element is clear, tempered glass. The front cover and electrical module are sealed with memory retentive, molded silicone gaskets.

The parabolic reflector shall be prefocused to illuminate the upper reflector with no stray light beyond the reflector. The fixture shall be IES rated as a cutoff luminaire. The INDA model lamp module swivels, to center the beam on a tilted reflector, by loosening two stainless steel cap screws. All internal and external hardware is stainless steel.

HOUSING

The INDA and INDF post top models shall slip over a 5"/127mm O.D. pole.

ELECTRICAL MODULE

The ballast is mounted on a prewired plate with a quick disconnect plug. Magnetic metal halide ballasts are high power factor, rated for -30°C starting. Electronic metal halide ballasts are rated for -30°C starting, sound rating A, 120 thru 277 volt. Sockets are pulse rated porcelain, bi-pin, G12 for T-6 lamps. A porcelain screw base for the mini-cand T-4 halogen lamp. The compact fluorescent shall have an electronic transformer, 120 thru 277 volt.

FINISH

Fixture finish consists of a five stage pretreatment regimen with a polymer primer sealer, oven dry off and top coated with a thermoset super TGIC polyester powder coat finish. The finish shall meet the AAMA 605.2 performance specification which includes passing a 3000 hour salt spray test for corrosion resistance.

The reflector shall be painted white. The vertical struts are stainless steel. All other fixture parts shall be finished in the same specified color.

CERTIFICATION

The fixture shall be listed with ETL and U.L. for outdoor, wet location use, UL1598 and Canadian CSA Std. C22.2 NO.250. IP=66

EPA: INDA or INDF

round upper reflector/ 0° tilt: 3.65

square upper reflector/ 0° tilt: 4.40

round upper reflector/ 30° tilt: 6.52

square upper reflector/ 30° tilt: 6.62

EISA COMPLIANCE

AAL is committed to complying with U.S. EISA requirements. All applicable products manufactured for sale in the United States after January 1, 2009, meet EISA requirements.

WARRANTY

Fixture is warranted for three years. Ballast components carry the ballast manufacturer's limited warranty. Any unauthorized return, repair, replacement or modification of the Product(s) shall void this warranty. This warranty applies only to the use of the Product(s) as intended by AAL and does not cover any misapplication or misuse of said Product(s), or installation in hazardous or corrosive environments. Contact AAL for complete warranty language, exceptions, and limitations.

Note: The Indirect is not suitable for high wind loading areas. Do not install these products between buildings or other unusual zones where wind may exceed normal loads.

Architectural Area Lighting

16555 East Gale Ave. | City of Industry | CA 91745
 P 626.968.5666 | F 626.369.2695 | www.aal.net
 Design patents, Copyright © 2010 Rev 01/2010