

Bollard

Updated: 01/2010



- Full cutoff
- Wide distribution
- Cast aluminum construction
- Vandal resistant
- EISA compliant
- IP65 rated
- Powder coat finish in 13 standard colors with a polymer primer sealer



Architectural Area Lighting

16555 East Gale Ave. | City of Industry | CA 91745
P 626.968.5666 | F 626.369.2695 | www.aal.net
Design patents, Copyright © 2010 Rev 01/2010



Fixture	Options	Color
1	2	3

1. FIXTURE

- M4-CF Single head bollard with 120 thru 277 volt electronic ballast for 26, 32 or 42 watt 4 pin compact fluorescent lamp. Specify wattage. -18°C min start temp.

- M4T-CF Twin head bollard with 120 thru 277 volt electronic ballast for 26, 32 or 42 watt 4 pin compact fluorescent lamp. Specify wattage. -18°C min start temp.

2. OPTIONS

- BBU Battery backup powers a compact fluorescent lamp for up to 90 minutes during a power failure. Operating temp 0°C to 55°C.

3. COLOR

- AWT Arctic White

- BLK Black

- MTB Matte Black

- DGN Dark Green

- DBZ Dark Bronze

- WRZ Weathered Bronze

- BRM Metallic Bronze

- VBL Verde Blue

- CRT Corten

- MAL Matte Aluminum

- MDG Medium Grey

- ATG Antique Green

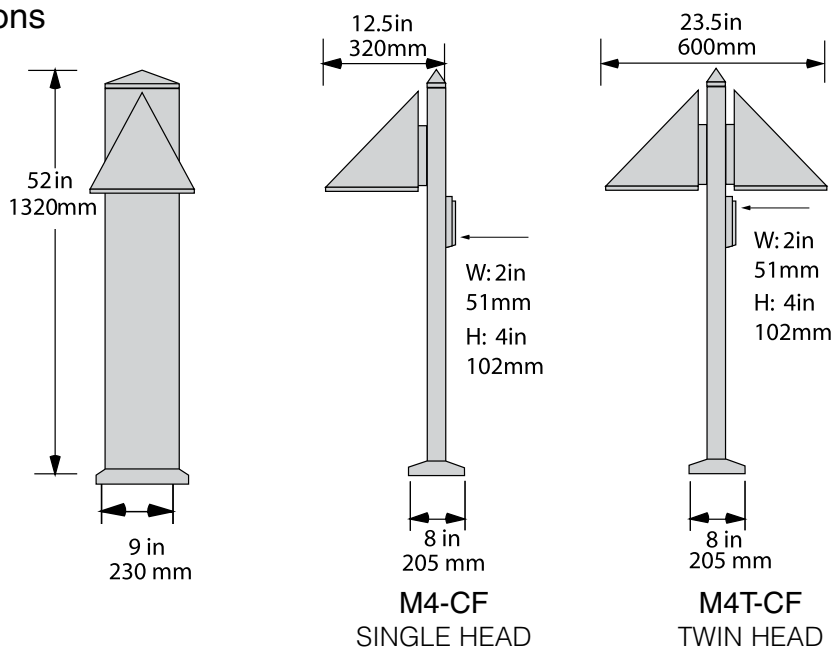
- LGY Light Grey

- RAL/PREMIUM COLOR Provide a RAL 4 digit color number

- CUSTOM COLOR Please provide a color chip for matching

SOLD TO	PO #	JOB NAME	Approvals
Architectural Area Lighting 16555 East Gale Ave. City of Industry CA 91745 P 626.968.5666 F 626.369.2695 www.aal.net Design patents, Copyright © 2010 Rev 01/2010			

Specifications



HOUSING

The fixture shall be one-piece cast 356 aluminum with a minimum wall thickness of .188 inch. The lens is clear DR acrylic, sealed to the housing with a silicone gasket. The fixture is relamped by loosening four captive stainless steel fasteners. The base is heavy cast 356 aluminum with a minimum .250 inch wall thickness. The column is extruded 6061 T-6 aluminum internally welded to the base. The top cap shall be cast 356 aluminum. The fixture is mounted to the column with three stainless steel 1/4-20 fasteners and is fully gasketed.

The optical assembly shall consist of a die formed, specular Alzak® reflector with wide throw Type 2 optics. The reflector is easily removed for easy access to the ballast.

The ballast shall be electronic, rated for -18°C starting with a 4 pin, 26, 32 or 42 watt lamp socket. The ballast is factory mounted and wired in the housing.

FINISH

Fixture finish consists of a five stage pretreatment regimen with a polymer primer sealer, oven dry off and top coated with a thermoset super TGIC polyester powder coat finish. The finish shall meet the AAMA 605.2 performance specification which includes passing a 3000 hour salt spray test for corrosion resistance.

EISA COMPLIANCE

AAL is committed to complying with U.S. EISA requirements. All applicable products manufactured for sale in the United States after January 1, 2009, meet EISA requirements.

CERTIFICATION

The fixture is listed with ETL for outdoor, wet location use, UL1598 and Canadian CSA Std. C22.2 No.250. IP=65

WARRANTY

Fixture is warranted for three years. Ballast components carry the ballast manufacturer's limited warranty. Any unauthorized return, repair, replacement or modification of the Product(s) shall void this warranty. This warranty applies only to the use of the Product(s) as intended by AAL and does not cover any misapplication or misuse of said Product(s), or installation in hazardous or corrosive environments. Contact AAL for complete warranty language, exceptions, and limitations.

Architectural Area Lighting

16555 East Gale Ave. | City of Industry | CA 91745
P 626.968.5666 | F 626.369.2695 | www.aal.net
Design patents, Copyright © 2010 Rev 01/2010