

1	2	3		4	5
LUMINAIRE	LAMP/BALLAST	OPTIONS		COLOR	MOUNTING
OS		INTERNAL	EXTERNAL		



OCULUS FAMILY OF FIXTURES



ON

OS

OL

### Features

- High intensity axial beam optics
- Field adjustable beam pattern
- Round or elliptical shape with lenses
- Now available with efficient LED, T6 and CF optics
- IP66 rated
- Powder coat finish in 13 standard colors with a polymer primer sealer

OCULUS  
SMALL SCALE HOUSING



OS

### JOB INFORMATION

TYPE

JOB NAME

LAMP (BY OTHERS)

CUSTOMER

DATE

*Consult factory for any custom/  
modified products*

APPROVALS

1	2	3		4	5
LUMINAIRE	LAMP/BALLAST	OPTIONS		COLOR	MOUNTING
OS		INTERNAL	EXTERNAL		

## 1. LUMINAIRE

OS Oculus Small

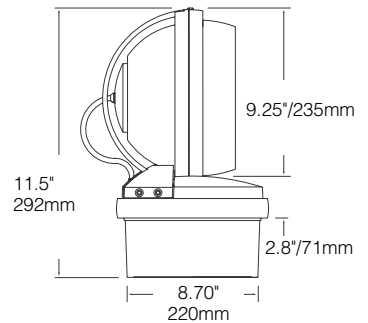
## 2. LAMP/BALLAST

- OS-30LED-WW 30 light emitting diode array (34.2 watt). Warm white (3500K). 120 thru 277 volt.
- OS-30LED-BW 30 light emitting diode array (34.8 watt). Bright white (5100K). 120 thru 277 volt.
- OS-26CF Compact fluorescent PL-T 26 watt lamp. 120 thru 277 volt electronic transformer.
- OSR-39MHT6 39 watt metal halide 120/277 volt ballast for T-6 lamp, parabolic reflector.
- OSR-39MHT6EB 39 watt metal halide electronic 120 thru 277 volt ballast for T-6 lamp, parabolic relector.
- OS-70MHT6 70 watt metal halide 120/277/347 volt ballast for T-6 lamp, parabolic reflector.
- OSR-70MHT6EB 70 watt metal halide electronic 120 thru 277 volt ballast for T-6 lamp, parabolic reflector.

*All ballasts are factory prewired for 277 volts, except electronic.  
All ballasts are factory prewired. Lamps included.*

## OPTIONAL LAMPS

- LAMP 39 Phillips 39 watt T-6 ceramic, CDM 39/T6/830
- LAMP 70 Phillips 70 watt T-6 ceramic, CDM 70/T6/830



<b>JOB INFORMATION</b> TYPE <hr/> JOB NAME <hr/> LAMP (BY OTHERS) <hr/> CUSTOMER <hr/> DATE <hr/> <p style="font-size: small; text-align: center;"><i>Consult factory for any custom/ modified products</i></p> <div style="border: 1px solid black; height: 100px; width: 100%; margin-top: 10px;"> <p style="text-align: center; font-weight: bold; font-size: small;">APPROVALS</p> </div>
---

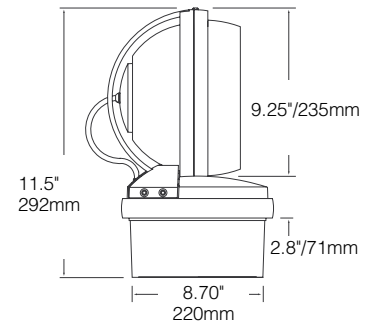
<b>1</b>	<b>2</b>	<b>3</b>		<b>4</b>	<b>5</b>
<b>LUMINAIRE</b>	<b>LAMP/BALLAST</b>	<b>OPTIONS</b>		<b>COLOR</b>	<b>MOUNTING</b>
OS		<b>INTERNAL</b>	<b>EXTERNAL</b>		

### 3. OPTIONS

**INTERNAL OPTIONS** – The accessories mount internally between the glass and reflector.

<input type="checkbox"/> <b>SLN</b>	Linear spread lens
<input type="checkbox"/> <b>SWA</b>	Wide angle spread lens
<input type="checkbox"/> <b>SRL</b>	Concentric ring louver
<input type="checkbox"/> <b>SHX</b>	Black hexcell louver

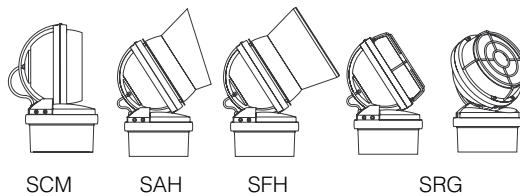
*Only one internal option per fixture.*



**EXTERNAL OPTIONS** – The hoods are aluminum with stainless steel hardware.

<input type="checkbox"/> <b>SCM</b>	Color filter holder*. Use a round glass filter*
<input type="checkbox"/> <b>SAH</b>	Angled hood shield
<input type="checkbox"/> <b>SFH</b>	Full hood shield
<input type="checkbox"/> <b>SRG</b>	Rock guard

\* Dichroic filters are available from FX Corporation, 2260 W. 500 North, Hurricane, UT 84737, (435) 635-0239, [www.fxlight.com](http://www.fxlight.com) (reference AAL-OS).



### PERFORMANCE CHART OSR OCULUS SMALL WITH REFLECTOR AND 70 WATT T-6 METAL HALIDE LAMP

(L) = LAMP IN LOW POSITION, (H) = LAMP IN HIGH POSITION

MODEL	0 DEG CP	BEAM ANGLE	FIELD ANGLE	EFF	NEMA CLASS	DISTANCE FROM FIXTURE											
						10'		20'		30'		40'		50'			
						AXIAL	CIRCLE	AXIAL	CIRCLE	AXIAL	CIRCLE	AXIAL	CIRCLE	AXIAL	CIRCLE		
OSR (L)	80,300	10.4	20.4	77.1	2	803	3.6	200	7.2	89	10.8	50	14.4	32	18.0		
OSR (H)	9,010	43	59	76.2	4	90	11.3	22	22.6	10	33.9	5.6	45.2	3.6	56.5		
OSR-SWA (L)	6,149	43	78	66.5	5	61	16.2	15	32.4	7	48.6	3.8	64.8	2.5	81.0		
OSR-SWA (H)	4,715	45	102	70.6	6	47	24.7	12	49.4	5	74.1	3.0	98.8	1.9	123.5		
OSR-SLN (L)	9,621	18V54H	34V66H	66.8	3V4H	96	6.1X13	24	12X26	11	18X39	6	24X52	3.9	31X65		
OSR-SLN (H)	3,270	48V82H	94V118H	68.6	5V6H	32	22X33	8	43X67	4	64X100	2	86X133	1.3	107X167		

**JOB INFORMATION**

TYPE \_\_\_\_\_

JOB NAME \_\_\_\_\_

LAMP (BY OTHERS) \_\_\_\_\_

CUSTOMER \_\_\_\_\_

DATE \_\_\_\_\_

*Consult factory for any custom/modified products*

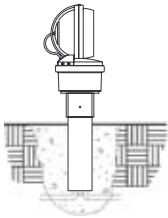
**APPROVALS**

1	2	3		4	5
LUMINAIRE	LAMP/BALLAST	OPTIONS		COLOR	MOUNTING
OS		INTERNAL	EXTERNAL		

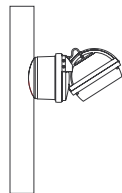
#### 4. COLOR

<input type="checkbox"/> AWT	Arctic White	<input type="checkbox"/> MAL	Matte Aluminum
<input type="checkbox"/> BLK	Black	<input type="checkbox"/> MDG	Medium Grey
<input type="checkbox"/> MTB	Matte Black	<input type="checkbox"/> ATG	Antique Green
<input type="checkbox"/> DGN	Dark Green	<input type="checkbox"/> LGY	Light Grey
<input type="checkbox"/> DBZ	Dark Bronze	<input type="checkbox"/> RAL/ PREMIUM COLOR	Provide a RAL 4 digit color number
<input type="checkbox"/> WRZ	Weathered Bronze	<input type="checkbox"/> CUSTOM COLOR	Please provide a color chip for matching
<input type="checkbox"/> BRM	Metallic Bronze		
<input type="checkbox"/> VBL	Verde Blue		
<input type="checkbox"/> CRT	Corten		

#### 5. MOUNTING



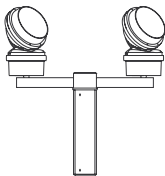
**MST**  
18" tall cast stanchion mount with a 3"/77 mm O.D. post. Cast collar slips over the post and is secured by 3 stainless steel set screws.



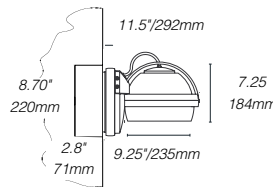
**MPS 4N**  
Cast saddle mounts to the side of a 4"/100mm O.D. round pole.



**MTE**  
Cast tenon mount slips over a 3"/77mm O.D. round post and secured with 3 stainless steel set screws.



**MTW**  
Cast twin arm and tenon slips over a 4"/100mm O.D. pole and secured with 6 stainless steel set screws. WT: 14 lbs EPA: .75



**Semi-Recess Wall Mounting**  
*Note: Apply silicone between the fixture and the finish wall.*

<b>JOB INFORMATION</b>
TYPE
JOB NAME
LAMP (BY OTHERS)
CUSTOMER
DATE
<i>Consult factory for any custom/modified products</i>
<b>APPROVALS</b>

1	2	3		4	5
LUMINAIRE	LAMP/BALLAST	OPTIONS		COLOR	MOUNTING
OS		INTERNAL	EXTERNAL		

**HOUSING**

The fixture housing is die cast aluminum. The front cover is secured with four cap screws for relamping and internal access. The front glass element is clear, tempered glass. The front cover and electrical module are sealed with memory retentive, molded silicone gaskets. The lamp module swivels 105 degrees by loosening two stainless steel cap screws. Rotation is a full 360 degrees with a cam lock stop by loosening three set screws. All internal and external hardware is stainless steel.

**OPTICAL MODULE**

The parabolic reflector is spun aluminum, polished and anodized, and snaps into the front cover with three stainless steel spring clips. The LED component features LediI® optics, an optical grade PC with high UV and temperature resistance. Internal accessories are installed between the reflector and inside cover. The adjustable socket assembly is mounted to the back of the lamp housing. The socket can be adjusted from the exterior of the fixture by turning an adjustment screw.

**ELECTRICAL MODULE**

The ballast is mounted on a prewired plate with a quick disconnect plug and removed by loosening two screws. Electronic metal halide ballasts are rated for -30°C starting, sound rating A. Sockets are pulse rated porcelain, bi-pin, G12 for T-6 metal halide lamps. Compact fluorescent sockets are 4 pin, GX24q-3,4 with an electronic ballast, -18°C starting. Wired at the factory for 277 volts, unless specified.

**FINISH**

Fixture finish consists of a five stage pretreatment regimen with a polymer primer sealer, oven dry off and top coated with a thermoset super TGIC polyester powder coat finish. The finish shall meet the AAMA 605.2 performance specification which includes passing a 3000 hour salt spray test for corrosion resistance.

**INSTALLATION**

The bottom of the ballast housing has a solid brass 1/2" NPT nipple. The deep housings have two knockouts for other means of mounting.

**CERTIFICATION**

The fixture is listed with ETL for outdoor, wet location use, UL1598 and Canadian CSA Std. C22.2 no.250. IP=66

**WARRANTY 5 YEAR WARRANTY**

Fixture is warranted for three years, or five years for LED models. Ballast components carry the ballast manufacturer's limited warranty. Any unauthorized return, repair, replacement or modification of the Product(s) shall void this warranty. This warranty applies only to the use of the Product(s) as intended by AAL and does not cover any misapplication or misuse of said Product(s), or installation in hazardous or corrosive environments. Contact AAL for complete warranty language, exceptions, and limitations.

*AAL reserves the right to change product specifications without notice.*

**Specifications**



**JOB INFORMATION**

TYPE

---

JOB NAME

---

LAMP (BY OTHERS)

---

CUSTOMER

---

DATE

---

*Consult factory for any custom/modified products*

APPROVALS

