

1	2	3	4	5
LUMINAIRE	LAMP/BALLAST	OPTIONS	COLOR	MOUNTING



PROVIDENCE
LARGE SCALE HOUSING

LifeShield™
Protection System



PROL



PROVIDENCE FAMILY OF FIXTURES



PROL

PROV

PROS

PROB

PRSC

Features

- Part of AAL's Designer SSL Series
- Featuring highly efficient, exclusive MicroEmitter™ reflector technology
 - 108 LED array (124 total input watts)
 - Two standard color temperatures: 3500K or 5100K
 - IES Type 2, 3, 4 or 5 distribution patterns
- Canted design provides even illumination with less glare
- Field replaceable LED EmitterDeck™ upgrade kits for existing PROL-H (HID/CFL) models available
- Features exclusive LifeShield™ Protection System for extreme weather conditions (-30°C to 60°C)
- 0 - 10v dimming capabilities
- Surge protection included
- IP55 rated
- Powder coat finish in 13 standard colors with a polymer primer sealer

JOB INFORMATION

TYPE

JOB NAME

LAMP (BY OTHERS)

CUSTOMER

DATE

*Consult factory for any custom/
modified products*

APPROVALS



16555 East Gale Ave.
City of Industry | CA 91745
P 626.968.5666 | F 626.369.2695
www.aal.net | Copyright © 2012

1	2	3	4	5
LUMINAIRE	LAMP/BALLAST	OPTIONS	COLOR	MOUNTING

1. LUMINAIRE

LED

- PROL-T2-108LED-WW IES Type 2 distribution. Warm white (3500K).
- PROL-T2-108LED-BW IES Type 2 distribution. Bright white (5100K).
- PROL-T3-108LED-WW IES Type 3 distribution. Warm white (3500K).
- PROL-T3-108LED-BW IES Type 3 distribution. Bright white (5100K).
- PROL-T4-108LED-WW IES Type 4 distribution. Warm white (3500K).
- PROL-T4-108LED-BW IES Type 4 distribution. Bright white (5100K).
- PROL-T5-108LED-WW IES Type 5 distribution. Warm white (3500K).
- PROL-T5-108LED-BW IES Type 5 distribution. Bright white (5100K).

*108 light emitting diode array (124 watts).
Class 1, 120 thru 277 volt. 350mA drive current.*

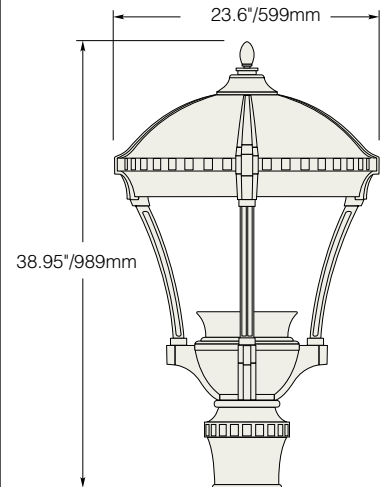
HID

- PROL-H2 Type 2 horizontal reflector, flat glass lens
- PROL-H3 Type 3 horizontal reflector, flat glass lens
- PROL-H4 Type 4 horizontal reflector, flat glass lens
- PROL-H5 Type 5 horizontal reflector, flat glass lens

2. LAMP/BALLAST

- 150PSMH Pulse start 150 watt metal halide 120/208/240/277 volt ballast. Use mogul base, ED-28 lamp.
- 250PSMH Pulse start 250 watt metal halide 120/208/240/277 volt ballast. Use mogul base, ED-28 lamp.
- 320PSMH Pulse start 320 watt metal halide 120/208/240/277 volt ballast. Use mogul base, ED-28 lamp.
- 350PSMH Pulse start 350 watt metal halide 120/208/240/277 volt ballast. Use mogul base, ED-28 lamp.
- 400PSMH Pulse start 400 watt metal halide 120/208/240/277 volt ballast. Use mogul base, ED-28 lamp.
- 150HPS 150 high pressure sodium 120/208/240/277 volt ballast. Use mogul base, ED-23 1/2 lamp.
- 200HPS 200 high pressure sodium 120/208/240/277 volt ballast. Use mogul base, ED-18 lamp.
- 250HPS 250 high pressure sodium 120/208/240/277 volt ballast. Use mogul base, ED-18 lamp.

*All ballasts are factory wired for 277 volts, unless specified. Lamps not included.
All applicable ballasts are EISA compliant.*



WEIGHT: 47 LBS
EPA 1.33

JOB INFORMATION

TYPE

JOB NAME

LAMP (BY OTHERS)

CUSTOMER

DATE

*Consult factory for any custom/
modified products*

APPROVALS

1	2	3	4	5
LUMINAIRE	LAMP/BALLAST	OPTIONS	COLOR	MOUNTING

3. OPTIONS

- SPK Decorative cast aluminum spikes on the top and bottom of the four vertical struts.

- PFN Cast aluminum finial painted a brass color.

- BPS Cast aluminum struts painted a brass color. Spikes also painted brass if chosen.

- PCA-T Rotatable photocell housing.

- HSS House side shield to cut off light behind the pole and shield the lamp from view. HSS not available for Type 5. Factory installed. **Not for LED.**

- LDL Lightly diffused lens. Frosted, flat tempered glass lens has a lightly diffused finish to minimize the lamp and reflector brightness. **Not for LED.**

- QRS Restrike controller and T-4 mini-can socket will light following power outage until HID reaches full brightness. (Lamp wattage not to exceed ballast wattage). For horizontal reflector only. **Not for LED.**

- QL Socket for T-4 mini-can lamp, field wired to a separate circuit. (Lamp wattage not to exceed ballast wattage). Must be field wired to a separate 120 volt circuit. For horizontal reflector only. **Not for LED.**

4. COLOR

- AWT Arctic White

- BLK Black

- MTB Matte Black

- DGN Dark Green

- DBZ Dark Bronze

- WRZ Weathered Bronze

- BRM Metallic Bronze

- VBL Verde Blue

- CRT Corten

- MAL Matte Aluminum

- MDG Medium Grey

- ATG Antique Green

- LGY Light Grey

- RAL/
PREMIUM
COLOR Provide a RAL 4 digit color number

- CUSTOM
COLOR Please provide a color chip for matching

<p>JOB INFORMATION</p> <p>TYPE</p> <hr/> <p>JOB NAME</p> <hr/> <p>LAMP (BY OTHERS)</p> <hr/> <p>CUSTOMER</p> <hr/> <p>DATE</p> <hr/> <p><i>Consult factory for any custom/modified products</i></p> <div style="border: 1px solid black; height: 100px; width: 100%; margin-top: 10px;"> <p style="text-align: center; padding: 5px;">APPROVALS</p> </div>

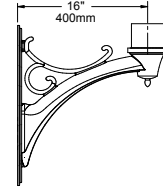
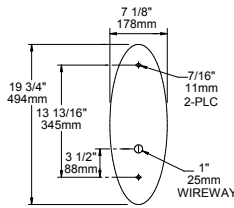
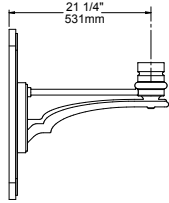
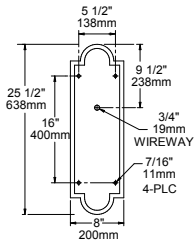


1	2	3	4	5
LUMINAIRE	LAMP/BALLAST	OPTIONS	COLOR	MOUNTING

5. MOUNTING

Select post top mount on a 5" O.D. pole or choose from a wide variety of arms.

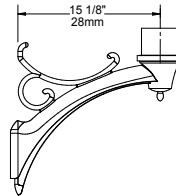
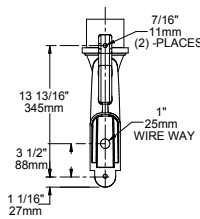
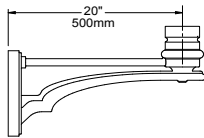
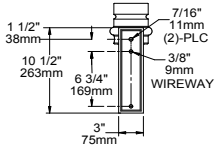
WALL MOUNT



WMA55 Wt: 10 lbs

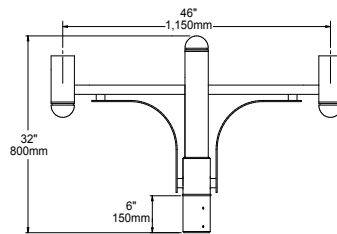
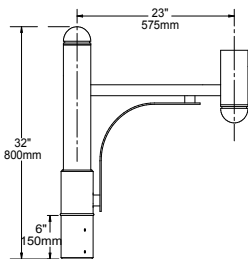
WMA56 Wt: 10 lbs

POLE MOUNT



TRA55 WT: 10 LBS EPA: .67

TRA56 WT: 8 LBS EPA: .54



SLA1 WT: 12 LBS EPA: 1.09

SLA1-2 WT: 16 LBS EPA: 1.47

JOB INFORMATION

TYPE

JOB NAME

LAMP (BY OTHERS)

CUSTOMER

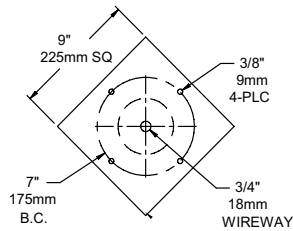
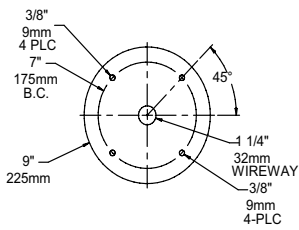
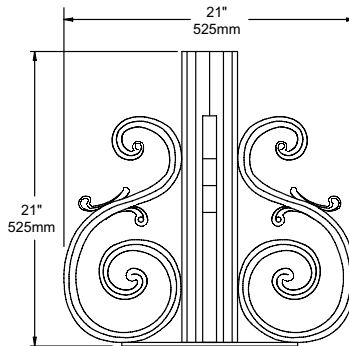
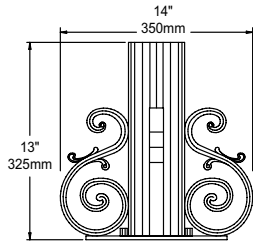
DATE

*Consult factory for any custom/
modified products*

APPROVALS

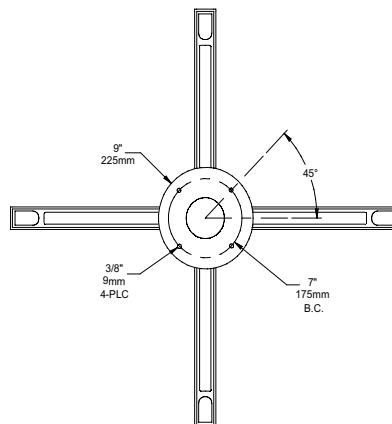
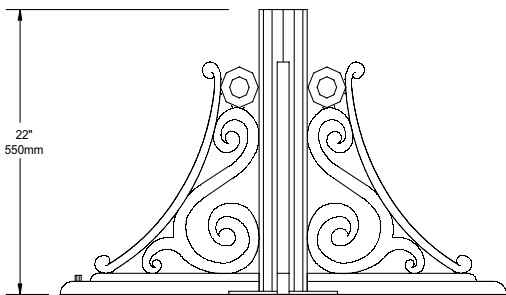
1	2	3	4	5
LUMINAIRE	LAMP/BALLAST	OPTIONS	COLOR	MOUNTING

PIER MOUNT



PM1

PM2



PM3

JOB INFORMATION

TYPE _____

JOB NAME _____

LAMP (BY OTHERS) _____

CUSTOMER _____

DATE _____

Consult factory for any custom/modified products

APPROVALS

1	2	3	4	5
LUMINAIRE	LAMP/BALLAST	OPTIONS	COLOR	MOUNTING

HOUSING

The fixture housing shall be two-piece die-cast aluminum. The internal reflector module is sealed from the outer housing with a one-piece, memory retentive, molded silicone gasket. The tempered flat glass lens shall be sealed to the housing with a silicone gasket. One recessed stainless steel latch shall release the door to allow access to the LED array.

REFLECTOR MODELS – REFLECTOR/LAMP

The upper lamp housing shall be die cast aluminum. The internal reflector module is sealed from the outer housing with a one piece, memory retentive, molded silicone gasket. The tempered glass lens shall be sealed to the housing with a silicone gasket. One stainless steel latch shall release the door to allow access to the lamp. The reflector module shall be composed of faceted, specular and semi specular anodized aluminum panels rigidly attached in a die cast aluminum housing. The reflector shall be removed without tools by releasing a pair of steel latches. The reflector tray shall be rotatable on 90° centers for orienting the light distribution. The horizontal reflectors shall meet ANSI-IES standards for full cutoff reflector systems.

REFLECTOR MODELS – BALLAST

The lower ballast housing shall be cast aluminum. The tool-less ballast access for servicing is accomplished by a quarter turn motion of the top cover. The ballast shall be mounted on a prewired tray with a quick disconnect plug attached to the underside of the cover. HID ballasts are high power factor, rated for -30°C starting. Sockets are medium base, G12 for use with T6 lamps or mogul base, pulse rated porcelain. Ballasts are wired at the factory for 277 volts, unless specified.

UPGRADE KITS

Field replaceable upgrade kits are available for PROL-H reflector models. An entire EmitterDeck assembly, including drivers and 36 LED MicroEmitters (108 diodes) for PROL, is provided. See installation instructions for complete details.

ELECTRICAL

120 thru 277 volt. All electrical components are mounted directly to the driver tray for maximum heat dissipation. Class 1 electrical classification. 0 - 10v dimming capabilities. LifeShield™ Protection System included for extreme temperature locations (-30°C to 60°C). 120/277 volt Universal with 9mA maximum input current and 1mA maximum drive current. Input power 0.5 watt for 120 volt and 1.25 watt for 277 volt. The onboard surge protector shall be U.L. recognized and have a surge current rating of 10,000 Amps using the industry standard 8/20uSec wave. The surge protector shall have a clamping voltage of 320V and surge rating of 372J. The case shall be a high-temperature, flame resistant plastic enclosure. LED constant current driver operates at 350mA.

MICROEMITTER™ REFLECTOR

Precision injection molded, high specular reflectors are positioned to achieve directional control toward desired task for IES cutoff classification. Secondary reflectors with a concave, specular medium hammertone finish are used to redirect light downward. No fasteners are placed on the reflective surface. The entire assembly fastens to the housing as a one-piece module and features wiring quick-connects for easy installation. Standard color temperatures are 3500K and 5100K. Rated luminous efficacy for PROV is >40 lm/W, with rated light output of >2864 for 5100K LED, standard mount. MicroEmitters are field replaceable.

INSTALLATION & MOUNTING

The large (PROL) Providence shall be factory supplied as a complete, prewired assembly. The PROV fitter shall slip over a 4"/100 mm, the PROL fitter shall slip over a 5"/127 mm open top pole or 4"/100mm arm and be secured and leveled with stainless steel set screws.

FINISH

Fixture finish consists of a five stage pretreatment regimen with a polymer primer sealer, oven dry off, and top coated with a thermoset super TGIC polyester powder coat finish. The finish shall meet the AAMA 605.2 performance specification which includes passing a 3000 hour salt spray test for corrosion resistance.

CERTIFICATION

The fixture shall be listed with ETL for outdoor, wet location use. Conforms to the UL1598 and Canadian CSA Std. C22.2 no.250 standard. IP55.

WARRANTY **5** YEAR WARRANTY

Providence LED, including housing LEDs and electrical components, is warranted for five years. Providence HID is warranted for 3 years. Any unauthorized return, repair, replacement or modification of the Product(s) shall void this warranty. This warranty applies only to the use of the Product(s) as intended by AAL and does not cover poles, arms, mounting, or any misapplication or misuse of said Product(s), or installation in hazardous or corrosive environments. *Contact AAL for complete warranty language, exceptions, and limitations.

AAL reserves the right to change product specifications without notice.

Specifications



JOB INFORMATION

TYPE

JOB NAME

LAMP (BY OTHERS)

CUSTOMER

DATE

Consult factory for any custom/modified products

APPROVALS

