

Large Scale



DESIGNER
SSL SERIES
 FEATURING
MICROEMITTER™
 TECHNOLOGY

LifeShield™
 Protection System

- Part of AAL's Designer SSL Series
- Featuring highly efficient, exclusive MicroEmitter™ reflector technology
 - 108 LED array (124 total input watts)
 - Two standard color temperatures: 3500K or 5100K
 - IES Type 2, 3, 4 or 5 distribution patterns
- Canted design provides even illumination with less glare
- Field replaceable LED EmitterDeck™ upgrade kits for existing PROL-H (HID/CFL) models available
- Features exclusive LifeShield™ Protection System for extreme weather conditions (-30°C to 60°C)
- 0 - 10v dimming capabilities
- Surge protection included
- IP55 rated
- Powder coat finish in 13 standard colors with a polymer primer sealer



Architectural Area Lighting

16555 East Gale Ave. | City of Industry | CA 91745
 P 626.968.5666 | F 626.369.2695 | www.aal.net
 Design patents, Copyright © 2010 11/2010

PATENTS PENDING



| 1. Luminaire/LED Configuration | 2. Color | 3. Options | 4. Mounting |
|--------------------------------|----------|------------|-------------|
| PROL-T3-108LED-BW | MTB | SPK | TRA56 |

1. LUMINAIRE/LED CONFIGURATION

- PROL-T2-108LED-WW IES Type 2 distribution. 108 light emitting diode array (124 watts). Class 1, 120 thru 277 volt. Warm white (3500K).

- PROL-T2-108LED-BW IES Type 2 distribution. 108 light emitting diode array (124 watts). Class 1, 120 thru 277 volt. Bright white (5100K).

- PROL-T3-108LED-WW IES Type 3 distribution. 108 light emitting diode array (124 watts). Class 1, 120 thru 277 volt. Warm white (3500K).

- PROL-T3-108LED-BW IES Type 3 distribution. 108 light emitting diode array (124 watts). Class 1, 120 thru 277 volt. Bright white (5100K).

- PROL-T4-108LED-WW IES Type 4 distribution. 108 light emitting diode array (124 watts). Class 1, 120 thru 277 volt. Warm white (3500K).

- PROL-T4-108LED-BW IES Type 4 distribution. 108 light emitting diode array (124 watts). Class 1, 120 thru 277 volt. Bright white (5100K).

- PROL-T5-108LED-WW IES Type 5 distribution. 108 light emitting diode array (124 watts). Class 1, 120 thru 277 volt. Warm white (3500K).

- PROL-T5-108LED-BW IES Type 5 distribution. 108 light emitting diode array (124 watts). Class 1, 120 thru 277 volt. Bright white (5100K).

350mA drive current.

LED EMITTERDECK™ UPGRADE KIT FOR PROL-H MODELS

A field replaceable upgrade kit is available for existing PROL-H (HID/CFL) reflector models. The kit comes complete with driver and 36 LED MicroEmitters (108 diodes/124 watts). Please contact your AAL representative for details.

- RK3525 IES Type 2, 108 diodes (124 watts). Class 1, 120 thru 277 volt. Warm white (3500K).
- RK3526 IES Type 3, 108 diodes (124 watts). Class 1, 120 thru 277 volt. Warm white (3500K).
- RK3527 IES Type 4, 108 diodes (124 watts). Class 1, 120 thru 277 volt. Warm white (3500K).
- RK3528 IES Type 5, 108 diodes (124 watts). Class 1, 120 thru 277 volt. Warm white (3500K).
- RK5125 IES Type 2, 108 diodes (124 watts). Class 1, 120 thru 277 volt. Bright white (5100K).
- RK5126 IES Type 3, 108 diodes (124 watts). Class 1, 120 thru 277 volt. Bright white (5100K).
- RK5127 IES Type 4, 108 diodes (124 watts). Class 1, 120 thru 277 volt. Bright white (5100K).
- RK5128 IES Type 5, 108 diodes (124 watts). Class 1, 120 thru 277 volt. Bright white (5100K).

350mA drive current

| | | | |
|---------|------|----------|-----------|
| SOLD TO | PO # | JOB NAME | Approvals |
|---------|------|----------|-----------|

Architectural Area Lighting

16555 East Gale Ave. | City of Industry | CA 91745
 P 626.968.5666 | F 626.369.2695 | www.aal.net
 Design patents, Copyright © 2010 11/2010

| 1. Luminaire/LED Configuration | 2. Color | 3. Options | 4. Mounting |
|--------------------------------|----------|------------|-------------|
| PROL-T3-108LED-BW | MTB | SPK | TRA56 |

2. COLOR

| | | | |
|------------------------------|------------------|---------------------------------------|--|
| <input type="checkbox"/> AWT | Arctic White | <input type="checkbox"/> MDG | Medium Grey |
| <input type="checkbox"/> BLK | Black | <input type="checkbox"/> ATG | Antique Green |
| <input type="checkbox"/> MTB | Matte Black | <input type="checkbox"/> LGY | Light Grey |
| <input type="checkbox"/> DGN | Dark Green | <input type="checkbox"/> SPP | Salt and Pepper (premium) |
| <input type="checkbox"/> DBZ | Dark Bronze | <input type="checkbox"/> SFM | Seafoam (premium) |
| <input type="checkbox"/> WRZ | Weathered Bronze | <input type="checkbox"/> WCP | Weathered Copper (premium) |
| <input type="checkbox"/> BRM | Metallic Bronze | <input type="checkbox"/> SHK | Shamrock (premium) |
| <input type="checkbox"/> VBL | Verde Blue | <input type="checkbox"/> RAL COLOR | Provide a RAL 4 digit color number |
| <input type="checkbox"/> CRT | Corten | <input type="checkbox"/> CUSTOM COLOR | Please provide a color chip for matching |
| <input type="checkbox"/> MAL | Matte Aluminum | | |

3. OPTIONS

| | |
|--------------------------------|--|
| <input type="checkbox"/> SPK | Decorative cast aluminum spikes on the top and bottom of four vertical struts. |
| <input type="checkbox"/> PFN | Cast aluminum finial painted a brass color. |
| <input type="checkbox"/> BPS | Cast aluminum struts painted brass color. Spikes also painted brass if SPK chosen. |
| <input type="checkbox"/> PCA-T | Rotatable photocell housing. |
| <input type="checkbox"/> LDL | Lightly diffused lens to minimize brightness and glare. |



SPK shown

4. MOUNTING

Pole mount (please visit www.aal.net for additional arm choices)

One-piece arms are prewired with quick disconnects, and use 3/8-16 hex head bolts for attaching to the pole.

| | |
|--------------------------------|--|
| <input type="checkbox"/> TRA55 | Attaches to a 4"/100mm round pole. Wt: 10lbs. EPA: .67 |
| <input type="checkbox"/> TRA56 | Attaches to a 4"/100mm round pole. Wt: 8lbs. EPA: .54 |

Wall Mount (please visit www.aal.net for additional arm choices)

One-piece arms are prewired with quick disconnects. Mounting hardware not included.

| | |
|--------------------------------|---|
| <input type="checkbox"/> WMA55 | Cast aluminum backplate. Mounting hardware by others. Wt: 14 lbs. |
| <input type="checkbox"/> WMA56 | Cast aluminum backplate. Mounting hardware by others. Wt: 10 lbs. |

SOLD TO

PO #

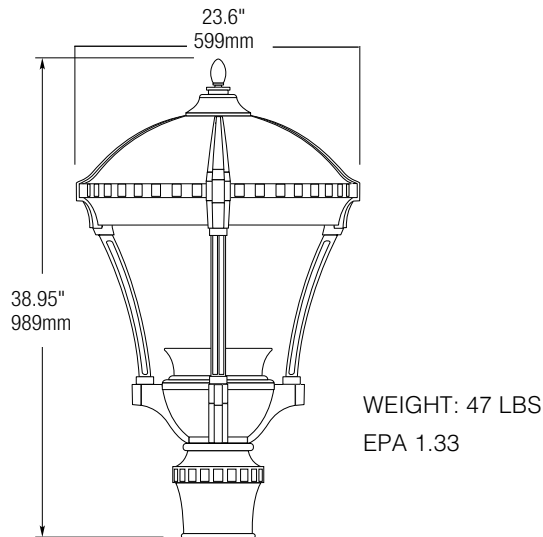
JOB NAME

Approvals

Architectural Area Lighting

16555 East Gale Ave. | City of Industry | CA 91745
 P 626.968.5666 | F 626.369.2695 | www.aal.net
 Design patents, Copyright © 2010 11/2010

Specifications



HOUSING

The fixture housing shall be two-piece die-cast aluminum. The internal reflector module is sealed from the outer housing with a one-piece, memory retentive, molded silicone gasket. The tempered flat glass lens shall be sealed to the housing with a silicone gasket. One recessed stainless steel latch shall release the door to allow access to the LED array.

UPGRADE KITS

A field replaceable upgrade kit is available for existing PROL-H (HID/CFL) reflector models. An entire EmitterDeck mounting assembly, including driver and 36 LED MicroEmitters (108 diodes/124 watts), is provided.

ELECTRICAL

120 thru 277 volt. All electrical components are mounted directly to the driver tray for maximum heat dissipation. Class 1 electrical classification. 0 - 10v dimming capabilities. LifeShield™ Protection System included for extreme temperature locations (-30°C to 60°C). 120/277 volt Universal with 9mA maximum input current and 1mA maximum drive current. Input power 0.5 watt for 120 volt and 1.25 watt for 277 volt. The onboard surge protector shall be U.L. recognized and have a surge current rating of 10,000 Amps using the industry standard 8/20uSec wave. The surge protector shall have a clamping voltage of 320V and surge rating of 372J. The case shall be a high-temperature, flame resistant plastic enclosure. LED constant current driver operates at 350mA.

MICROEMITTER™ REFLECTOR

Precision injection molded, high specular reflectors are positioned to achieve directional control toward desired task for IES cutoff classification. Secondary reflectors with a concave, specular medium hammertone finish are used to redirect light downward. No fasteners are placed on the reflective surface. The entire assembly fastens to the housing as a one-piece module and features wiring quick-connects for easy installation. Standard color temperatures are 3500K and 5100K. Rated luminous efficacy for PROV is ≥ 40 lm/W, with rated light output of ≥ 2864 for 5100K LED, standard mount. MicroEmitters are field replaceable.

INSTALLATION & MOUNTING

The large Providence (PROL) shall be factory supplied as a complete, prewired assembly. The fixture shall slip over a 5"/127mm open top pole or 4"/100mm arm and be secured and leveled with six stainless steel set screws.

FINISH

Fixture finish consists of a five stage pretreatment regimen with a polymer primer sealer, oven dry off, and top coated with a thermoset super TGIC polyester powder coat finish. The finish shall meet the AAMA 605.2 performance specification which includes passing a 3000 hour salt spray test for corrosion resistance.

CERTIFICATION

The fixture shall be listed with ETL for outdoor, wet location use. Conforms to the UL1598 and Canadian CSA Std. C22.2 no.250 standard. IP55.

WARRANTY **5** YEAR WARRANTY

Providence Large LED, including housing, LEDs and electrical components, is warranted for five years. Any unauthorized return, repair, replacement or modification of the Product(s) shall void this warranty. This warranty applies only to the use of the Product(s) as intended by AAL and does not cover poles, arms, mounting, or any misapplication or misuse of said Product(s), or installation in hazardous or corrosive environments. Contact AAL for complete warranty language, exceptions, and limitations. AAL reserves the right to change product specifications without notice.

AAL reserves the right to change product specifications without notice.