

Medium Scale

Updated: 03/2010



- Die cast aluminum construction for corrosion resistance
- Type 2, 3, 4 and 5 full cutoff, HID horizontal reflectors
- Asymmetric and symmetric indirect cutoff optical system
- Type 3 and Type 5 HID vertical lamp cutoff reflectors
- Tool-less access
- Separate die cast aluminum ballast module for extended life
- Slips over a 4"/100mm tenon for arm or pole mounting
- EISA compliant
- IP55 Rating
- Powder coat finish in 13 standard colors with a polymer primer sealer



Architectural Area Lighting

16555 East Gale Ave. | City of Industry | CA 91745

P 626.968.5666 | F 626.369.2695 | aal.net

Design patents, Copyright © 2010 Rev 03/2010



Fixture	Lamp/Ballast	Color	Options	Mounting
1	2	3	4	5

1. FIXTURE

- PROV-H2** Type 2 horizontal reflector, flat tempered clear glass lens

- PROV-H3** Type 3 horizontal reflector, flat tempered clear glass lens

- PROV-H4** Type 4 horizontal reflector, flat tempered clear glass lens

- PROV-H5** Type 5 horizontal reflector, flat tempered clear glass lens

- PROV-V3** Type 3 vertical reflector, tempered clear sag glass lens

- PROV-V5** Type 5 vertical reflector, tempered clear sag glass lens

- PROV-INDA** Asymmetric indirect reflective optical system, metal halide lamps only.

- PROV-INDS** Symmetric indirect reflective optical system, metal halide lamps only.

2. LAMP/BALLAST

- 50MH** 50 watt metal halide 120/277 volt ballast. Use medium base, ED-17 lamp.

- 50MHEB** 50 watt electronic metal halide 120 thru 277 volt ballast. Use medium base, ED-17 lamp.

- 70MH** 70 watt metal halide 120/208/240/277 volt ballast. Use medium base, ED-17 lamp.

- 70MHEB** 70 watt electronic metal halide 120 thru 277 volt ballast. Use medium base, ED-17 lamp.

- 70MHT6** 70 watt metal halide 120/277 volt ballast. Use G12 base, T-6 ceramic lamp.

- 70MHT6EB** 70 watt electronic metal halide 120 thru 277 volt ballast. Use G12 base, T-6 ceramic lamp.

- 100MH** 100 watt metal halide 120/208/240/277 volt ballast. Use medium base, ED-17 lamp.

- 150PSMH** Pulse start 150 watt metal halide 120/208/240/277 volt ballast. Use medium base, ED-17 lamp.

- 150PSMHT6** Pulse start 150 watt metal halide 120/208/240/277 volt ballast. Use G12 base, T-6 ceramic lamp.

- 150MHEB** 150 watt electronic metal halide 120 or 277 volt ballast. Use medium base, ED-17 lamp.

- 150MHT6EB** 150 watt electronic metal halide 120 or 277 volt ballast. Use G12 base, T-6 ceramic lamp.

- 175PSMH** Pulse start 175 watt metal halide 120/208/240/277 volt ballast. Use medium base, ED-17 lamp.

Vertical reflector only.

- 70HPS** 70 watt high pressure sodium 120/208/240/277 volt ballast. Use medium base, ED-17 lamp

- 100HPS** 100 watt high pressure sodium 120/208/240/277 volt ballast. Use medium base, ED-17 lamp.

- 150HPS** 150 watt high pressure sodium 120/208/240/277 volt ballast. Use medium base, ED-17 lamp.

- CF** Compact Fluorescent, electronic ballast 120 thru 277 volt. Use GX24q base, 26,32 or 42 watt lamp. Specify wattage. -18° C minimum starting temp. **Direct only.**

All ballasts are factory wired for 277 volts unless specified. Lamps not included, except LED.

All applicable ballasts are EISA compliant

SOLD TO	PO #	JOB NAME	Approvals
---------	------	----------	-----------

Architectural Area Lighting

16555 East Gale Ave. | City of Industry | CA 91745
 P 626.968.5666 | F 626.369.2695 | aal.net
 Design patents, Copyright © 2010 Rev 03/2010

Fixture	Lamp/Ballast	Color	Options	Mounting
1	2	3	4	5

3. COLOR

- AWT Arctic White
- BLK Black
- MTB Matte Black
- DGN Dark Green
- DBZ Dark Bronze
- WRZ Weathered Bronze
- BRM Metallic Bronze
- VBL Verde Blue

- CRT Corten
- MAL Matte Aluminum
- MDG Medium Grey
- ATG Antique Green
- LGY Light Grey

RAL/PREMIUM COLOR
Provide a RAL 4 digit color number

CUSTOM COLOR
Please provide a color chip for matching

4. OPTIONS



SPK
Decorative cast aluminum spikes on the top and bottom of the four vertical struts.



PFN
Cast aluminum finial painted a brass color.



BPS
Cast Aluminum Struts painted a brass color. Spikes also painted brass if option SPK chosen



PCA-T
Rotatable photocell housing. The housing slips over a 4"/100mm O.D. pole, a fixture slips over the 4"/100mm O.D. tenon. Includes an internal twist lock receptacle, and an access cover with integral lens. Photocell by others.

SOLD TO	PO #	JOB NAME	Approvals
---------	------	----------	-----------

Architectural Area Lighting

16555 East Gale Ave. | City of Industry | CA 91745
 P 626.968.5666 | F 626.369.2695 | aal.net
 Design patents, Copyright © 2010 Rev 03/2010

Fixture	Lamp/Ballast	Color	Options	Mounting
1	2	3	4	5
<input type="checkbox"/> HSS	House side shield to cut off light behind the pole and shield the lamp from view.			
<input type="checkbox"/> LDL	Lightly diffused lens. Frosted, flat tempered glass lens has a lightly diffused finish to minimize the lamp and reflector brightness. For horizontal reflector models.			

Egress and Emergency Options

Egress lighting codes require an illuminated path to allow occupants to get a safe distance from the building during a power failure or other emergency. In conjunction with the proper wiring, the two options below can be implemented to provide egress lighting.

<input type="checkbox"/> QRS	Socket for T-4 mini-can lamp, field wired to a separate circuit. (Lamp wattage not to exceed ballast wattage). Horizontal reflectors only.			
<input type="checkbox"/> QL	Restrike controller and T-4 mini-can socket. Not required with electronic ballast. (Lamp wattage not to exceed ballast wattage). Horizontal reflectors only.			

5. MOUNTING

Pole mount

One-piece cast aluminum arms are prewired with quick disconnects. Wall mounted arms do not include wall mounting hardware. Pole mounted arms use 3/8-16 hex head bolts for attaching to the pole.

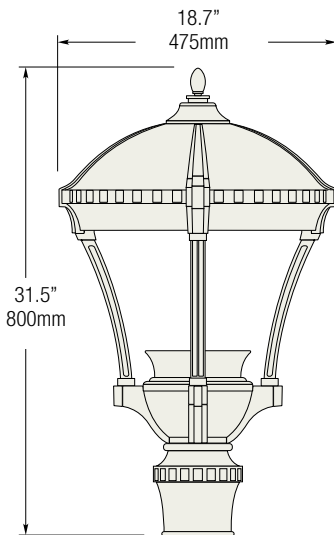
<input type="checkbox"/> TRA55	Attaches to a 4"/100mm round pole. Wt: 10 lbs. EPA: .87			
<input type="checkbox"/> TRA56	Attaches to a 4"/100mm round pole. Wt: 10 lbs. EPA: .87			
<input type="checkbox"/> TRA57	Attaches to a 4"/100mm round pole. Wt: 10lbs. EPA:.87			
<input type="checkbox"/> SLA1	Slips over a 4"/100mm round pole or 4"/100mm by 6"/153mm tenon. Wt: 12 lbs. EPA: 1.09			
<input type="checkbox"/> SLA1-2	Double arm. Slips over a a 4"/100mm round pole or 4"/100mm by 6"/153mm tenon. Wt: 12 lbs. EPA: 1.09			
<input type="checkbox"/> SLA8U	Attaches to a 4"/100mm or 5"/127mm round pole. Wt: 5lbs. EPA: .40			
<input type="checkbox"/> SLA22U	Attaches to a 4"/100mm or 5"/127mm round pole. Wt: 6lbs. EPA: .60			

Wall mount

<input type="checkbox"/> WMA55	Cast aluminum backplate. Mounting hardware by others. Wt: 14lbs.			
<input type="checkbox"/> WMA56	Cast aluminum backplate. Mounting hardware by others. Wt: 10lbs.			
<input type="checkbox"/> WMA57	Cast aluminum backplate. Mounting hardware by others. Wt: 10lbs.			
<input type="checkbox"/> WMA7	Cast aluminum backplate. Mounting hardware by others. Wt: 16lbs.			
<input type="checkbox"/> WMA9U	Cast aluminum backplate. Mounting hardware by others. Wt: 8lbs.			
<input type="checkbox"/> WMA22U	Cast aluminum backplate. Mounting hardware by others. Wt: 5lbs.			

SOLD TO	PO #	JOB NAME	Approvals
<p>Architectural Area Lighting 16555 East Gale Ave. City of Industry CA 91745 P 626.968.5666 F 626.369.2695 aal.net Design patents, Copyright © 2010 Rev 03/2010</p>			

Specifications



WEIGHT: 29 lbs EPA: 0.96

REFLECTOR MODELS - REFLECTOR/LAMP

The upper lamp housing shall be die cast aluminum. The internal reflector module is sealed from the outer housing with a molded silicone gasket. The tempered glass lens shall be sealed to the housing with a silicone gasket. One stainless steel latch shall release the door to allow access the lamp.

The reflector module shall be composed of faceted, specular and semi specular anodized aluminum panels rigidly attached in a die cast aluminum housing. The reflector shall be removed without tools by lifting it out of the four spring loaded posts. The reflector tray shall be rotatable on 90° centers for orienting the light distribution. The horizontal and vertical lamp reflectors shall meet ANSI-IES standards for full cutoff reflector systems.

REFLECTOR MODELS - BALLAST

The lower ballast housing shall be die cast aluminum. The tool-less ballast access for servicing is accomplished by a quarter turn motion of the top cover. The ballast shall be mounted on a prewired tray with a quick disconnect plug attached to the underside of the cover. HID ballasts are high power factor, rated for -30°C starting. Electronic ballasts for metal halide lamps are sound rated A. Sockets are medium base for ED-17 lamps, G12 for use with T6 lamps, All HID sockets are pulse rated porcelain. Ballasts are wired at the factory for 277 volts, unless specified. Compact fluorescent transformers shall accept 120 to 277 volt input and rated for -18°C starting.

INDIRECT MODELS - LOWER LAMP MODULE

The lower housing shall contain the lamp module. The cover shall be die cast aluminum with a tempered glass lens. The lamp shall be accessed by turning the lamp housing cover a quarter turn. The reflector shall be polished, anodized aluminum with an extremely narrow beam for directing the light to the upper reflector. Sockets are medium base for ED-17 lamps or G12 for use with T6 lamps, All sockets are pulse rated porcelain.

INDIRECT MODELS - UPPER REFLECTOR/BALLAST

The die cast aluminum upper housing shall contain the ballast assembly and the indirect reflector. The ballast shall be mounted on a prewired tray with a quick disconnect plug. The HID ballasts are high power factor, rated for -30°C starting. Ballasts are wired at the factory for 277 volts, unless specified.

The indirect reflector is mounted to the underside of the upper housing. The reflector shall be die cast aluminum, finished in a high reflectance white. The indirect reflector models shall be IES classified as cutoff with less than 1% lumen output above 90 degrees.

INSTALLATION & MOUNTING

The PROV series shall be factory supplied as a complete, prewired assembly. The fitter shall slip over a 4"/100mm open top pole or arm and be secured and leveled with three stainless steel set screws.

FINISH

Fixture finish consists of a five stage pretreatment regimen with a polymer primer sealer, oven dry off, and top coated with a thermoset super TGIC polyester powder coat finish. The finish shall meet the AAMA 605.2 performance specification which includes passing a 3000 hour salt spray test for corrosion resistance.

EISA COMPLIANCE

AAL is committed to complying with U.S. EISA requirements. All applicable products manufactured for sale in the United States after January 1, 2009, meet EISA requirements.

CERTIFICATION

The fixture shall be listed with ETL for outdoor, wet location use, UL1598 and Canadian CSA Std. C22.2 no.250. IP=55.

WARRANTY

Fixture is warranted for three years. Ballast components carry the ballast manufacturer's limited warranty. Any unauthorized return, repair, replacement or modification of the Product(s) shall void this warranty. This warranty applies only to the use of the Product(s) as intended by AAL and does not cover any misapplication or misuse of said Product(s), or installation in hazardous or corrosive environments. Contact AAL for complete warranty language, exceptions, and limitations.

Architectural Area Lighting

16555 East Gale Ave. | City of Industry | CA 91745

P 626.968.5666 | F 626.369.2695 | aal.net

Design patents, Copyright © 2010 Rev 03/2010