

Medium Scale

Updated 11/2010



**DESIGNER**  
**SSL** SERIES  
FEATURING  
**MICROEMITTER™**  
TECHNOLOGY

**LifeShield™**  
Protection System

- Part of AAL's Designer SSL Series
- Featuring highly efficient, exclusive MicroEmitter™ reflector technology
  - 60 LED array (72 total input watts)
  - Two standard color temperatures: 3500K or 5100K
  - IES Type 2, 3, 4 or 5 distribution patterns
- Canted design provides even illumination with less glare
- DLC approved (Types 3 and 5, 5100K)
- Field replaceable LED EmitterDeck™ upgrade kits for existing PROV-H (HID or CFL) models available
- Features exclusive LifeShield™ Protection System for extreme weather conditions (-30°C to 60°C)
- 0 - 10v dimming capabilities
- Surge protection included
- IP55 rating
- Powder coat finish in 13 standard colors with a polymer primer sealer



Nighttime rendering with PROV-T3 and PROV-T2



Lewis and Clark Community College, Godfrey, IL

**Architectural Area Lighting**



16555 East Gale Ave. | City of Industry | CA 91745  
P 626.968.5666 | F 626.369.2695 | aal.net  
Design patents, Copyright © 2010 Rev. 11/2010

PATENTS PENDING



1. Luminaire/LED Configuration	2. Color	3. Options	4. Mounting
PROV-T3-60LED-BW	MTB	SPK	TRA56

1. LUMINAIRE/LED CONFIGURATION

<input type="checkbox"/> PROV-T2-60LED-WW	IES Type 2 distribution. 60 light emitting diode array (72 watts). Class 1, 120 thru 277 volt. Warm white (3500K).		
<input type="checkbox"/> PROV-T2-60LED-BW	IES Type 2 distribution. 60 light emitting diode array (72 watts). Class 1, 120 thru 277 volt. Bright white (5100K).		
<input type="checkbox"/> PROV-T3-60LED-WW	IES Type 3 distribution. 60 light emitting diode array (72 watts). Class 1, 120 thru 277 volt. Warm white (3500K).		
<input type="checkbox"/> PROV-T3-60LED-BW	IES Type 3 distribution. 60 light emitting diode array (72 watts). Class 1, 120 thru 277 volt. Bright white (5100K).		
<input type="checkbox"/> PROV-T4-60LED-WW	IES Type 4 distribution. 60 light emitting diode array (72 watts). Class 1, 120 thru 277 volt. Warm white (3500K).		
<input type="checkbox"/> PROV-T4-60LED-BW	IES Type 4 distribution. 60 light emitting diode array (72 watts). Class 1, 120 thru 277 volt. Bright white (5100K).		
<input type="checkbox"/> PROV-T5-60LED-WW	IES Type 5 distribution. 60 light emitting diode array (72 watts). Class 1, 120 thru 277 volt. Warm white (3500K).		
<input type="checkbox"/> PROV-T5-60LED-BW	IES Type 5 distribution. 60 light emitting diode array (72 watts). Class 1, 120 thru 277 volt. Bright white (5100K).		

*350mA drive current.*

LED EMITTERDECK™ UPGRADE KITS FOR PROV-H MODELS

A field replaceable upgrade kit is available for existing PROV-H (HID/CFL) installations. The kit comes complete with a driver and 20 LED MicroEmitters™ (60 diodes/72 watts). Please contact your AAL Sales Representative for details.

<input type="checkbox"/> RK3509	Type 2, 60 diodes (72 watts). Class 1, 120 thru 277 volt. Warm white (3500K).
<input type="checkbox"/> RK3510	Type 3, 60 diodes (72 watts). Class 1, 120 thru 277 volt. Warm white (3500K).
<input type="checkbox"/> RK3511	Type 4, 60 diodes (72 watts). Class 1, 120 thru 277 volt. Warm white (3500K).
<input type="checkbox"/> RK3512	Type 5, 60 diodes (72 watts). Class 1, 120 thru 277 volt. Warm white (3500K).
<input type="checkbox"/> RK5109	Type 2, 60 diodes (72 watts). Class 1, 120 thru 277 volt. Bright white (5100K).
<input type="checkbox"/> RK5110	Type 3, 60 diodes (72 watts). Class 1, 120 thru 277 volt. Bright white (5100K).
<input type="checkbox"/> RK5111	Type 4, 60 diodes (72 watts). Class 1, 120 thru 277 volt. Bright white (5100K).
<input type="checkbox"/> RK5112	Type 5, 60 diodes (72 watts). Class 1, 120 thru 277 volt. Bright white (5100K).

*350mA drive current*

SOLD TO	PO #	JOB NAME	Approvals

Architectural Area Lighting

16555 East Gale Ave. | City of Industry | CA 91745  
 P 626.968.5666 | F 626.369.2695 | aal.net  
 Design patents, Copyright © 2010 Rev. 11/2010

1. Luminaire/LED Configuration	2. Color	3. Options	4. Mounting
PROV-T3-60LED-BW	MTB	SPK	TRA56

2. COLOR

<input type="checkbox"/> AWT	Arctic White	<input type="checkbox"/> MDG	Medium Grey
<input type="checkbox"/> BLK	Black	<input type="checkbox"/> ATG	Antique Green
<input type="checkbox"/> MTB	Matte Black	<input type="checkbox"/> LGY	Light Grey
<input type="checkbox"/> DGN	Dark Green	<input type="checkbox"/> SPP	Salt and Pepper (premium)
<input type="checkbox"/> DBZ	Dark Bronze	<input type="checkbox"/> SFM	Seafoam (premium)
<input type="checkbox"/> WRZ	Weathered Bronze	<input type="checkbox"/> WCP	Weathered Copper (premium)
<input type="checkbox"/> BRM	Metallic Bronze	<input type="checkbox"/> SHK	Shamrock (premium)
<input type="checkbox"/> VBL	Verde Blue	<input type="checkbox"/> RAL COLOR	Provide a RAL 4 digit color number
<input type="checkbox"/> CRT	Corten	<input type="checkbox"/> CUSTOM COLOR	Please provide a color chip for matching
<input type="checkbox"/> MAL	Matte Aluminum		

3. OPTIONS

<input type="checkbox"/> SPK	Decorative cast aluminum spikes on the top and bottom of the four vertical struts.
<input type="checkbox"/> PFN	Cast aluminum finial painted a brass color.
<input type="checkbox"/> BPS	Cast aluminum struts painted brass color. Spikes also painted brass if SPK chosen.



SPK shown

4. MOUNTING

Pole mount (please visit [www.aal.net](http://www.aal.net) for additional arm choices)

One-piece cast aluminum arms are prewired with quick disconnects. Pole mounted arms use 3/8-16 hex head bolts for attaching to the pole.

<input type="checkbox"/> TRA55	Attaches to a 4"/100mm round pole. Wt: 10lbs. EPA: .67
<input type="checkbox"/> TRA56	Attaches to a 4"/100mm round pole. Wt: 8lbs. EPA: .54
<input type="checkbox"/> TRA57	Attaches to a 4"/100mm round pole. Wt: 7lbs. EPA: .67



TRA57 shown

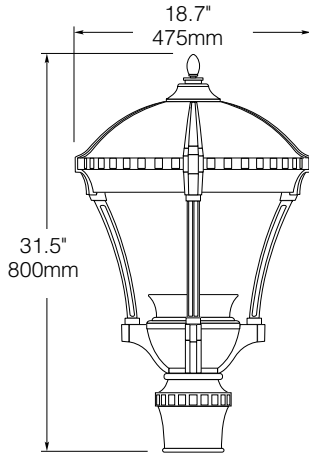
Wall Mount (please visit [www.aal.net](http://www.aal.net) for additional arm choices)

One-piece cast aluminum arms are prewired with quick disconnects. Wall mounted arms do not include wall mounting hardware.

<input type="checkbox"/> WMA55	Cast aluminum backplate. Mounting hardware by others. Wt: 14 lbs.
<input type="checkbox"/> WMA56	Cast aluminum backplate. Mounting hardware by others. Wt: 10 lbs.
<input type="checkbox"/> WMA57	Cast aluminum backplate. Mounting hardware by others. Wt: 10 lbs.
<input type="checkbox"/> WMA7	Cast aluminum backplate. Mounting hardware by others. Wt: 16 lbs.

SOLD TO	PO #	JOB NAME	Approvals
<p><b>Architectural Area Lighting</b>                  16555 East Gale Ave.   City of Industry   CA 91745                  P 626.968.5666   F 626.369.2695   <a href="http://aal.net">aal.net</a>                  Design patents, Copyright © 2010 Rev. 11/2010</p>			

## Specifications



Weight: 29 lbs EPA: 0.96

### HOUSING

The upper lamp housing shall be die-cast aluminum. The internal reflector module is sealed from the outer housing with a one-piece, memory retentive, molded silicone gasket. The tempered glass lens shall be sealed to the housing with a silicone gasket. One stainless steel latch shall release the door.

### UPGRADE KITS

Field replaceable upgrade kits are available for PROV-H (HID/CFL) reflector models. An entire EmitterDeck mounting assembly, including driver and 20 LED MicroEmitters (60 diodes/72 watts), is provided. See installation instructions for complete details.

### ELECTRICAL

120 thru 277 volt. All electrical components are mounted directly to the driver tray for maximum heat dissipation. Class 1 electrical classification. 0 - 10v dimming capabilities. LifeShield™ Protection System included for extreme temperature locations (-30°C to 60°C). 120/277 volt Universal with 9mA maximum input current and 1mA maximum drive current. Input power 0.5 watt for 120 volt and 1.25 watt for 277 volt. The onboard surge protector shall be U.L. recognized and have a surge current rating of 10,000 Amps using the industry standard 8/20uSec wave. The surge protector shall have a clamping voltage of 320V and surge rating of 372J. The case shall be a high-temperature, flame resistant plastic enclosure. LED constant current driver operates at 350mA.

### MICROEMITTER™ REFLECTOR

Precision injection molded, high specular reflectors are positioned to achieve directional control toward desired task. Secondary reflectors with a concave, specular medium hammertone finish are used to redirect light downward. No fasteners are placed on the reflective surface. The entire assembly fastens to the housing as a one-piece module and features wiring quick-connects for easy installation. Standard color temperatures for Nichia LEDs, NS6L183 and NS6W183, are 3500K and 5100K. Rated luminous efficacy is  $\geq 40$  lm/W, with rated light output of  $\geq 2864$  for 5100K LED, standard mount. MicroEmitters are field replaceable.

### MOUNTING

Providence is factory supplied as a complete, pre-wired assembly. The fitter shall slip over a 4"/100mm open top pole or arm and secured and leveled with three stainless steel set screws.

### FINISH

The finish consists of a five stage pretreatment regimen with a polymer primer sealer, oven dry off, and top coated with a thermoset super TGIC polyester powder coat finish. The finish shall meet the AAMA 605.2 performance specification which includes passing a 3000 hour salt spray test for corrosion resistance.

### CERTIFICATION

Providence LED shall be listed with ETL for outdoor, wet location use. Conforms to UL1598 and Canadian CSA Std. C22.2 no.250 standard. IP55.

### WARRANTY **5 YEAR WARRANTY**

Providence LED, including housing, LEDs and electrical components, is warranted for five years. Any unauthorized return, repair, replacement or modification of the Product(s) shall void this warranty. This warranty applies only to the use of the Product(s) as intended by AAL and does not cover poles, arms, mounting, or any misapplication or misuse of said Product(s), or installation in hazardous or corrosive environments. Contact AAL for complete warranty language, exceptions, and limitations.

AAL reserves the right to change product specifications without notice.

