

Small Scale

Updated: 01/2010



- Full cutoff, dark sky compliant optical system (with solid shade)
- Low angle beam has a maximum candlepower at 65° for efficient spacing between fixtures and control of glare
- Translucent shades add visual interest when illuminated
- Pole, wall, and pendant mounting options.
- EISA compliant
- IP55 rated
- Powder coat finish in 13 standard colors with a polymer primer sealer



Architectural Area Lighting

16555 East Gale Ave. | City of Industry | CA 91745
P 626.968.5666 | F 626.369.2695 | www.aal.net
Design patents, Copyright © 2010 Rev 01/2010

Fixture	Lamp/Ballast	Color	Shade-Finish	Mounting
1	2	3	4	5

1. FIXTURE

SACRD
Small Round Fixture with Arm and wall plate
Weight: 20 lbs.

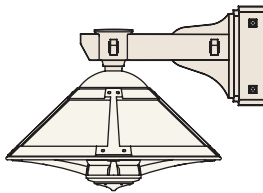
SACSQ
Small Square Fixture with Arm and wall plate
Weight: 22 lbs.

SACRD-PND
Small Round Fixture with pendant mount, stem with canopy (ballast enclosure) is 48 in/1220mm tall. Max. stem for IL-55 shall be 6 in. Weight: 18 lbs.

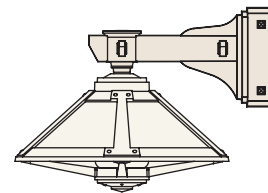
SACSQ-PND
Small Square Fixture with pendant mount, stem with canopy (ballast enclosure) is 48 in/1220mm tall. Max. stem for IL-55 shall be 6 in. Weight: 20 lbs.

SACRD-SABL
Small Round Fixture with arm for side of 4 in pole mounting. Weight: 20 lbs.

SACSQ-SABL
Small Square Fixture with arm for side of 4 in pole mounting. Weight: 22 lbs.



SACRD



SACSQ

2. LAMP/BALLAST

- CF** Fluorescent, electronic ballast 120 thru 277 volt. -18° C min start temp.
Use 4-pin 26, 32 or 42 watt lamp.

- 50MH** 50 watt metal halide 120/277 volt ballast. Use medium base, ED-17 lamp.

- 50MHEB** 50 watt electronic metal halide 120 thru 277 volt ballast. Use medium base, ED-17 lamp.

- 70MH** 70 watt metal halide 120/208/240/277 volt ballast. Use medium base, ED-17 lamp.

- 70MHEB** 70 watt electronic metal halide ballast 120 thru 277 volt. Use medium base, ED-17 lamp.

- 70MHT6** 70 watt metal halide ballast, 120/277 volt. Use G12 base, T-6 ceramic lamp.

- 70MHT6EB** 70 watt electronic metal halide ballast, 120 thru 277 volt. Use G12 base, T-6 ceramic lamp.

- 50HPS** 50 watt high pressure sodium 120/277 volt ballast. Use medium base, ED-17 lamp.

- 70HPS** 70 watt high pressure sodium 120/208/240/277 volt ballast. Use medium base, ED-17 lamp.

- IL-55** 55 watt induction lamp system. 120, 208, 240, or 277 volt. -25°C min start temp.

All ballasts are factory wired for 277 volts, unless specified. Lamps not included (except IL option).

SOLD TO	PO #	JOB NAME	Approvals
---------	------	----------	-----------

Architectural Area Lighting

16555 East Gale Ave. | City of Industry | CA 91745
P 626.968.5666 | F 626.369.2695 | www.aal.net
Design patents, Copyright © 2010 Rev 01/2010

Fixture	Lamp/Ballast	Color	Shade-Finish	Mounting
1	2	3	4	5

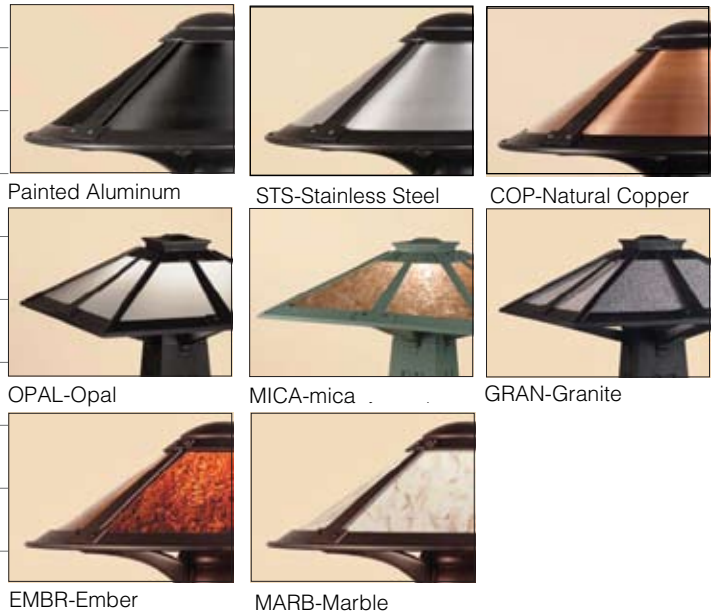
3. COLOR

- AWT Arctic White
- BLK Black
- MTB Matte Black
- DGN Dark Green
- DBZ Dark Bronze
- WRZ Weathered Bronze
- BRM Metallic Bronze
- VBL Verde Blue
- CRT Corten

- MAL Matte Aluminum
- MDG Medium Grey
- ATG Antique Green
- LGY Light Grey
- RAL/PREMIUM COLOR
Provide a RAL 4 digit color number
- CUSTOM COLOR
Please provide a color chip for matching

4. SHADE FINISH

- 1st COLOR AAL standard colors for aluminum shade
- STS #4 brushed stainless steel
- COP Natural Copper-will patina over time
- OPAL Opal (Acrylic)
- MICA Mica (Acrylic)
- GRAN Granite (Acrylic)
- EMBR Ember (Acrylic)
- MARB Marble (Acrylic)
- 2nd COLOR AAL standard colors for aluminum shade
- RAL RAL/Premium colors for aluminum shade.
- CUSTOM Custom colors for aluminum shade.



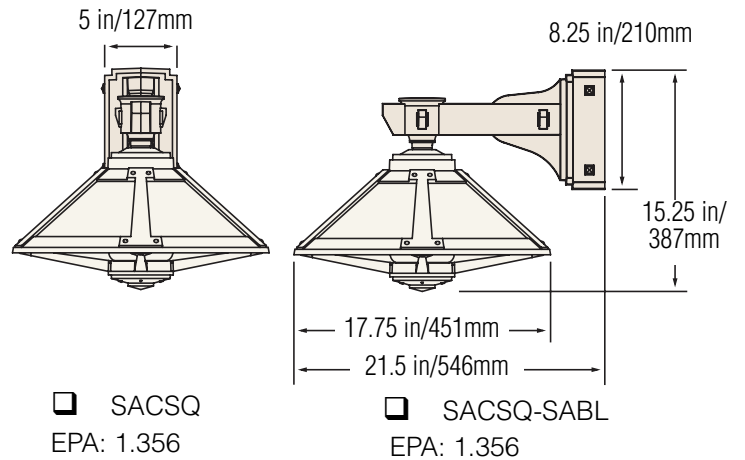
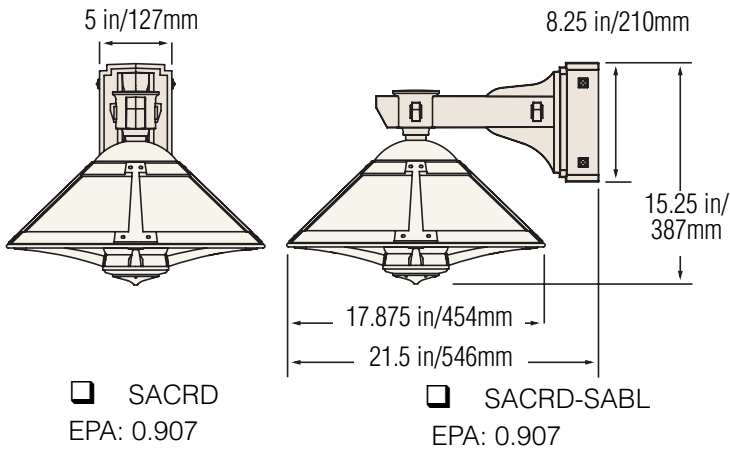
SOLD TO	PO #	JOB NAME	Approvals

Architectural Area Lighting

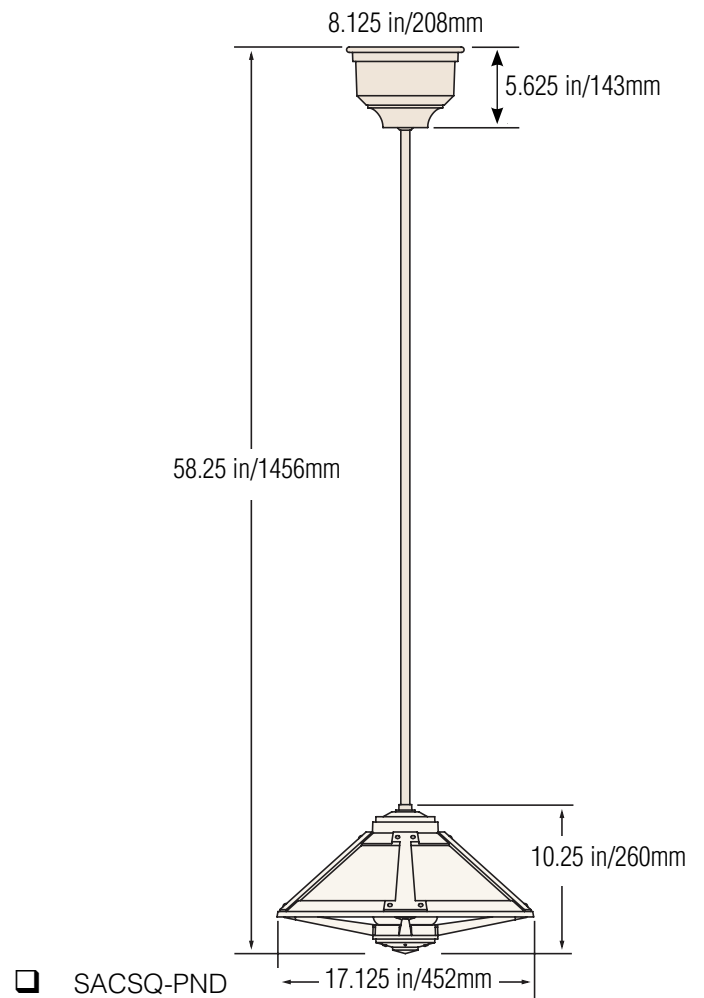
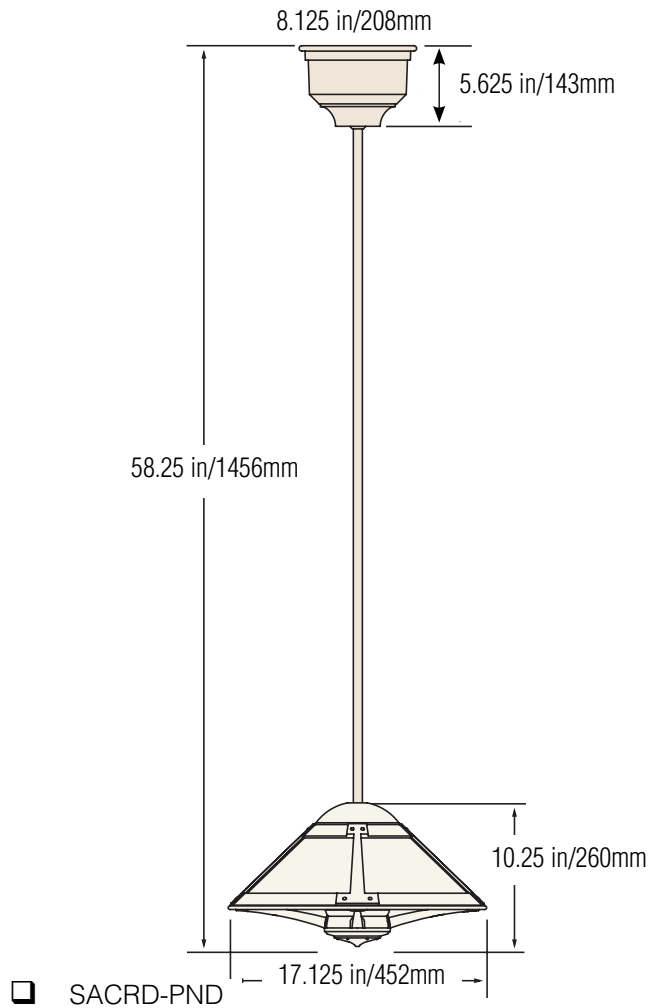
16555 East Gale Ave. | City of Industry | CA 91745
 P 626.968.5666 | F 626.369.2695 | www.aal.net
 Design patents, Copyright © 2010 Rev 01/2010

5. MOUNTING

WALL MOUNT/POLE MOUNT (SABL)

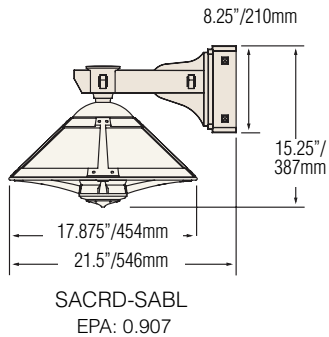


PENDANT MOUNT



Architectural Area Lighting

Specifications



HOUSING

The fixture and arm shall be cast aluminum. The shade shall hinge open by loosening a captive screw for relamping. The lens shall be molded tempered borosilicate glass. The lens shall be sealed top and bottom with silicone gaskets. The ballast assembly shall be mounted on a plate that attaches to the backside of the arm. Quick disconnects shall be used for all electrical connections. All internal and external hardware shall be stainless steel.

ELECTRICAL

All electrical components shall be U.L. recognized. Magnetic HID ballasts shall be high power factor, rated for -30° C starting. Sockets for T-6 lamps shall be a G12 base. Medium base porcelain sockets shall be pulse rated. Fluorescent lamps shall be powered by an electronic ballast and shall be rated for a minimum starting temperature of -18° C. The electrical assembly shall be installed and prewired in the fixture.

RELAMPING

Access to the lamp is accomplished by loosening four captive set screws and safety cable at the underside of the shade. The lamp compartment is accessed by turning a knob that is attached to the removable socket plate.

MOUNTING

The fixture/arm assembly shall be secured to the arm with four stainless steel sect screws. Wall plate attaches to the wall with two stainless steel 3/8 in. bolts. Hardware by others. For pendant mounting, the fixture shall be threaded to the stem.

FINISH

Fixture finish shall consist of a five stage pretreatment regimen with a polymer primer sealer, oven dry off and top coated with a thermoset super TGIC polyester powder coat finish. The finish shall meet the AAMA 605.2 performance specification which includes passing a 3000 hour salt spray test for corrosion resistance.

EISA COMPLIANCE

AAL is committed to complying with EISA requirements 100%. All applicable products manufactured for sale in the United States after January 1, 2009, will meet EISA requirements.

CERTIFICATION

The fixture is listed with ETL for outdoor, wet location use, UL1598 and Canadian CSA Std. C22.2 NO.250. IP Rating: 55

WARRANTY

Fixture is warranted for three years. Ballast components carry the ballast manufacturer's limited warranty. Any unauthorized return, repair, replacement or modification of the Product(s) shall void this warranty. This warranty applies only to the use of the Product(s) as intended by AAL and does not cover any misapplication or misuse of said Product(s), or installation in hazardous or corrosive environments. Contact AAL for complete warranty language, exceptions, and limitations.

Architectural Area Lighting

16555 East Gale Ave. | City of Industry | CA 91745
P 626.968.5666 | F 626.369.2695 | www.aal.net
Design patents, Copyright © 2010 Rev 01/2010