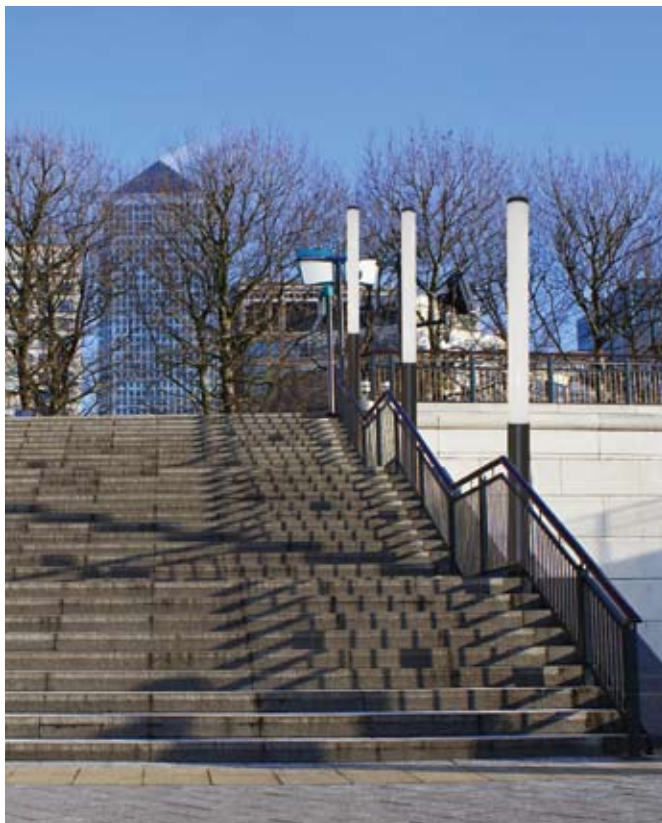


Light Column



- Clean, contemporary styling that stands the test of time
- Ideal for way finding or general illumination
- Angled lens transition available
- Wall mount version available
- Base made of cast aluminum for corrosion resistance
- Acrylic lens will not yellow over time
- Features energy efficient fluorescent sources
- Available in two and four lamp arrangements
- EISA compliant
- Powder coat finish in 13 standard colors with a polymer primer sealer



Architectural Area Lighting

1. Fixture	2. Lamp/Ballast	3. Lamp Arrangement	4. Options	5. Color
TN8	T8-32	4X	ANG	BLK

1. FIXTURE

- TN8 8' with straight acrylic white lens
- TN10 10' with straight acrylic white lens
- TN12 12' with straight acrylic white lens
- TN14 14' with straight acrylic white lens
- TN8-P 8' with straight polycarbonate white lens
- TN10-P 10' with straight polycarbonate white lens
- TN12-P 12' with straight polycarbonate white lens
- TN14-P 14' with straight polycarbonate white lens
- TN WM Wall mount with straight acrylic white lens. (Height determined by lamp selection).
- TN WM-P Wall mount with straight polycarbonate white lens. (Height determined by lamp selection).

2. LAMP/BALLAST

- T8-32 T8 fluorescent 32 watt lamp. 120 thru 277 volt ballast. 46" lens.
- T5-28 T5 fluorescent 28 watt lamp. 120 thru 277 volt ballast. 46" lens.
- T5-21 T5 fluorescent 21 watt lamp. 120 thru 277 volt ballast. 34" lens.
- T5-14 T5 fluorescent 14 watt lamp. 120 thru 277 volt ballast. 22" lens.

*All ballasts are factory wired for 277 volts. Lamps not included. All applicable ballasts are EISA compliant.*

3. LAMP ARRANGEMENT

- 2X 2 lamps at 180 degrees
- 4X 4 lamps at 90 degrees

4. OPTIONS

- ANG Angled lens
- PHC Button-type photo cell

5. COLOR

- |   |   |
|---|---|
| <input type="checkbox"/> AWT Arctic White     | <input type="checkbox"/> CRT Corten         |
| <input type="checkbox"/> BLK Black            | <input type="checkbox"/> MAL Matte Aluminum |
| <input type="checkbox"/> MTB Matte Black      | <input type="checkbox"/> MDG Medium Grey    |
| <input type="checkbox"/> DGN Dark Green       | <input type="checkbox"/> ATG Antique Green  |
| <input type="checkbox"/> DBZ Dark Bronze      | <input type="checkbox"/> LGY Light Grey     |
| <input type="checkbox"/> WRZ Weathered Bronze | <input type="checkbox"/> RAL/PREMIUM COLOR  |
| <input type="checkbox"/> BRM Metallic Bronze  | Provide a RAL 4 digit color number          |
| <input type="checkbox"/> VBL Verde Blue       | <input type="checkbox"/> CUSTOM COLOR       |
|   | Please provide a color chip for matching    |

SOLD TO

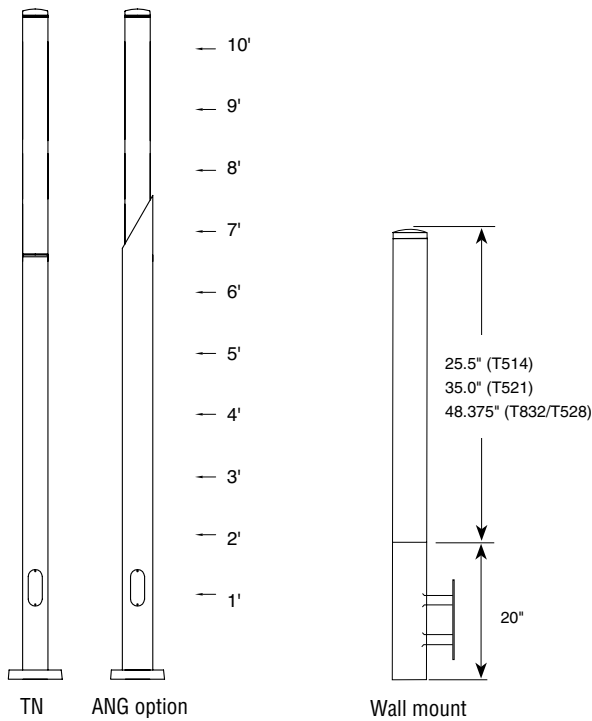
PO #

JOB NAME

Approvals

Architectural Area Lighting

### Specifications



#### MOUNTING

**Ground Mount** - Teneo shall use 5/8" x 24" x 3" anchor bolts, double hex nuts and flat washers hot dipped galvanized steel. A bolt circle template shall be provided.

**Wall Mount** - The wall plate features four 1 1/32" holes for 5/16" bolts. Mounting hardware not included.

#### FINISH

Fixture finish shall consist of a five stage pretreatment regimen with a polymer primer sealer, oven dry off, and top coated with a thermoset super TGIC polyester powder coat finish. The finish shall meet the AAMA 605.2 performance specification which includes passing a 3000 hour salt spray test for corrosion resistance.

#### EISA COMPLIANCE

AAL is committed to complying with all U.S. EISA requirements. All applicable AAL products manufactured for sale in the United States after January 1, 2009 meet EISA requirements.

#### HOUSING

Teneo top, intermediate and base shall be cast aluminum. All cast aluminum components shall be certified as pure #356 alloy, free of any porosity, foreign materials, or cosmetic fillers. Teneo body shall be made from 1/4" thick, 5" O.D. thick extruded aluminum. All extruded aluminum components shall be alloy 6061-T6, 6063-T5 or equal. The cap shall be removable without tools and shall provide easy access to the optical chamber. The lens shall be one-piece acrylic or polycarbonate cylinder.

#### ELECTRICAL

The electrical assembly shall be comprised of a high power factor electronic fluorescent ballast designed to run up to four lamps. Twist-lock rotary locking sockets are utilized, however, spring (plunger) style sockets are available for high-vibration application (consult factory). Ballasts are wired at the factory for 277 volts, unless specified.

#### CERTIFICATION

The fixture is listed with ETL for outdoor, wet location use. Conforms to UL1598 and Canadian CSA Std., C22.2 no.9. IP55 rated.

#### WARRANTY

Fixture is warranted for three years. Ballast components carry the ballast manufacturer's limited warranty. Any unauthorized return, repair, replacement or modification of the Product(s) shall void this warranty. This warranty applies only to the use of the Product(s) as intended by AAL and does not cover any misapplication or misuse of said Product(s), or installation in hazardous or corrosive environments. Contact AAL for complete warranty language, exceptions, and limitations.

*AAL reserves the right to change product specifications without notice.*

### Architectural Area Lighting