

## Bollard

Updated: 01/2010



- Now available with highly efficient LED technology
  - IES Type 5 distribution
  - Two color temperatures, 3500K and 5100K
- Modular system offers five luminous choices and two hood options for customization to complement site design
- Full cutoff classification when used without luminous elements
- Glass refractor lens, IES Type 5 distribution
- EISA compliant
- IP55 rated
- Powder coat finish in 13 standard colors with a polymer primer sealer



## Architectural Area Lighting

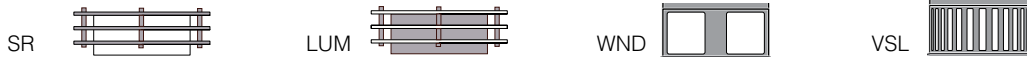
16555 East Gale Ave. | City of Industry | CA 91745  
P 626.968.5666 | F 626.369.2695 | www.aal.net  
Design patents, Copyright © 2010 Rev 01/2010

Luminaire	Luminous Element	Hood	Lamp/Ballast	Color	Options
1	2	3	4	5	6

### 1. LUMINAIRE

UCB Universe Bollard

### 2. LUMINOUS ELEMENT – OPTIONAL



- BLANK No luminous element
- SR Solid Rings - 7.5"/190mm diameter x 2.75"/70mm high
- LUM Luminous Rings - 7.625"/187mm diameter x 2.75"/70mm high
- WND 3 Windows - 5.25"/130mm diameter x 2.75"/70mm high
- VSL Vertical Slots - 5.25"/130mm diameter x 2.75"/70mm high

### 3. HOOD



- STR Straight Hood -16"/405mm diameter x 3.12"/80mm high
- FLR Flared Hood -15"/380mm diameter x 4.75"/120mm high

### 4. LAMP/BALLAST

- 12LED-WW 12 light emitting diode array (32 watts). Warm white (3500K). 120 thru 277 volt.
- 12LED-BW 12 light emitting diode array (32 watts). Bright white (5100K). 120 thru 277 volt.
- CF Compact fluorescent, electronic 120 thru 277 volt ballast. Use 4-pin, 26, 32 or 42 watt lamp. -18°C starting temperature.
- 39MHT6EB 39 watt electronic metal halide 120 thru 277 volt ballast. Use G12 base, T-6 ceramic metal halide lamp.
- 50MH 50 watt metal halide 120/208/240/277 volt ballast. Use medium base, ED-17 lamp.
- 50MHEB 50 watt electronic metal halide 120 thru 277 volt ballast. Use medium base, ED-17 lamp.
- 70MH 70 watt metal halide 120/208/240/277 volt ballast. Use medium base, ED-17 lamp.
- 70MHEB 70 watt electronic metal halide 120 thru 277 volt ballast. Use medium base, ED-17 lamp.
- 70MHT6 70 watt metal halide 120/277 volt ballast. Use G12 base, T-6 ceramic lamp.
- 70MHT6EB 70 watt electronic metal halide 120 thru 277 volt ballast. Use G12 base, T-6 ceramic lamp.
- 50HPS 50 watt high pressure sodium 120/277 volt ballast. Use medium base, ED-17 lamp.
- 70HPS 70 watt high pressure sodium 120/208/240/277 volt ballast. Use medium base, ED-17 lamp.
- IL55 55 watt induction lamp system. 120, 208, 240, or 277 volt ballast. -25°C min start temp.

*All ballasts and LED drivers are prewired for 277 volts unless specified. Lamps not included (except LED and IL options).*

SOLD TO	PO #	JOB NAME	Approvals
Architectural Area Lighting			

Luminaire	Luminous Element	Hood	Lamp/Ballast	Color	Options
1	2	3	4	5	6

5. COLOR

<input type="checkbox"/> AWT	Arctic White
<input type="checkbox"/> BLK	Black
<input type="checkbox"/> MTB	Matte Black
<input type="checkbox"/> DGN	Dark Green
<input type="checkbox"/> DBZ	Dark Bronze
<input type="checkbox"/> WRZ	Weathered Bronze
<input type="checkbox"/> BRM	Metallic Bronze
<input type="checkbox"/> VBL	Verde Blue
<input type="checkbox"/> CRT	Corten
<input type="checkbox"/> MAL	Matte Aluminum
<input type="checkbox"/> MDG	Medium Grey
<input type="checkbox"/> ATG	Antique Green
<input type="checkbox"/> LGY	Light Grey
<input type="checkbox"/> RAL/PREMIUM COLOR	Provide a RAL 4 digit color number
<input type="checkbox"/> CUSTOM COLOR	Please provide a color chip for matching

6. OPTIONS – HOOD FINISH

<input type="checkbox"/> COP	Copper hood
<input type="checkbox"/> STS	Stainless steel hood

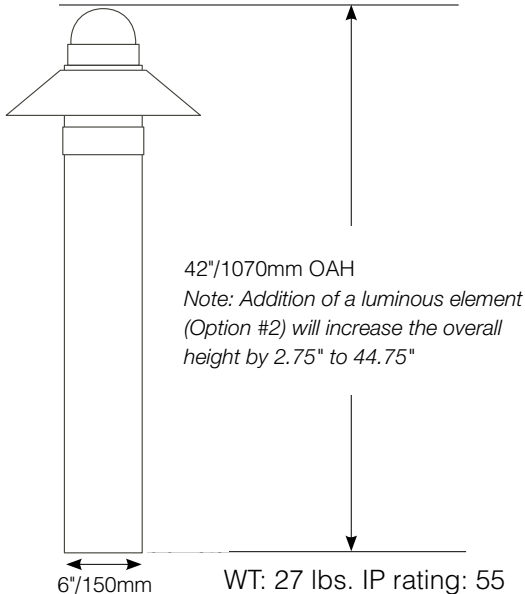
*The natural copper and stainless steel hoods are unfinished to develop a patina over time.  
All painted hoods have the underside finished in high reflectance white.*

OPTIONS – INTERNAL

<input type="checkbox"/> 347	120/240/347 volt ballast. Not with 50MH and 50HPS which is only a 347 volt ballast. <b>Not available with LED.</b>
<input type="checkbox"/> BBU	Battery backup powers a compact fluorescent lamp for up to 90 minutes during a power failure. Operating temp 0°C to 55°C. <b>Not available with LED.</b>
<input type="checkbox"/> HSS	House side 180 degree shield. Factory installed.
<input type="checkbox"/> SLC	Internal sleeve to block light from the lens when a luminous element is chosen.

SOLD TO	PO #	JOB NAME	Approvals
<b>Architectural Area Lighting</b> 16555 East Gale Ave.   City of Industry   CA 91745 P 626.968.5666   F 626.369.2695   www.aal.net Design patents, Copyright © 2010 Rev 01/2010			

## Specifications



### HOUSING

The fixture housing, shade, and base are cast aluminum, A356 alloy, free of any porosity, foreign materials, or cosmetic fillers. The shaft shall be 6" wide and 34 1/4" tall, extended 6061-T6 aluminum. The ballast or driver is mounted internally and accessed by loosening three set screws and lifting the fixture head off of the shaft. Relamping is done by removing three stainless steel acorn nuts underneath the shade and lifting it off the base. The lens is press molded, tempered borosilicate glass, sealed to the fixture body with a die cut silicone gasket. All internal and external hardware is stainless steel.

### ELECTRICAL

The ballast is integral to the fixture, mounted on a prewired module with a quick disconnect plug. The ballast module has two keyhole slots and is removable by loosening two screws. Sockets are pulse rated porcelain. HID ballasts are high power factor, rated for -30°C starting. Ballasts are multitap, wired at the factory for 277 volts, unless specified. Compact fluorescent transformers are electronic, 120 through 277 volt for 26, 32 or 42 watt 4 pin lamps. Standard LED color temperatures are 3500K and 5100K. Other color temperatures available. Please contact factory. LED constant current driver operates at 700mA.

### UPGRADE KITS

Field replaceable upgrade kits are available for UCB HID. An entire LED assembly, including a driver, is provided. See installation instructions for complete details.

### FINISH

Fixture finish consists of a five stage pretreatment regimen with a polymer primer sealer, oven dry off, and top coated with a thermoset super TGIC polyester powder coat finish. The finish shall meet the AAMA 605.2 performance specification which includes passing a 3000 hour salt spray test for corrosion resistance.

### EISA COMPLIANCE

AAL is committed to complying with U.S. EISA requirements. All applicable products manufactured for sale in the United States after January 1, 2009, meet EISA requirements.

### CERTIFICATION

The fixture is listed with ETL for outdoor, wet location use, UL1570 & 1572 and Canadian CSA Std. C22.2 NO.9. IP Rating: 55

### WARRANTY

Fixture is warranted for three years. Ballast components carry the ballast manufacturer's limited warranty. Any unauthorized return, repair, replacement or modification of the Product(s) shall void this warranty. This warranty applies only to the use of the Product(s) as intended by AAL and does not cover any misapplication or misuse of said Product(s), or installation in hazardous or corrosive environments. Contact AAL for complete warranty language, exceptions, and limitations.

## Architectural Area Lighting

16555 East Gale Ave. | City of Industry | CA 91745  
 P 626.968.5666 | F 626.369.2695 | www.aal.net  
 Design patents, Copyright © 2010 Rev 01/2010