

Medium Scale - Opal Lens

Updated: 01/2010



- Modular system with five luminous options, five hood options, and three optical systems for customization to complement site design
- Opal acrylic lens, Type 5 distribution for soft, general lighting
- Pole, wall, and pendant mounting options
- EISA compliant
- IP65 rated
- Powder coat finish in 13 standard colors with a polymer primer sealer



Architectural Area Lighting

16555 East Gale Ave. | City of Industry | CA 91745
P 626.968.5666 | F 626.369.2695 | www.aal.net
Design patents, Copyright © 2010 Rev 01/2010

Fixture	Luminous Element/Hood	Optics	Lamp/Ballast	Color	Hood Options	Options
1	2	3	4	5	6	7

1. FIXTURE

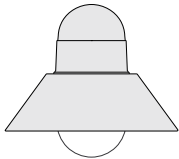
UCM Universe Medium (Opal lens)

2. LUMINOUS ELEMENT AND HOOD

NO LUMINOUS ELEMENT

ANG

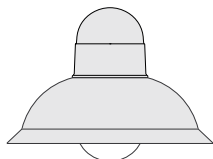
Angled Hood



HT: 18"/457mm
DIA: 20"/508mm
EPA: 0.62
WT: 19.40 lbs

BEL

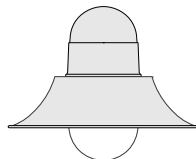
Bell Hood



HT: 18"/457mm
DIA: 24"/610mm
EPA: 0.73
WT: 21.35 lbs

FLR

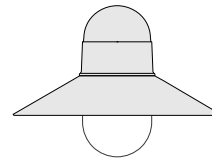
Flared Hood



HT: 18.1"/435mm
DIA: 22"/559mm
EPA: 0.57
WT: 19.70 lbs

STR

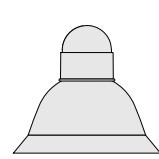
Straight Hood



HT: 18.1"/459mm
DIA: 24"/610mm
EPA: 0.63
WT: 21.10 lbs

SKB

Skirted Bell Hood

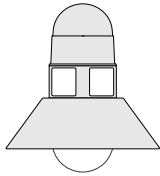


HT: 19.7"/500mm
DIA: 24"/610mm
EPA: 0.90
WT: 21.45 lbs

4 LUMINOUS WINDOWS

WND-ANG

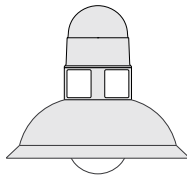
Angled Hood



HT: 22.2"/563mm
DIA: 20"/508mm
EPA: 0.75
WT: 21.55 lbs

WND-BEL

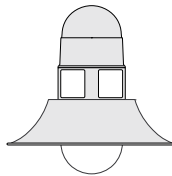
Bell Hood



HT: 22.2"/563mm
DIA: 24"/610mm
EPA: 0.86
WT: 23.50 lbs

WND-FLR

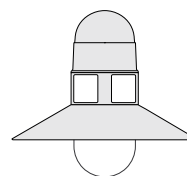
Flared Hood



HT: 22.3"/566mm
DIA: 22"/559mm
EPA: 0.70
WT: 21.85 lbs

WND-STR

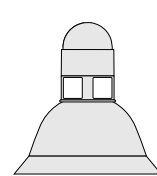
Straight Hood



HT: 22.3"/566mm
DIA: 24"/610mm
EPA: 0.76
WT: 23.25 lbs

WND-SKB

Skirted Bell Hood



HT: 23.9"/607mm
DIA: 24"/610mm
EPA: 1.03
WT: 23.60 lbs

SOLD TO

PO #

JOB NAME

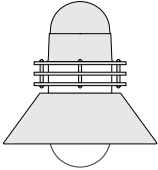
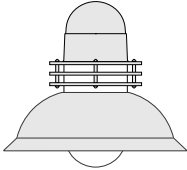
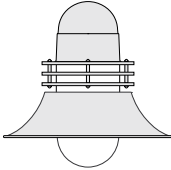
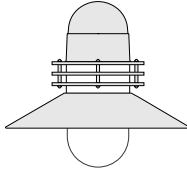
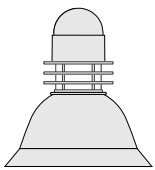
Approvals

Architectural Area Lighting

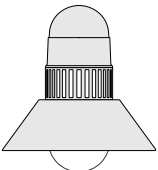
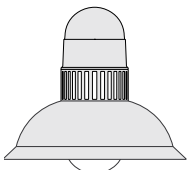
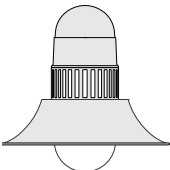
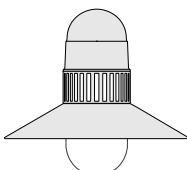
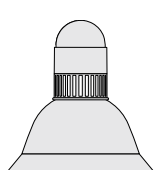
16555 East Gale Ave. | City of Industry | CA 91745
P 626.968.5666 | F 626.369.2695 | www.aal.net
Design patents, Copyright © 2010 Rev 01/2010

Fixture	Luminous Element/Hood	Optics	Lamp/Ballast	Color	Hood Options	Options
1	2	3	4	5	6	7

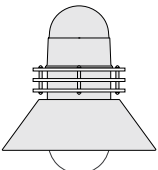
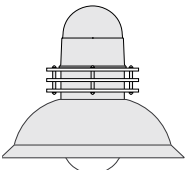
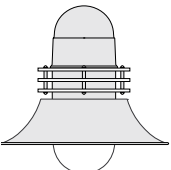
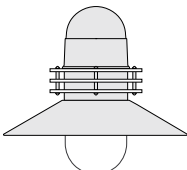
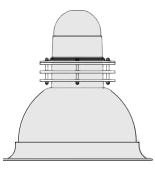
SOLID RINGS

<p><input type="checkbox"/> SR-ANG Angled Hood</p>  <p>HT: 22.5"/572mm DIA: 20"/508mm EPA: 0.77 WT: 30 lbs</p>	<p><input type="checkbox"/> SR-BEL Bell Hood</p>  <p>HT: 22.5"/572mm DIA: 24"/610mm EPA: 0.88 WT: 30 lbs</p>	<p><input type="checkbox"/> SR-FLR Flared Hood</p>  <p>HT: 22.6"/574mm DIA: 22"/559mm EPA: 0.72 WT: 30 lbs</p>	<p><input type="checkbox"/> SR-STR Straight Hood</p>  <p>HT: 22.5"/574mm DIA: 24"/610mm EPA: 0.78 WT: 30 lbs</p>	<p><input type="checkbox"/> SR-SKB Skirted Bell Hood</p>  <p>HT: 24.2"/614mm DIA: 24"/610mm EPA: 1.05 WT: 34 lbs</p>
--	--	--	---	--

VERTICAL SLOTS

<p><input type="checkbox"/> VSL-ANG Angled Hood</p>  <p>HT: 22.2"/564mm DIA: 20"/508mm EPA: 0.75 WT: 30 lbs</p>	<p><input type="checkbox"/> VSL-BEL Bell Hood</p>  <p>HT: 22.2"/564mm DIA: 24"/610mm EPA: 0.86 WT: 30 lbs</p>	<p><input type="checkbox"/> VSL-FLR Flared Hood</p>  <p>HT: 22.3"/566mm DIA: 22"/559mm EPA: 0.70 WT: 30 lbs</p>	<p><input type="checkbox"/> VSL-STR Straight Hood</p>  <p>HT: 22.3"/566mm DIA: 24"/610mm EPA: 0.76 WT: 30 lbs</p>	<p><input type="checkbox"/> VSL-SKB Skirted Bell Hood</p>  <p>HT: 23.9"/607mm DIA: 24"/610mm EPA: 1.03 WT: 34 lbs</p>
--	--	--	---	--

LUMINOUS RINGS

<p><input type="checkbox"/> LUM-ANG Angled Hood</p>  <p>HT: 22.4"/569mm DIA: 20"/508mm EPA: 0.77 WT: 30 lbs</p>	<p><input type="checkbox"/> LUM-BEL Bell Hood</p>  <p>HT: 22.4"/569mm DIA: 24"/610mm EPA: 0.88 WT: 30 lbs</p>	<p><input type="checkbox"/> LUM-FLR Flared Hood</p>  <p>HT: 22.5"/574mm DIA: 22"/559mm EPA: 0.72 WT: 30 lbs</p>	<p><input type="checkbox"/> LUM-STR Straight Hood</p>  <p>HT: 22.5"/574mm DIA: 24"/610mm EPA: 0.78 WT: 30 lbs</p>	<p><input type="checkbox"/> LUM-SKB Skirted Bell Hood</p>  <p>HT: 24.1"/612mm DIA: 24"/610mm EPA: 1.05 WT: 34 lbs</p>
---	---	---	--	---

SOLD TO	PO #	JOB NAME	Approvals
---------	------	----------	-----------

Architectural Area Lighting

16555 East Gale Ave. | City of Industry | CA 91745
 P 626.968.5666 | F 626.369.2695 | www.aal.net
 Design patents, Copyright © 2010 Rev 01/2010

Fixture	Luminous Element/Hood	Optics	Lamp/Ballast	Color	Hood Options	Options
1	2	3	4	5	6	7

3. OPTICS

- OAL Opal acrylic lens-Maximum 100 watts

4. LAMP/BALLAST

- PL57 57 watt compact fluorescent 120 thru 277 volt ballast. Use GE F57QBX lamp.
-10° C minimum start temp.
- 50MH 50 watt metal halide 120/277 volt ballast. Use medium base, ED-17 lamp.
- 70MH 70 watt metal halide 120/208/240/277 volt ballast. Use medium base, ED-17 lamp.
- 70MHEB 70 watt electronic metal halide 120 thru 277 volt ballast. Use medium base, ED-17 lamp.
- 70MHT6 70 watt metal halide 120/277/347 volt ballast. Use G12 base, T-6 ceramic lamp.
- 70MHT6EB 70 watt electronic metal halide 120 thru 277 volt ballast. Use G12 base, T-6 ceramic lamp.
- 100MH 100 watt metal halide 120/208/240/277 volt ballast. Use medium base, ED-17 lamp.
- 100MHEB 100 watt electronic metal halide 120 thru 277 volt ballast. Use medium base, ED-17 lamp.
- 50HPS 50 watt high pressure sodium 120/277 volt ballast. Use medium base, ED-17 lamp.
- 70HPS 70 watt high pressure sodium 120/208/240/277 volt ballast. Use medium base, ED-17 lamp.
- 100HPS 100 watt high pressure sodium 120/208/240/277 volt ballast. Use medium base, ED-17 lamp.
- IL-55 55 watt, induction lamp system with high frequency generator. Specify 120, 208, 240 or 277 volt.
-25° C start temp. Less Luminous Element.
- IL-85 85 watt, induction lamp system with high frequency generator. Specify 120, 208, 240 or 277 volt.
-25° C start temp. Less Luminous Element.

*All ballasts are factory wired for 277 volts, unless specified. Lamps not included (except IL options).
All applicable ballasts are EISA compliant.*

SOLD TO	PO #	JOB NAME	Approvals
Architectural Area Lighting 16555 East Gale Ave. City of Industry CA 91745 P 626.968.5666 F 626.369.2695 www.aal.net Design patents, Copyright © 2010 Rev 01/2010			

Fixture	Luminous Element/Hood	Optics	Lamp/Ballast	Color	Hood Options	Options
1	2	3	4	5	6	7

5. COLOR

<input type="checkbox"/> AWT	Arctic White
<input type="checkbox"/> BLK	Black
<input type="checkbox"/> MTB	Matte Black
<input type="checkbox"/> DGN	Dark Green
<input type="checkbox"/> DBZ	Dark Bronze
<input type="checkbox"/> WRZ	Weathered Bronze
<input type="checkbox"/> BRM	Metallic Bronze
<input type="checkbox"/> VBL	Verde Blue
<input type="checkbox"/> CRT	Corten
<input type="checkbox"/> MAL	Matte Aluminum
<input type="checkbox"/> MDG	Medium Grey
<input type="checkbox"/> ATG	Antique Green
<input type="checkbox"/> LGY	Light Grey
<input type="checkbox"/> RAL/PREMIUM COLOR	Provide a RAL 4 digit color number
<input type="checkbox"/> CUSTOM COLOR	Please provide a color chip for matching

6. HOOD OPTIONS

<input type="checkbox"/> COP	Copper hood
<input type="checkbox"/> STS	Stainless steel hood

The natural copper and stainless steel hoods are unfinished to develop a patina over time. All hoods have the underside of the hoods finished in high reflectance white.

7. OPTIONS

<input type="checkbox"/> 347V	120/240/347 volt ballast for HID lamp/ballast, except 50MH and 50HPS
<input type="checkbox"/> PMS	Pendant mount with 48"/1220mm stem and canopy with swivel. Stem and canopy painted white.
<input type="checkbox"/> PM	Post top mount for OAL and GR3/5 only
<input type="checkbox"/> SLC	Internal sleeve to block light from the lens when a Luminous Element is chosen: WND, SR, VSL or LUM

INNER LENS - (LUM Option only) Optional inner lens adds color to the ring edges when illuminated.

<input type="checkbox"/> BL	Blue acrylic inner lens
<input type="checkbox"/> RD	Red acrylic inner lens
<input type="checkbox"/> GRN	Green acrylic inner lens

SOLD TO	PO #	JOB NAME	Approvals
---------	------	----------	-----------

Architectural Area Lighting

16555 East Gale Ave. | City of Industry | CA 91745
 P 626.968.5666 | F 626.369.2695 | www.aal.net
 Design patents, Copyright © 2010 Rev 01/2010

Specifications

HOUSING

The fixture ballast housing shall be one-piece die cast aluminum. The luminous rings shall be clear acrylic with an internal lens. The lens shall be lightly diffused acrylic, sealed to the housing and shade with molded silicone gaskets. The hood and spacers shall be heavy gage spun aluminum with hemmed edges for added rigidity.

All internal and external hardware shall be stainless steel.

OAL – Molded opal acrylic lens and an aluminum frame. Three captive fasteners shall be loosened to turn and remove the lens for relamping.

ELECTRICAL

The ballast shall be mounted on a prewired tray with a quick disconnect plug and removed by loosening two captive screws. HID ballasts are high power factor, rated for -30°C starting. Sockets are medium or G12 base, pulse rated porcelain. Ballasts are wired at the factory for 277 volts, unless specified.

INSTALLATION & MOUNTING

The fixture shall be attached to the arm assembly with three stainless steel bolts. The connection shall be sealed with a silicone compression gasket.

PM - The post top version shall slip over a 4"/100mm O.D pole or tenon, and secured with six stainless steel set screws.

FINISH

Fixture finish consists of a five stage pretreatment regimen with a polymer primer sealer, oven dry off and top coated with a thermoset super TGIC polyester powder coat finish. The finish shall meet the AAMA 605.2 performance specification which includes passing a 3000 hour salt spray test for corrosion resistance.

EISA COMPLIANCE

AAL is committed to complying with U.S. EISA requirements. All applicable products manufactured for sale in the United States after January 1, 2009, meet EISA requirements.

CERTIFICATION

The fixture shall be listed with ETL and U.L. for outdoor, wet location use, UL1598 and Canadian CSA Std. C22.2 NO.250. IP=65

WARRANTY

Fixture is warranted for three years. Ballast components carry the ballast manufacturer's limited warranty. Any unauthorized return, repair, replacement or modification of the Product(s) shall void this warranty. This warranty applies only to the use of the Product(s) as intended by AAL and does not cover any misapplication or misuse of said Product(s), or installation in hazardous or corrosive environments. Contact AAL for complete warranty language, exceptions, and limitations.

Architectural Area Lighting

16555 East Gale Ave. | City of Industry | CA 91745
P 626.968.5666 | F 626.369.2695 | www.aal.net
Design patents, Copyright © 2010 Rev 01/2010