



*Classic*  
**Pericline™**



ARCHITECTURAL AREA LIGHTING

## ORDERING EXAMPLES

1	2	3	4	5
LUMINAIRE	LAMP/BALLAST	COLOR	OPTIONS	MOUNTING
PER-S-CY	150PSMH	BLK	FS1	•
PER-M-RL	250PSMH	AWT	FS1	PT2



### 1-LUMINAIRE

#### SMALL PERICLINE

**PER-S-CY** Post top mount, cylindrical, slips over 2 3/8"/61mm O.D. x 4"/100mm long tenon\*. 27 lbs EPA: 1.0

**PER-S-RL** Post top mount, rectilinear, slips over 2 3/8"/61mm O.D. x 4"/100mm long tenon\*. 28 lbs EPA: 2.10

\* See options

#### MEDIUM PERICLINE

**PER-M-CY** Post top mount, cylindrical, slips over 2 3/8"/61mm O.D. x 4"/100mm long tenon\*. 50 lbs EPA: 2.6

**PER-M-RL** Post top mount, rectilinear, slips over 2 3/8"/61mm O.D. x 4"/100mm long tenon\*. 50 lbs EPA: 3.7

\* See options

### 2-LAMP/BALLAST

#### SMALL PERICLINE

**70MH** 70 watt metal halide 120/208/240/277 volt ballast. Use mogul base, ED-28 lamp.

**100MH** 100 watt metal halide 120/208/240/277 volt ballast. Use medium base, ED-17 lamp.

**150PSMH** Pulse start 150 watt metal halide 120/208/240/277 volt ballast. Use mogul base, ED-28 lamp.

**200PSMH** Pulse start 200 watt metal halide 120/208/240/277 volt ballast. Use mogul base, ED-28 lamp.

**250PSMH** Pulse start 250 watt metal halide 120/208/240/277 volt ballast. Use mogul base, ED-28 lamp.

**70HPS** 70 watt high pressure sodium 120/208/240/277 volt ballast. Use mogul base, ED-23 1/2 lamp.

**100HPS** 100 watt high pressure sodium 120/208/240/277 volt ballast. Use mogul base, ED-23 1/2 lamp.

**150HPS** 150 high pressure sodium 120/208/240/277 volt ballast. Use mogul base, ED-23 1/2 lamp.

**200HPS** 200 high pressure sodium 120/208/240/277 volt ballast. Use mogul base, ED-18 lamp.

**250HPS** 250 high pressure sodium 120/208/240/277 volt ballast. Use mogul base, ED-18 lamp.

#### MEDIUM PERICLINE

**200PSMH** Pulse start 200 watt metal halide 120/208/240/277 volt ballast. Use mogul base, ED-28 lamp.

**250PSMH** Pulse start 250 watt metal halide 120/208/240/277 volt ballast. Use mogul base, ED-28 lamp.

**320PSMH** Pulse start 320 watt metal halide 120/208/240/277 volt ballast. Use mogul base, ED-28 lamp.

**350PSMH** Pulse start 350 watt metal halide 120/208/240/277 volt ballast. Use mogul base, ED-28 lamp.

**400PSMH** Pulse start 400 watt metal halide 120/208/240/277 volt ballast. Use mogul base, ED-28 lamp.

**200HPS** 200 high pressure sodium 120/208/240/277 volt ballast. Use mogul base, ED-18 lamp.

**250HPS** 250 high pressure sodium 120/208/240/277 volt ballast. Use mogul base, ED-18 lamp.

**400HPS** 400 high pressure sodium 120/208/240/277 volt ballast. Use mogul base, ED-18 lamp.

*All ballasts are factory wired for 277 volts, unless specified. Lamps not included.*

*All applicable ballasts are EISA compliant.*

### 3-COLOR

All standard and premium AAL colors available.

For RAL and custom colors, please submit a 4-digit RAL number or color chip for custom colors.

### 4-OPTIONS

**FS1** Single fuse holder (120/277/347V), specify voltage. Fuse by others.

**FS2** Double fuse holder (208/240/480V), specify voltage. Fuse by others.

**ASY** Asymmetric distribution-field installed

**HSS45** Semi-cutoff house side shield provides cutoff at 1.5 mounting height - field installed

**HSS90** House side shield full cutoff at pole-field installed

**480V** 480V ballast (not available for 150PSMH).

**347V** 347V ballast (120/277/347V).

**LXN-RL** Lexan rectilinear

**\*TEN** 2 3/8"/61mm O.D. x 4"/100mm long tenon (required for pole)

**5-MOUNTING**

**SMALL PERICLINE**

**PT2** Post top with 2 arms, slips over a 2 3/8"/61mm O.D. x 4"/100mm long tenon\*.

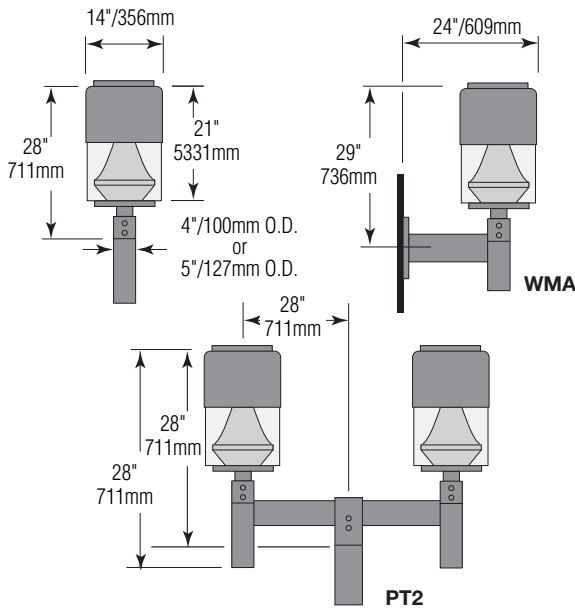
**WMA** Wall mounted arm with ballast compartment (up to 150PSMH)

**MEDIUM PERICLINE**

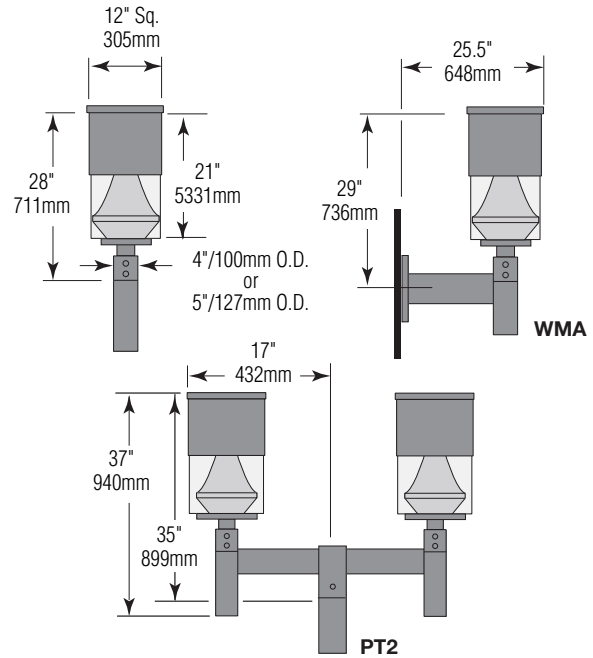
**PT2** Post top with 2 arms, slips over a 2 3/8"/61mm O.D. x 4"/100mm long tenon\*.

\* See options

**SMALL PERICLINE-CYLINDRICAL**

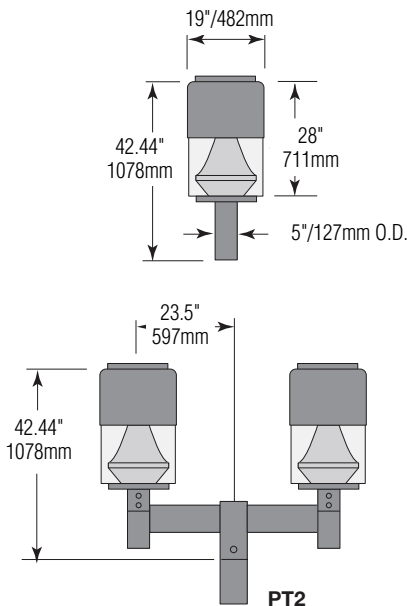


**SMALL PERICLINE-RECTILINEAR**

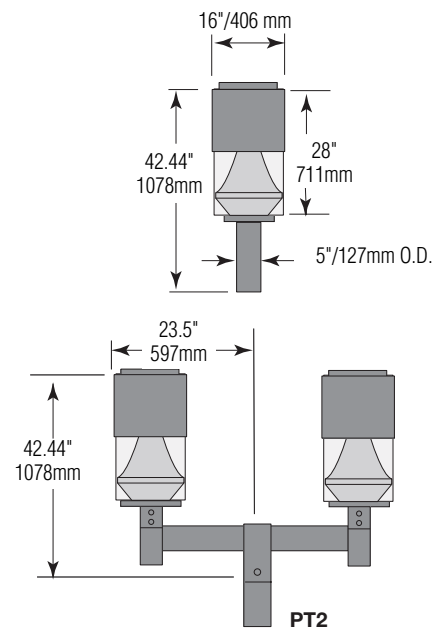


Note: For fixtures utilizing 150PSMH and 150HPS and below, the standard slipfitter size shall be 4"/100mm square for RL and 4"/100mm O.D. for the CY. For fixtures utilizing 250PSMH and 200HPS and above, the standard slipfitter size shall be 5"/127mm square for the RL and 5"/127mm O.D. for the CY. Slipfitter is designed for use with a 2 3/8"/61mm O.D. by 4"/100mm high pole tenon.

**MEDIUM PERICLINE-CYLINDRICAL**



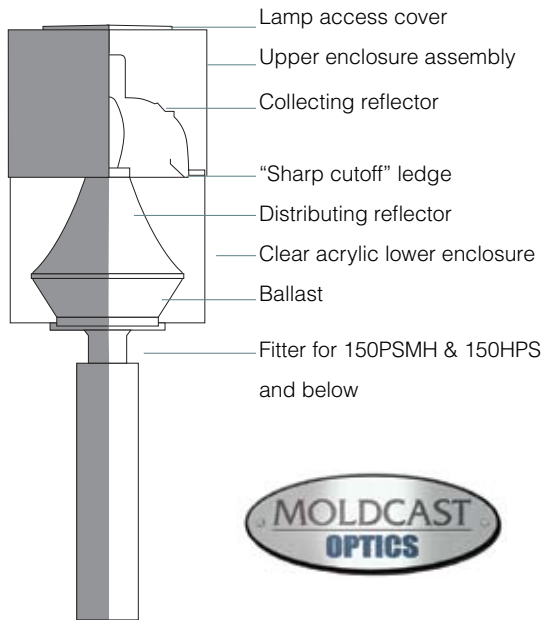
**MEDIUM PERICLINE-RECTILINEAR**



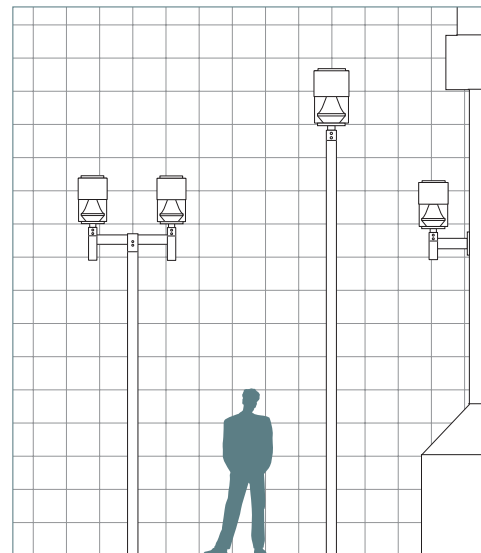
Note: The standard slipfitter size shall be 5"/127mm square for RL and 5"/127mm O.D. for the CY. Slipfitter is designed for use with a 2 3/8"/61mm O.D. by 4"/100mm high pole tenon.

**ARCHITECTURAL AREA LIGHTING**

## OPTICAL SYSTEM



## ELEVATED SCALE



scale: 0.25" = 1'

FIXTURE	PER-S	PER-M	PER-S
MOUNT	PT2	•	WMA
POLE	PR4-4R16	PR4-4R20	•

## SPECIFICATIONS

### FIXTURE SUPPORT ASSEMBLY

Fixture shall be supported by a cast aluminum base plate and slipfitter assembly. For fixtures utilizing 150PSMH and 150HPS and below, the standard slipfitter size shall be 4"/100mm square for RL and 4"/100mm O.D. for the CY. For fixtures utilizing 250PSMH and 200HPS and above, the standard slipfitter size shall be 5"/127mm square for the RL and 5"/127mm O.D. for the CY. Slipfitter shall accommodate a 2 3/8"/61mm O.D. x 4"/100mm high pole tenon assembly.

### LUMINAIRE HOUSING

Upper housing assembly shall be constructed from fabricated aluminum for the RL - rectilinear luminaire and spun aluminum for the CY - cylindrical luminaire. Upper housing shall be supported by internal brackets with no structural stress on the lens. Removable aluminum top cover shall be gasketed and secured by means of stainless steel fasteners. Lens shall be a one-piece, injection molded, UV resistant clear acrylic.

### ELECTRICAL

Fixture shall be U.L. listed and CSA approved for use in outdoor wet locations. Ballast shall be high power factor multi-tap style (120/208/240/277V). Note: All ballasts are factory prewired per customer's request.

### OPTICAL SYSTEM

Optical system shall consist of the patented Pericline reflector assembly, a sharp cutoff dual reflector system consisting of collecting and distributing reflectors designed to provide sharp cutoff at 76°. The optical system shall be capable of producing maximum light intensities which strike the ground at approximately 2-3/4 times the luminaire mounting height. Reflectors shall be spun aluminum with specular Alzak® finish.

### FINISH

Fixture finish consists of a five stage pretreatment regimen with a polymer primer sealer, oven dry off and top coated with a thermoset super TGIC polyester powder coat finish. The finish shall meet the AAMA 605.2 performance specification which includes passing a 3000 hour salt spray test for corrosion resistance.

### EISA COMPLIANCE

AAL is committed to complying with U.S. EISA requirements. All applicable products manufactured for sale in the United States after January 1, 2009, meet EISA requirements.

### CERTIFICATION

All electrical components and materials shall be U.L. recognized. Fixtures shall be listed with U.L. laboratories for wet location use. IP=53

### WARRANTY

Fixture is warranted for three years. Ballast components carry the ballast manufacturer's limited warranty. Any unauthorized return, repair, replacement or modification of the Product(s) shall void this warranty. This warranty applies only to the use of the Product(s) as intended by AAL and does not cover any misapplication or misuse of said Product(s), or installation in hazardous or corrosive environments. Contact AAL for complete warranty language, exceptions, and limitations.

