

Bollard

Updated: 01/2010

- Full cutoff, dark sky compliant optical system
- Available with round or square cast shade
- Coordinates with Arts & Crafts family of fixtures
- EISA compliant
- IP55 rated
- Powder coat finish in 13 standard colors with a polymer primer sealer



Architectural Area Lighting

16555 East Gale Ave. | City of Industry | CA 91745
P 626.968.5666 | F 626.369.2695 | www.aal.net
Design patents, Copyright © 2010 Rev 01/2010

Fixture	Lamp/Ballast	Color
1	2	3

1. FIXTURE

- | | | | |
|---------------------------------------|---------------------------------|---------------------------------------|----------------------------------|
| <input type="checkbox"/> BACRD | Round Bollard
Weight: 27lbs. | <input type="checkbox"/> BACSQ | Square Bollard
Weight: 27lbs. |
|---------------------------------------|---------------------------------|---------------------------------------|----------------------------------|

2. LAMP/BALLAST

- CF** Fluorescent, electronic ballast 120 thru 277 volt. -18° C min start temp.
Use 4-pin 26, 32 or 42 watt lamp. Specify wattage.

 - 50MH** 50 watt metal halide 120/277 volt ballast. Use medium base, ED-17 lamp.

 - 50MHEB** 50 watt electronic metal halide 120 thru 277 volt ballast. Use medium base, ED-17 lamp.

 - 70MH** 70 watt metal halide 120/208/240/277 volt ballast. Use medium base, ED-17 lamp.

 - 70MHEB** 70 watt electronic metal halide 120 thru 277 volt ballast. Use medium base, ED-17 lamp.

 - 70MHT6** 70 watt metal halide 120/277 volt ballast. Use G12 base, T-6 ceramic lamp.

 - 70MHT6EB** 70 watt electronic metal halide 120 through 277 volt ballast. Use G12 base, T-6 ceramic lamp.

 - 50HPS** 50 watt high pressure sodium 120/277 volt ballast. Use medium base, ED-17 lamps.

 - 70HPS** 70 watt high pressure sodium 120/208/240/277 volt ballast. Use medium base, ED-17 lamps.

 - IL-55** 55 watt induction lamp system. 120, 208, 240, or 277 volt ballast. -25°C min start temp.
- All ballasts are factory wired for 277 volts, unless specified. Lamps not included (except IL option).*

3. COLOR

- AWT** Arctic White

- BLK** Black

- MTB** Matte Black

- DGN** Dark Green

- DBZ** Dark Bronze

- WRZ** Weathered Bronze

- BRM** Metallic Bronze

- VBL** Verde Blue

- CRT** Corten

- MAL** Matte Aluminum

- MDG** Medium Grey

- ATG** Antique Green

- LGY** Light Warm Gray

- RAL COLOR:** Provide a RAL 4 digit color number

- CUSTOM COLOR:** Provide a color chip for matching

SOLD TO

PO #

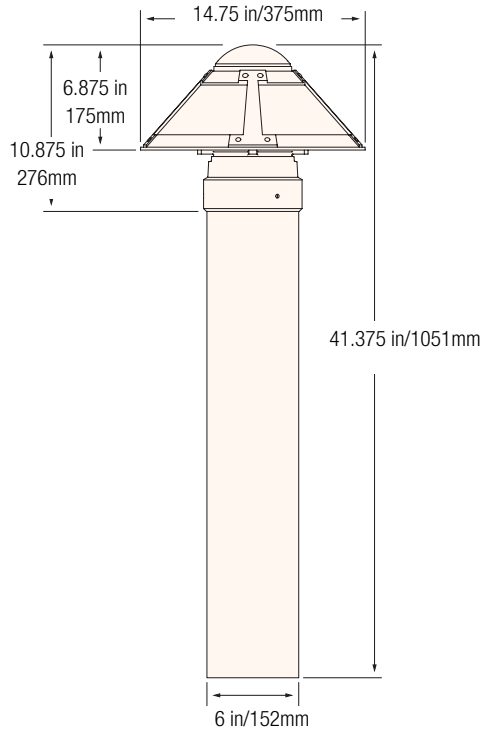
JOB NAME

Approvals

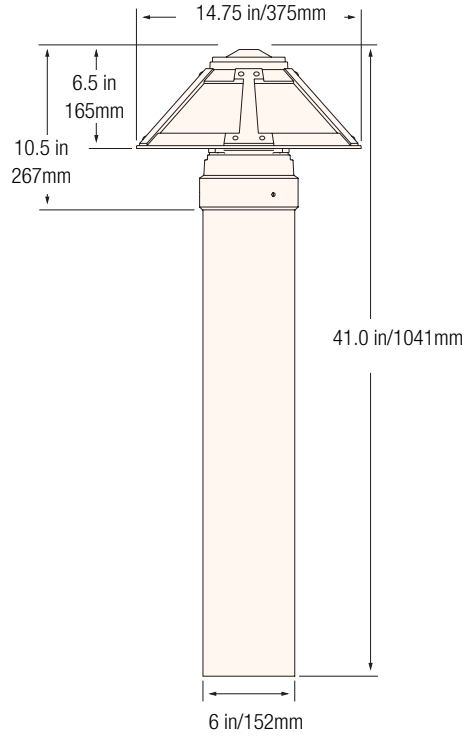
Architectural Area Lighting

16555 East Gale Ave. | City of Industry | CA 91745
 P 626.968.5666 | F 626.369.2695 | www.aal.net
 Design patents, Copyright © 2010 Rev 01/2010

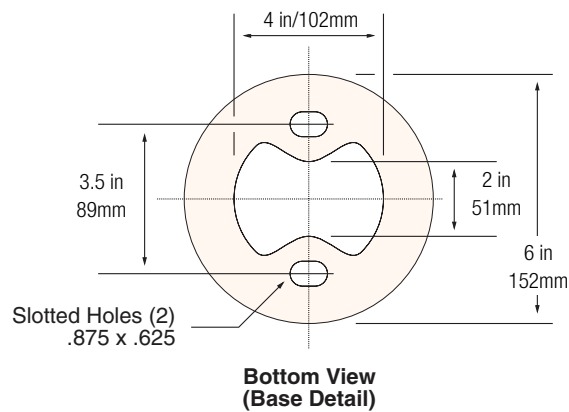
BACRD



BACSQ



Anchor bolts are
1/2 in x 10 in (12mm x 255mm)



SOLD TO

PO #

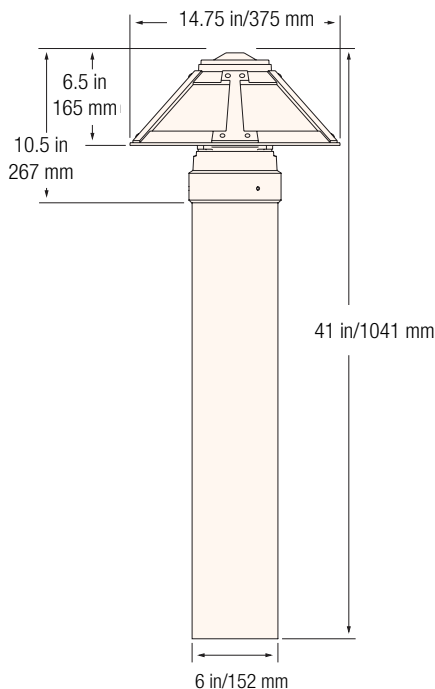
JOB NAME

Approvals

Architectural Area Lighting

16555 East Gale Ave. | City of Industry | CA 91745
P 626.968.5666 | F 626.369.2695 | www.aal.net
Design patents, Copyright © 2010 Rev 01/2010

Specifications



HOUSING

The fixture housing, shade, and base are cast aluminum, A356 alloy, free of any porosity, foreign materials, or cosmetic fillers. The shaft shall be 6 in wide and 34 1/4 in. tall, extended 6061-T6 aluminum. The ballast is mounted internally and accessed by loosening three set screws and lifting the fixture head off of the shaft. Relamping is done by removing three stainless steel acorn nuts underneath the shade and lifting it off the base. The lens is press molded, tempered borosilicate glass, sealed to the top with a silicone gasket. All internal and external hardware is stainless steel. Only available in solid cast shade.

ELECTRICAL

The ballast is integral to the fixture, mounted on a prewired module with a quick disconnect plug. The ballast module has two keyhole slots and is removable by loosening two screws. Sockets are pulse rated porcelain.

HID ballasts are high power factor, rated for -30°C starting. Ballasts are multitap, wired at the factory for 277 volts unless specified. Compact fluorescent transformers are electronic, 120 through 277 volt for 26, 32 or 42 watt 4 pin lamps.

FINISH

Fixture finish shall consist of a five stage pretreatment regimen with a polymer primer sealer, oven dry off and top coated with a thermoset super TGIC polyester powder coat finish. The finish shall meet the AAMA 605.2 performance specification which includes passing a 3000 hour salt spray test for corrosion resistance.

RELAMPING

Access to the lamp is accomplished by loosening a captive screw at the underside of shade and directly opposite hinge. The lamp compartment is accessed by turning a knob that is attached to the removable socket plate.

EISA COMPLIANCE

AAL is 100% committed to complying with EISA requirements. All applicable products manufactured for sale in the United States after January 1, 2009, will meet EISA requirements.

CERTIFICATION

The fixture is listed with ETL for outdoor, wet location use, UL1598 and Canadian CSA Std. C22.2 NO.250. IP Rating: 55

WARRANTY

Fixture is warranted for three years. Ballast components carry the ballast manufacturer's limited warranty. Any unauthorized return, repair, replacement or modification of the Product(s) shall void this warranty. This warranty applies only to the use of the Product(s) as intended by AAL and does not cover any misapplication or misuse of said Product(s), or installation in hazardous or corrosive environments. Contact AAL for complete warranty language, exceptions, and limitations.

Architectural Area Lighting

16555 East Gale Ave. | City of Industry | CA 91745
P 626.968.5666 | F 626.369.2695 | www.aal.net
Design patents, Copyright © 2010 Rev 01/2010