

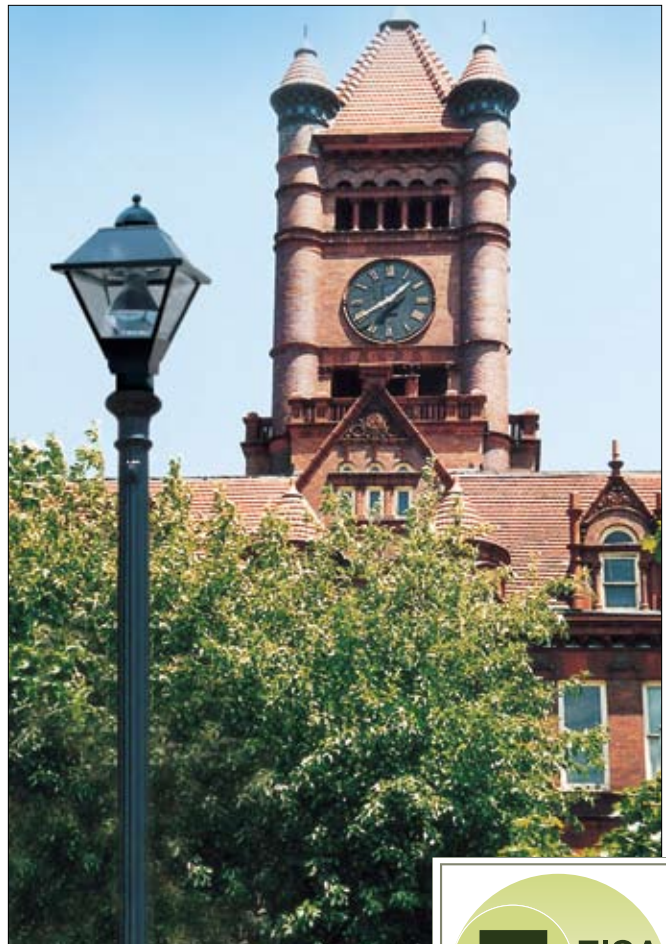
Updated: 01/2010



Horizontal Reflector



- Classic coach lantern styling
- Die-cast aluminum housing
- Full cutoff option available
- Type 2,3,4 and 5 cutoff, horizontal lamp segmented reflector with die cast back housing or patented Moldcast sharp cutoff dual reflector system
- Hinged main housing assembly allows for tool-less access to the lamp for servicing
- Side mounted ballast access door is hinged facilitating electrical maintenance
- EISA compliant
- IP55 rated
- Powder coat finish in thirteen standard colors with a polymer primer



Architectural Area Lighting

16555 East Gale Ave. | City of Industry | CA 91745
 P 626.968.5666 | F 626.369.2695 | www.aal.net
 Design patents, Copyright © 2010 Rev 01/2010



| Fixture | Lamp/Ballast | Color | Options |
|---------|--------------|-------|---------|
| 1 | 2 | 3 | 4 |

1. FIXTURE

- CLL-H2 Type 2 horizontal, medium base, ED-17 lamp only (150 watt max)
- CLL-H3 Type 3 horizontal, medium base, ED-17 lamp only (150 watt max)
- CLL-H4 Type 4 horizontal, medium base, ED-17 lamp only (150 watt max)
- CLL-H5 Type 5 horizontal, medium base, ED-17 lamp only (150 watt max)
- CLL-PER Pericline, symmetric distribution (max 320 watt PSMH, 250 watt HPS)

2. LAMP/BALLAST

- 100MH 100 watt metal halide 120/208/240/277 volt ballast. Use medium base, ED-17 lamp.
- 150PSMH Pulse start 150 watt metal halide 120/208/240/277 volt ballast. Use medium base, ED-17 lamp for horizontal optics. Use mogul base, ED-28 lamp for Pericline optics.
- 200 PSMH Pulse start 200 watt metal halide 120/208/240/277 volt ballast. Use mogul base, ED-28 lamp.
Available with CLL-PER only.
- 250PSMH Pulse start 250 watt metal halide 120/208/240/277 volt ballast. Use mogul base, ED-28 lamp.
Available with CLL-PER only.
- 320PSMH Pulse start 320 watt metal halide 120/208/240/277 volt ballast. Use mogul base, ED-28 lamp.
Available with CLL-PER only.
- 100HPS 100 watt high pressure sodium 120/208/240/277 volt ballast. Use medium base, ED-17 lamp for horizontal optics. Use mogul base, ED-23 1/2 lamp for Pericline optics.
- 150HPS 150 watt high pressure sodium 120/208/240/277 volt ballast. Use medium base, ED-17 lamp for horizontal optics. Use mogul base, ED-23 1/2 lamp for Pericline optics.
- 200HPS 200 watt high pressure sodium 120/208/240/277 volt ballast. Use mogul base, ED-18 lamp.
Available with CLL-PER only.
- 250HPS 250 watt high pressure sodium 120/208/240/277 volt ballast. Use mogul base, ED-18 lamp.
Available with CLL-PER only.

*For pericline models with PSMH ballasts, use a lamp approved for vertical burning.
All ballasts are factory wired for 277 volts, unless specified. Lamps not included.
All applicable ballasts are EISA compliant.*

3. COLOR

- | | |
|---|--|
| <input type="checkbox"/> AWT Arctic White | <input type="checkbox"/> CRT Corten |
| <input type="checkbox"/> LGY Light Grey | <input type="checkbox"/> BRM Metallic Bronze |
| <input type="checkbox"/> MAL Matte Aluminum | <input type="checkbox"/> DBZ Dark Bronze |
| <input type="checkbox"/> MDG Medium Grey | <input type="checkbox"/> BLK Black |
| <input type="checkbox"/> ATG Antique Green | <input type="checkbox"/> MTB Matte Black |
| <input type="checkbox"/> VBL Verde Blue | <input type="checkbox"/> RAL# |
| <input type="checkbox"/> WRZ Weathered Bronze | <input type="checkbox"/> CUSTOM |
| <input type="checkbox"/> DGN Dark Green | |

SOLD TO _____ PO # _____ JOB NAME _____

Approvals

Architectural Area Lighting

16555 East Gale Ave. | City of Industry | CA 91745
 P 626.968.5666 | F 626.369.2695 | www.aal.net
 Design patents, Copyright © 2010 Rev 01/2010

| Fixture | Lamp/Ballast | Color | Options |
|---------|--------------|-------|---------|
| 1 | 2 | 3 | 4 |

4. OPTIONS

- FCO Full cutoff configuration. Flat glass lens. Horizontal optics only.

- ASY Asymmetric distribution - field installed. Pericline optics only. Not available with FCO.

- HSS House side shield (factory installed). Horizontal optics only.

- HSS45 Semi-cutoff house side shield provides cutoff at 1.5 mounting heights - field installed. Pericline optics only. Not available with FCO.

- HSS90 House side shield full cutoff at pole - field installed. Pericline optics only. Not available with FCO.

- LDL Lightly diffused lens. Not available with FCO.

- TA23 Tenon adapter slips over a 2 3/8"/60mm tenon by 4"/100mm long

- TA3 Tenon adapter slips over a 3"/75mm tenon by 4"/100mm long

- AD5 Tenon adapter slips over a 5"/127mm O.D. pole. Secures to the pole with six stainless steel set screws.

- PCR Photo control receptacle-at top of the housing. Photocell by others.

- 347V 347V ballast (120/277/347V)

- 480V 480V ballast (not available for 320 PSMH)

- FS1 Single fusing (120/277/347V), specify voltage. Fuse by others.

- FS2 Double fusing (208/240/480V), specify voltage. Fuse by others.

- CHM Glass chimney with brass holder. Decorative use only. Horizontal optics only. Not available with FCO.

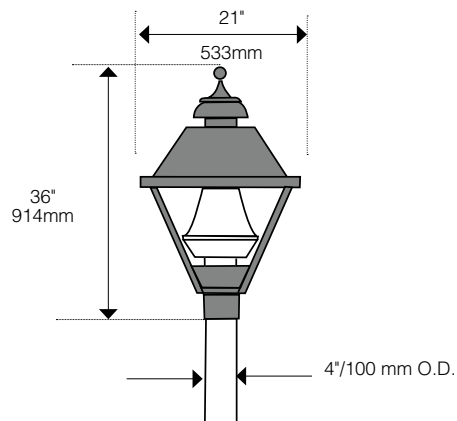
- CND 3 lamp candelabra with polished brass holder. Lamps included. Decorative use only. Not electrically wired. Horizontal optics only. Not available with FCO.



Architectural Area Lighting

16555 East Gale Ave. | City of Industry | CA 91745
 P 626.968.5666 | F 626.369.2695 | www.aal.net
 Design patents, Copyright © 2010 Rev 01/2010

Specifications



Wt: 50 lbs.

EPA: 2.10

LAMP MODULE

The upper lamp housing shall be die-cast aluminum. The housing assembly consists of an external ornamental shell and an internal high performance reflector system. The assembly is hinged to the main housing and secured with a quarter-turn thumb fastener allowing tool-less access to the lamp for servicing. The main housing consists of an upper aluminum support structure and a lower cast aluminum ballast enclosure. A side mounted ballast access door is hinged to the ballast enclosure section facilitating electrical maintenance. The lens enclosure is one-piece, vacuum molded, UV stabilized, clear acrylic.

The Civic Lantern™ features a variety of high performance optical systems, including the patented Pericline Moldcast “sharp cutoff” dual reflector system of specular Alzak coated spun aluminum. The pericline optical system operates in a vertical lamp burning position. The reflector shall be removed without tools by releasing a pair of steel latches. The reflector tray shall be rotatable on 90° centers for orienting the light distribution. The horizontal lamp reflectors shall meet ANSI-IES standards for cutoff reflector systems. All sockets are pulse rated porcelain.

FULL CUTOFF

When the FCO option is chosen, the pyramid lens is removed and replaced with a flat glass lens. The reflector system is situated in the dome compartment. It is weather sealed with a sheet aluminum optical shield assembly and a memory retentive silicone gasket to prevent ingress of dust, bugs and moisture. The optical shield channels the light downward, providing IES full cutoff classification meaning there is no light emitted at 90° horizontal or above. The ballast compartment is weather sealed between a sheet aluminum cover plate equipped with a memory retentive silicone gasket and the ballast housing. The wires are channeled up the strut with a weatherproof U.L. approved cable.

ELECTRICAL MODULE

The lower ballast housing shall be cast aluminum with tool-less ballast access for servicing; accomplished by removing two quarter-turn thumb fasteners. The ballast shall be mounted on a prewired tray with a quick disconnect plug attached to the underside of the cover. All ballasts are high power factor, separate component type, suitable for -30°C minimum starting temperature. Electrical components are mounted on unitized trays with quick electrical disconnects. Ballasts are multi-tap wired at the factory for 277 volts, unless specified. The Civic Lantern shall be factory supplied prewired with some assembly required for installation and mounting the architecturally detailed, 5 1/2”/127mm diameter, sandcast aluminum slipfitter. The slipfitter is designed for use with a 4”/100mm O.D. pole.

FINISH

Fixture finish consists of a five stage pretreatment regimen with a polymer primer sealer, oven dry off and top coated with a thermoset super TGIC polyester powder coat finish. The finish shall meet the AAMA 605.2 performance specification which includes passing a 3000 hour salt spray test for corrosion resistance.

EISA COMPLIANCE

AAL is committed to complying with U.S. EISA requirements. All applicable products manufactured for sale in the United States after January 1, 2009, meet EISA requirements.

CERTIFICATION

The fixture shall be listed to U.L. 1598 and Canadian CSA Std. C22.2 no250. suitable for outdoor, wet location use. IP=55.

WARRANTY

Fixture is warranted for three years. Ballast components carry the ballast manufacturer’s limited warranty. Any unauthorized return, repair, replacement or modification of the Product(s) shall void this warranty. This warranty applies only to the use of the Product(s) as intended by AAL and does not cover any misapplication or misuse of said Product(s), or installation in hazardous or corrosive environments. Contact AAL for complete warranty language, exceptions, and limitations.

Architectural Area Lighting

16555 East Gale Ave. | City of Industry | CA 91745
 P 626.968.5666 | F 626.369.2695 | www.aal.net
 Design patents, Copyright © 2010 Rev 01/2010