

Updated: 01/2010



- Field rotatable optics rotates on 90° centers and snaps on and off for easy orientation without tools
- One-piece, memory retentive, silicone gasket seals out contaminants for optimum lighting performance
- Type 2,3,4 and 5 full cutoff, horizontal reflectors
- Separate sand cast aluminum ballast module for cooler operation and extended component life
- Streamlined design EPA of .74
- EISA compliant
- IP55 Rated
- Powder coat finish in thirteen standard colors with a polymer primer sealer



## Architectural Area Lighting

16555 East Gale Ave. | City of Industry | CA 91745  
P 626.968.5666 | F 626.369.2695 | [www.aal.net](http://www.aal.net)  
Design patents, Copyright © 2010 Rev 01/2010

Fixture	Lamp/Ballast	Color	Options	Mounting
1	2	3	4	5

1. FIXTURE

- DIR-H2 Type 2 Horizontal reflector, flat tempered glass lens.
- DIR-H3 Type 3 Horizontal reflector, flat tempered glass lens.
- DIR-H4 Tpe 4 Horizontal reflector, flat tempered glass lens.
- DIR-H5 Type 5 Horizontal reflector, flat tempered glass lens.

2. LAMP/BALLAST

- 50MH 50 watt metal halide 120/277 volt ballast. Use medium base, ED-17 lamp.
- 50MHEB 50 watt electronic metal halide 120 thru 277 volt ballast. Use medium base, ED-17 lamp.
- 70MH 70 watt metal halide 120/208/240/277 volt ballast. Use medium base, ED-17 lamp.
- 70MHEB 70 watt electronic metal halide 120 thru 277 volt ballast. Use medium base, ED-17 lamp.
- 70MHT6 70 watt metal halide 120/277 volt ballast. Use G12 base, T6 ceramic lamp.
- 70MHT6EB 70 watt electronic metal halide 120 thru 277 volt ballast. Use G12 base, T6 ceramic lamp.
- 100MH 100 watt metal halide 120/208/240/277 volt ballast. Use medium base, ED-17 lamp.
- 150PSMH Pulse start 150 watt metal halide 120/208/240/277 volt ballast. Use medium base, ED-17 lamp.
- 150PSMHT6 Pulse start 150 watt metal halide 120/208/240/277 volt ballast. Use G12 base, T6 ceramic lamp.
- 150MHEB 150 watt electronic metal halide 120 thru 277 volt ballast. Use medium base, ED-17 lamp.
- 150MHT6EB 150 watt electronic metal halide 120 thru 277 volt ballast. Use G12 base, T6 ceramic lamp.
- 70HPS 70 high pressure sodium 120/208/240/277 volt ballast. Use medium base, ED-17 lamp.
- 100HPS 100 high pressure sodium 120/208/240/277 volt ballast. Use medium base ED-17 lamp.
- 150HPS 150 high pressure sodium 120/208/240/277 volt ballast. Use medium base, ED-17 lamp.
- CF Compact Fluorescent, electronic 120 thru 277 volt ballast. -18° C starting temperature. Use 4-pin 26,32, or 42 watt lamp. Specify wattage.
- PL57 57 watt compact fluorescent 120 thru 277 volt ballast. Use GE F57QBX lamp. -10° C minimum start temp.

*All ballasts are factory wired for 277 volts, unless specified. Lamps not included.  
All applicable ballasts are EISA compliant.*

3. COLOR

- |   |  |
|---|--|
| <input type="checkbox"/> AWT Arctic White     | <input type="checkbox"/> DGN Dark Green  |
| <input type="checkbox"/> LGY Light Grey       | <input type="checkbox"/> CRT Corten  |
| <input type="checkbox"/> MAL Matte Aluminum   | <input type="checkbox"/> BRM Metallic Bronze                                   |
| <input type="checkbox"/> MDG Medium Grey      | <input type="checkbox"/> DBZ Dark Bronze                                       |
| <input type="checkbox"/> ATG Antique Green    | <input type="checkbox"/> BLK Black   |
| <input type="checkbox"/> VBL Verde Blue       | <input type="checkbox"/> MTB Matte Black                                       |
| <input type="checkbox"/> WRZ Weathered Bronze | <input type="checkbox"/> RAL# Provide a RAL 4 digit color number               |
|   | <input type="checkbox"/> CUSTOM COLOR Please provide a color chip for matching |

SOLD TO

PO #

JOB NAME

Approvals
-----------

Architectural Area Lighting

16555 East Gale Ave. | City of Industry | CA 91745  
 P 626.968.5666 | F 626.369.2695 | www.aal.net  
 Design patents, Copyright © 2010 Rev 01/2010

Fixture 1	Lamp/Ballast 2	Color 3	Options 4	Mounting 5
--------------	-------------------	------------	--------------	---------------

4. OPTIONS

**LDL**

Lightly diffused lens. Frosted, flat tempered glass lens has a lightly diffused finish to minimize the lamp and reflector brightness.

**RCK— Rock Guard**

Rock Guard factory installed on the lens frame, black finish.

**BPC12-120V/BPC27-**

208/240/277V—**Photocell**  
Button type photocell with adjustable swivel for aiming. Requires field wiring.



**HSS**

House side shield to cut off light behind the pole and shield the lamp from view.

*HSS not available for type 5.  
Factory Installed.*

**QL**

Socket for T-4 mini-can lamp, field wired to a separate circuit. (Lamp wattage not to exceed

**QRS**

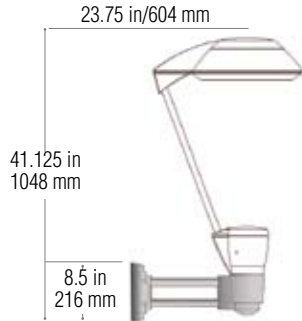
Restrike controller and T-4 mini-can socket. Not required with electronic ballast. (Lamp wattage not to exceed ballast wattage).

*Egress lighting codes require an illuminated path to allow occupants to get a safe distance from the building during a power failure or other emergency. In conjunction with the proper wiring, these two options can be implemented to provide egress lighting.*

5. MOUNTING OPTIONS

**WMA**

Wall Mounted Arm, 10lbs, EPA: .38



**AD4**

Adaptor slips over a 4 in/100 mm Pole, 1 lb, EPA: .15



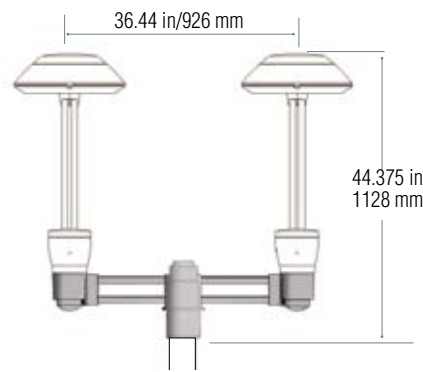
**PMAS**

Arm mount, designed to slip over a 4 in/100 mm pole or tenon. 15lbs, EPA: .52



**PMAT**

Twin arm mount designed to slip over a 4 in/100 mm pole or tenon. 24lbs, EPA: .82



Architectural Area Lighting

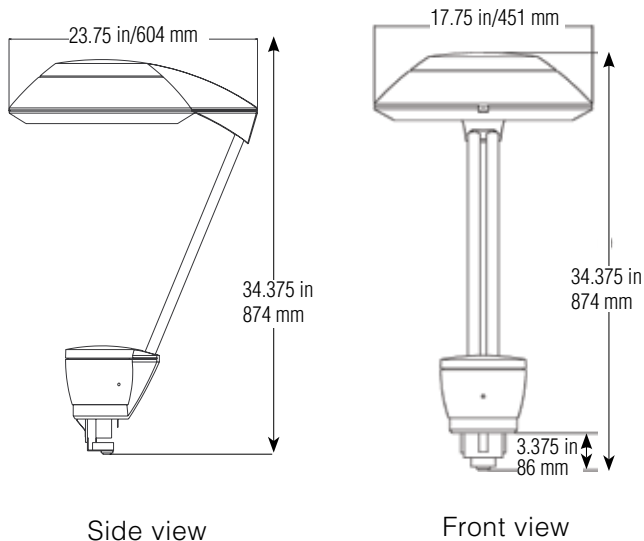
## Specifications

### LAMP MODULE

The upper lamp housing shall be sand cast aluminum. The internal reflector module is sealed from the outer housing, with a one-piece, memory retentive, molded silicone gasket. The tempered glass lens is sealed to the housing with a silicone gasket. One steel latch shall release the door to allow access to the lamp.

The reflector module is constructed of faceted, specular and semi specular anodized aluminum panels rigidly attached in a die cast aluminum housing. The reflector may be removed without tools by releasing a pair of steel latches. The reflector tray is rotatable on 90° centers for orienting the light distribution. The horizontal lamp reflectors meet IES full cutoff classification.

All sockets are pulse rated porcelain. Sockets are medium base for ED-17 lamps, G12 for use with T6 lamps.



Side view

Front view

### ELECTRICAL MODULE

The lower ballast housing is sand cast aluminum. With tool-less ballast access for servicing; accomplished by releasing a steel latch on the top cover. The ballast is mounted on a prewired tray with a quick disconnect plug attached to the underside of the cover. HID ballasts are high power factor, rated for -30° C starting. Electronic ballasts for metal halide lamps are sound rated A. Ballasts are multi-tap wired at the factory for 277 volts. Compact fluorescent transformers shall accept 120 to 277 volt input and rated for -18° C starting. The fixture shall slip over a 5 in/127 mm open top O.D. pole or arm and be secured and leveled with three stainless steel set screws.

### FINISH

Fixture finish consists of a five stage pretreatment regimen with a polymer primer sealer, oven dry off and top coated with a thermoset super TGIC polyester powder coat finish. The finish meets the AAMA 605.2 performance specification which includes passing a 3000 hour salt spray test for corrosion resistance.

### EISA COMPLIANCE

AAL is committed to complying with U.S. EISA requirements. All applicable products manufactured for sale in the United States after January 1, 2009, meet EISA requirements.

### CERTIFICATION

The fixture is listed with ETL for outdoor, wet location use, UL1598 and Canadian CSA Std. C22.2 no250. IP=55.

### WARRANTY

Fixture is warranted for three years. Ballast components carry the ballast manufacturer's limited warranty. Any unauthorized return, repair, replacement or modification of the Product(s) shall void this warranty. This warranty applies only to the use of the Product(s) as intended by AAL and does not cover any misapplication or misuse of said Product(s), or installation in hazardous or corrosive environments. Contact AAL for complete warranty language, exceptions, and limitations.

## Architectural Area Lighting

16555 East Gale Ave. | City of Industry | CA 91745  
 P 626.968.5666 | F 626.369.2695 | www.aal.net  
 Design patents, Copyright © 2010 Rev 01/2010