

Updated: 01/2010



- Hidden MR16 lamp in wall mount provides code-required emergency path of egress illumination
- Integral ballast assembly in fixture for easy installation
- Tool-less access to integral ballast assembly
- Lightweight aluminum composite upper reflector minimizes pole stress
- Round or square upper reflectors available
- Reflector tilts and locks at 0, 15 or 30 degrees
- Uses the Indirect Reflector System for IES cutoff classification
- EISA compliant
- IP 66 rating
- Powder coat finish in 13 standard colors with a polymer primer sealer



Architectural Area Lighting

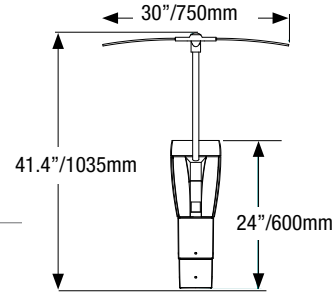
16555 East Gale Ave. | City of Industry | CA 91745
P 626.968.5666 | F 626.369.2695 | www.aal.net
Design patents, Copyright © 2010 Rev 01/2010



Fixture	Reflector-Upper	Lamp/Ballast	Mounting	Options	Color
1	2	3	4	5	6

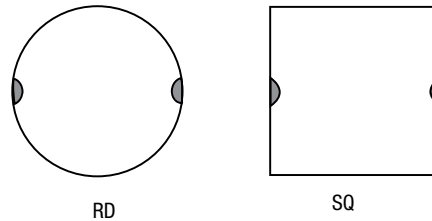
1. FIXTURE

- INDC Square straight, fixed head. Post top mount slips over a 2 3/8" O.D. tenon (5"/127mm square pole) or 4"/100mm square pole



2. REFLECTOR - UPPER

- RD 30 inch round upper reflector
- SQ 30 inch square upper reflector



3. LAMP/BALLAST

- CF Electronic 120 thru 277 volt ballast. Use 4-pin 26, 32 or 42 watt lamp. Specify wattage. -18°C starting temp.
- 70MH 70 watt metal halide 120/208/240/277 volt ballast. Use medium base, ED-17 lamp.
- 70MHEB 70 watt electronic metal halide 120 thru 277 volt ballast. Use medium base, ED-17 lamp.
- 70MHT6 70 watt metal halide 120/277 volt ballast. Use G12 base, T6 ceramic lamp.
- 70MHT6EB 70 watt electronic metal halide 120 thru 277 volt ballast. Use G12 base, T6 lamp.
- 100MH 100 watt metal halide 120/208/240/277 volt ballast. Use medium base, ED-17 lamp.
- 150PSMH Pulse start 150 watt metal halide 120/208/240/277 volt ballast. Use medium base, ED-17 lamp.
- 150PSMHT6 Pulse start 150 watt metal halide 120/208/240/277 volt ballast. Use G12 base, T6 ceramic lamp.
- 150MHEB 150 watt electronic metal halide 120 thru 277 volt ballast. Use medium base, ED-17 lamp.
- 150MHT6EB 150 watt metal halide 120 thru 277 volt electronic ballast. Use G12 base, T6 lamp.
- 70R111 70 watt metal halide 120/277 volt ballast. Use GX8.5 base, R111 lamp.
- 70R111EB 70 watt electronic metal halide 120/277 volt ballast. Use GX8.5 base, R111 lamp.
- IL55 55 watt induction lamp system with generator. -25°C start temp. Specify 120, 208, 240 or 277 volt.
- IL85 85 watt induction lamp system with generator. -25°C start temp. Specify 120, 208, 240 or 277 volt.
- 30LED-WW 30 light emitting diode array (33 watt). Warm white (3500K). 120 thru 277 volt.
- 30LED-BW 30 light emitting diode array (33 watt). Bright white (5100K). 120 thru 277 volt.

All ballasts are factory wired for 277 volts. Lamps not included (except IL and LED options). All applicable ballasts are EISA compliant.

SOLD TO	PO #	JOB NAME
---------	------	----------

Approvals

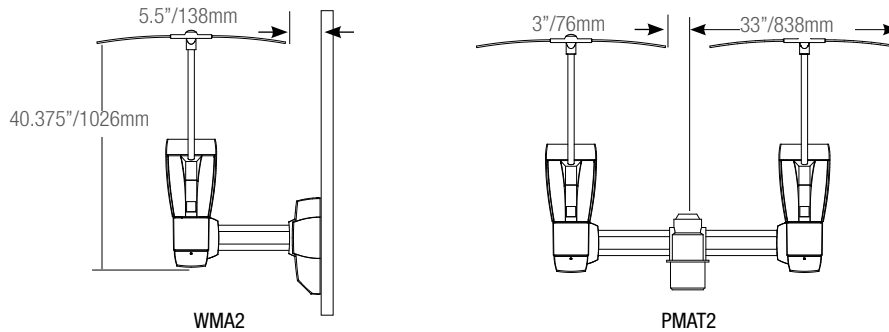
Architectural Area Lighting

16555 East Gale Ave. | City of Industry | CA 91745
 P 626.968.5666 | F 626.369.2695 | www.aal.net
 Design patents, Copyright © 2010 Rev 01/2010

Fixture	Reflector-Upper	Lamp/Ballast	Mounting	Options	Color
1	2	3	4	5	6

4. MOUNTING – must choose one

- WMA2 Wall mounted arm, 10 lbs. Features built in MR16 egress (50 watt).
- WMA2-NEG Wall mounted arm, 10 lbs. No egress lamp. Blocked opening.
- PMAT2 Twin pole mount arm, slips over a 4"/100mm O.D. pole or tenon.
- PTS5 Post top mount slips over a 2 3/8" O.D. round tenon (5"/127mm square pole)
- PTS4 Post top mount slips over a 4"/100mm square pole



5. OPTIONS

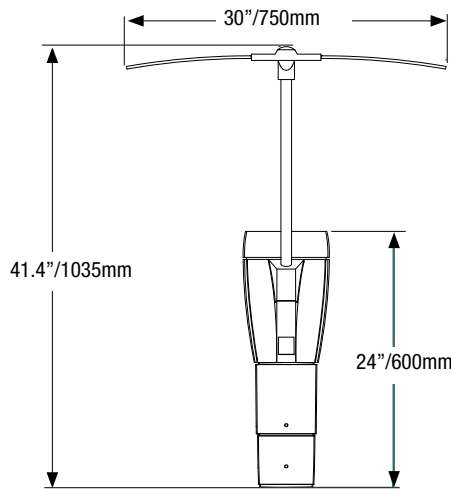
- CDC Center deflector cone for round reflector. Provides a wider light distribution.
- SR Two aluminum rings attached to the fixture. Factory installed.
- CFH Color filter holder attached to the fixture includes solid rings. Factory installed.
- LAMP R111 70 watt metal halide R111 reflector lamp.

6. COLOR

- AWT Arctic White
- BLK Black
- MTB Matte Black
- DGN Dark Green
- DBZ Dark Bronze
- WRZ Weathered Bronze
- BRM Metallic Bronze
- VBL Verde Blue
- CRT Corten
- MAL Matte Aluminum
- MDG Medium Grey
- ATG Antique Green
- LGY Light Grey
- RAL/PREMIUM COLOR Provide a RAL 4 digit color number
- CUSTOM COLOR Please provide a color chip for matching

Architectural Area Lighting

Specifications



WT: 45 lbs.

EPA: **Square Sail**

Sail @ 30° = 5.23

Sail @ 0° = 1.80

Round Sail

Sail @ 30° = 4.54

Sail @ 0° = 1.61

UPPER REFLECTOR

The upper reflector shall be light weight aluminum composite. The reflector shall be finished in a white, fluoropolymer finish. The reflector shall be attached to the cast aluminum pivot joints and secured with four stainless steel bolts. Two cast aluminum, adjustable knuckles shall connect the reflector assembly to the vertical, stainless steel struts. The struts are #316 stainless steel with a minimum .075" wall thickness. The struts shall be clamped in place with 5/16-18 set screws for attachment to the upper reflector and the lamp module.

LAMP MODULE

The reflector shall be enclosed cast aluminum housing. The front cover is secured with four cap screws for re-lamping and internal access. The top glass element is clear, tempered glass. The top cover and electrical module are sealed with memory retentive, molded silicone gaskets. The parabolic reflector shall be pre-focused to illuminate the upper reflector with no stray light beyond the reflector. All internal and external hardware is stainless steel.

HOUSING

The post top model shall slip over a 2 3/8" O.D. tenon (5"/127mm square pole) or 4"/100mm square pole.

SAFETY

The wall mounted luminaire (WMA-2) includes an integral secondary source to provide code-required 1 footcandle emergency path-of-egress illumination from building to the public way. The hidden MR16 lamp, powered as a remote head, is able to be angled up to 15° in either direction.

ELECTRICAL MODULE

The ballast is mounted on a pre-wired plate with a quick disconnect plug. Magnetic metal halide ballasts are high power factor, rated for -30°C starting. Electronic metal halide ballasts are rated for -30°C starting, sound rating A, 120 thru 277 volt. Sockets are pulse rated porcelain for medium base ED-17; bi-pin, G12 for T-6 lamps; GX8.5 for R111. The compact fluorescent shall have an electronic transformer, 120 thru 277 volt.

FINISH

Fixture finish consists of a five stage pretreatment regimen with a polymer primer sealer, oven dry off and top coated with a thermoset super TGIC polyester powder coat finish. The finish shall meet the AAMA 605.2 performance specification which includes passing a 3000 hour salt spray test for corrosion resistance. The reflector shall be painted white. The lens frame shall be painted black to further control any up light. The vertical struts are stainless steel. All other fixture parts shall be finished in the same specified color.

CERTIFICATION

The fixture shall be listed with ETL and U.L. for outdoor, wet location use, UL1598 and Canadian CSA Std. C22.2 NO.250. IP=66

EISA COMPLIANCE

AAL is committed to complying with U.S. EISA requirements. All applicable products manufactured for sale in the United States after January 1, 2009, meet EISA requirements.

WARRANTY

Fixture is warranted for three years. Ballast components carry the ballast manufacturer's limited warranty. Any unauthorized return, repair, replacement or modification of the Product(s) shall void this warranty. This warranty applies only to the use of the Product(s) as intended by AAL and does not cover any misapplication or misuse of said Product(s), or installation in hazardous or corrosive environments. Contact AAL for complete warranty language, exceptions, and limitations.

Architectural Area Lighting

16555 East Gale Ave. | City of Industry | CA 91745
 P 626.968.5666 | F 626.369.2695 | www.aal.net
 Design patents, Copyright © 2010 Rev 01/2010