

Updated: 01/2010



- Uses the same fixture modules for individual or continuous row applications
- Applications include floodlighting, sign lighting, wall grazing, indirect lighting
- Orient as an uplight or downlight
- Wet location for exterior use in any orientation
- Continuous rows feature an unbroken wash of light with no shadows at the fixture connections
- EISA compliant
- IP55 rated
- Powder coat finish in thirteen standard colors with a polymer primer



Architectural Area Lighting

16555 East Gale Ave. | City of Industry | CA 91745
 P 626.968.5666 | F 626.369.2695 | www.aal.net
 Design patents, Copyright © 2010 Rev 01/2010



Fixture	Lamp/Ballast	Color	Mounting	Options
1	2	3	4	5

1. FIXTURE

SINGLE FIXTURES

To order a single fixture, follow the order sequence as shown below. Items 1 through 3 must be included.

FIXTURE	COLOR	MOUNTING	OPTIONS
<input type="checkbox"/> PVT5H0-48	BLK	HBL	LVR
<input type="checkbox"/> PVPLL-96	WHT	HB	

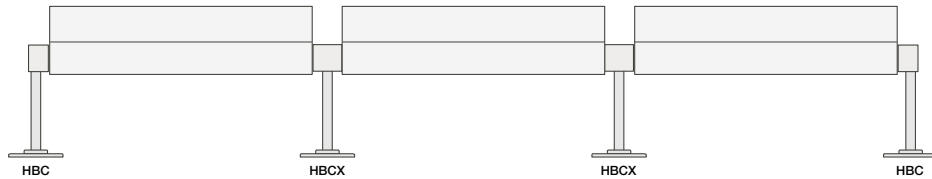
CONTINUOUS ROWS WITH ARMS AND HUBS - ALL FIXTURES CAN ROTATE

FIXTURE	COLOR	MOUNTING	OPTIONS
<input type="checkbox"/> 3-PVTPLL-96	WHT	HBC, 2-HBCX	•
<input type="checkbox"/> 4-PVT5-96	MAL	HBS, 3-HBSX	•
<input type="checkbox"/> 4-PVT5HO-48	BLK	HB, 3-SHAX	4-SLD48

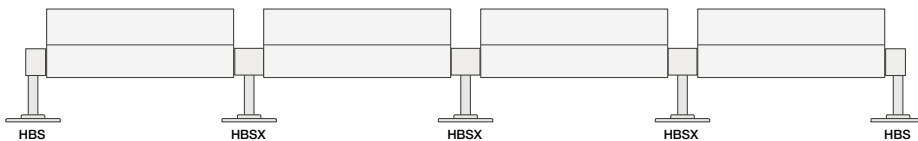
For continuous row configuration, follow the sequence as shown below. Items 1 through 3 must be included for all configurations.

- Always configure the order with: one end set and intermediate assemblies (equal to the total number of fixtures in the run minus one).
- Note: a row can be a mix of up and down orientations. Use any combination of fixture lengths.

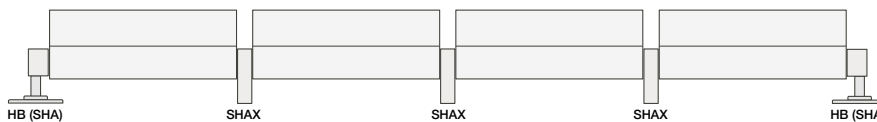
Example 1: the 3 fixture sections are joined and mounted using the curved arms. The ends of the run use one HBC (a set of two hubs), and 2 HBCX intermediate hubs to join the sections.



Example 2: In this example, the 4 fixture sections are joined and mounted using the short straight arms. The ends of the run use one HBS (a set of two hubs), and 3 HBSX intermediate hubs to join the sections.



Example 3: In this example, the 4 fixture sections are joined and mounted using the SHA intermediate arms which attach to the surface without the round j-box cover. The ends of the run use one HB (a set of two hubs), and 3 SHAX intermediate hubs to join the sections. The SHA could have been at the end of the run instead of the HB arms.



SOLD TO	PO #	JOB NAME
---------	------	----------

Approvals

Architectural Area Lighting

Fixture	Lamp/Ballast	Color	Mounting	Options
1	2	3	4	5

FIXTURE MODULES FOR INDIVIDUAL OR CONTINUOUS ROW MOUNTING

Lamp types with wattage and (lumens) shown

	<input type="checkbox"/> T5	<input type="checkbox"/> T5HO	<input type="checkbox"/> T8	<input type="checkbox"/> PLL
24 - 9.2 lbs.	14 watts (1350)	24 watts (2000)	17 watts (1325)	50 watts (4000) 55 watts (4800)



	<input type="checkbox"/> T5	<input type="checkbox"/> T5HO	<input type="checkbox"/> T8	<input type="checkbox"/> PLL
36 - 10.3 lbs.	21 watts (2100)	39 watts (3500)	25 watts (2080)	n/a



	<input type="checkbox"/> T5	<input type="checkbox"/> T5HO	<input type="checkbox"/> T8	<input type="checkbox"/> PLL
48 - 11.5 lbs.	28 watts (2900)	54 watts (5000)	32 watts (2850)	2x50 watts (8000) 2x55 watts (9600)



	<input type="checkbox"/> T5	<input type="checkbox"/> T5HO	<input type="checkbox"/> T8	<input type="checkbox"/> PLL
96 - 20.5 lbs.	2x28 watts (5800)	2x54 watts (10,000)	2x32watts (5700)	4x50 watts (16,000) 4x55 watts (19,200)



96" configuration is not available with HBL or HBLX

Architectural Area Lighting

Fixture	Lamp/Ballast	Color	Mounting	Options
1	2	3	4	5

2. LAMP/BALLAST

T5 FLUORESCENT LAMPS

<input type="checkbox"/> PVT5-24	14 watt lamp, 26.5"/667mm long housing, 120 thru 277 volt ballast
<input type="checkbox"/> PVT5-36	21 watt lamp, 38"/965mm long housing, 120 thru 277 volt ballast
<input type="checkbox"/> PVT5-48	28 watt lamp, 49.75"/1265mm long housing, 120 thru 277 volt ballast
<input type="checkbox"/> PVT5-96	Two 28 watt lamps, 98.75"/2508mm long housing, 120 thru 277 volt ballast

T5 HO HIGH OUTPUT FLUORESCENT LAMPS

<input type="checkbox"/> PVT5HO-24	24 watt lamp, 26.5"/667mm long housing, 120 thru 277 volt ballast
<input type="checkbox"/> PVT5HO-36	39 watt lamp, 38"/965mm long housing, 120 thru 277 volt ballast
<input type="checkbox"/> PVT5HO-48	54 watt lamp, 49.75"/1265mm long housing, 120 thru 277 volt ballast
<input type="checkbox"/> PVT5HO-96	Two 54 watt lamps, 98.75"/2508mm long housing, 120 thru 277 volt ballast

T8 FLUORESCENT LAMPS

<input type="checkbox"/> PVT8-24	17 watt lamp, 26.5"/667mm long housing, 120 thru 277 volt ballast
<input type="checkbox"/> PVT8-36	25 watt lamp, 38"/965mm long housing, 120 thru 277 volt ballast
<input type="checkbox"/> PVT8-48	32 watt lamp, 49.75"/1265mm long housing, 120 thru 277 volt ballast
<input type="checkbox"/> PVT8-96	Two 32 watt lamps, 98.75"/2508mm long housing, 120 thru 277 volt ballast

PL-L HIGH OUTPUT TWIN TUBE FLUORESCENT LAMPS

<input type="checkbox"/> PVPLL-24	50 or 55 watt PL-L lamp, 26.5"/667mm long housing, 120 thru 277 volt ballast
<input type="checkbox"/> PVPLL-48	Two 50 or 55 watt PL-L lamps, 49.75"/1265mm long housing, 120 thru 277 volt ballast
<input type="checkbox"/> PVPLL-96	Four 50 or 55 watt PL-L lamps, 98.75"/2508mm long housing, 120 thru 277 volt ballast

*All ballasts are factory wired for 277 volts, unless specified. Lamps not included.
All applicable ballasts are EISA compliant.*

3. COLOR

<input type="checkbox"/> AWT	Arctic White	<input type="checkbox"/> CRT	Corten
<input type="checkbox"/> LGY	Light Grey	<input type="checkbox"/> BRM	Metallic Bronze
<input type="checkbox"/> MAL	Matte Aluminum	<input type="checkbox"/> DBZ	Dark Bronze
<input type="checkbox"/> MDG	Medium Grey	<input type="checkbox"/> BLK	Black
<input type="checkbox"/> ATG	Antique Green	<input type="checkbox"/> MTB	Matte Black
<input type="checkbox"/> VBL	Verde Blue	<input type="checkbox"/> RAL#	
<input type="checkbox"/> WRZ	Weathered Bronze	<input type="checkbox"/> CUSTOM	
<input type="checkbox"/> DGN	Dark Green		

Architectural Area Lighting

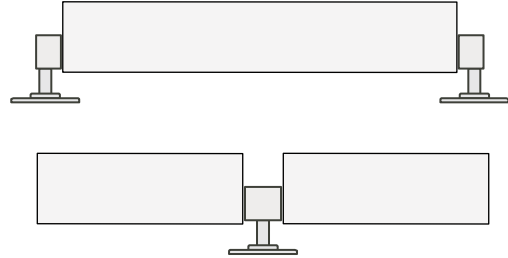
Fixture	Lamp/Ballast	Color	Mounting	Options
1	2	3	4	5

4. MOUNTING

HUB CONFIGURATIONS

- End hub(s) Set of two hubs for single fixture or to terminate the ends of a continuous row

- Intermediate hub One hub to connect two inline fixtures in a continuous row

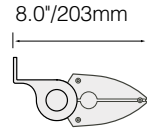


CONTINUOUS ROW CONFIGURATIONS

BRACKET ARM 200° rotation

- SHA Set of 2 brackets with one solid and one 1/2"NPS threaded end cap, used to terminate the ends of a continuous row

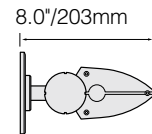
- SHAX One intermediate bracket. Can be used in combination with the HB arms.



VERY SHORT ARMS 200° rotation

- HB Set of 2 end hubs and wall plates

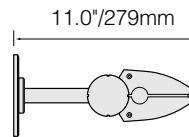
- HBX One intermediate hub and wall plate



SHORT ARMS 360° rotation

- HBS Set of 2 end hubs and wall plates

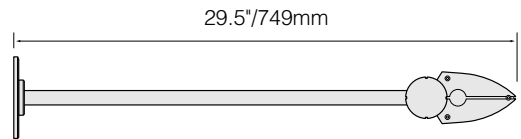
- HBSX One intermediate hub and wall plate



LONG STRAIGHT ARMS 360° rotation

- HBL Set of 2 end hubs and wall plates

- HBLX One intermediate hub and wall plate

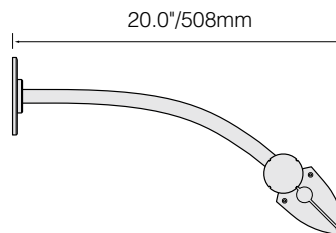


Not available with 96" configuration

CURVED ARMS 360° rotation

- HBC Set of 2 end hubs and wall plates

- HBCX One intermediate hub and wall plate



Architectural Area Lighting

Fixture	Lamp/Ballast	Color	Mounting	Options
1	2	3	4	5

PENDANT MOUNT

- TPN-U Fixture pointed up

- TPN-D Fixture pointed down

- TPN-S Fixture pointed up + down

An 8"/200mm center hub to pendant mount two (2) individual fixtures of any length. Fixtures can be oriented for uplight or downlight. All wiring is concealed within the hub. The stem is 48"/1220mm long. The ceiling canopy includes an internal ball and socket assembly. The hub, stem and canopy are painted to match the fixture. Shown with shield - SLD.



5. OPTIONS

EFW Optional end cap(s) if an intermediate hub is used at the end of a row. Two caps are provided; one solid and one with 1/2" NPS threads. The cap is sealed with an o-ring for a water tight connection.



- LVR** Internal, low brightness aluminum louver
- LVR-24 Louver for 24" long fixtures, for individual unit

 - LVR-36 Louver for 36" long fixtures, for individual unit

 - LVR-48 Louver for 48" long fixtures, for individual unit

 - LVR-96 Louver for 96" long fixtures, for individual unit



SLD External lens shield attaches to each end cap. Can be used for uplight or downlight orientation. Available for all individual fixtures, continuous rows.

- SLD-24 Shield for 24" long fixtures, for individual unit

- SLD-36 Shield for 36" long fixtures, for individual unit

- SLD-48 Shield for 48" long fixtures, for individual unit

- SLD-96 Shield for 96" long fixtures, for individual unit

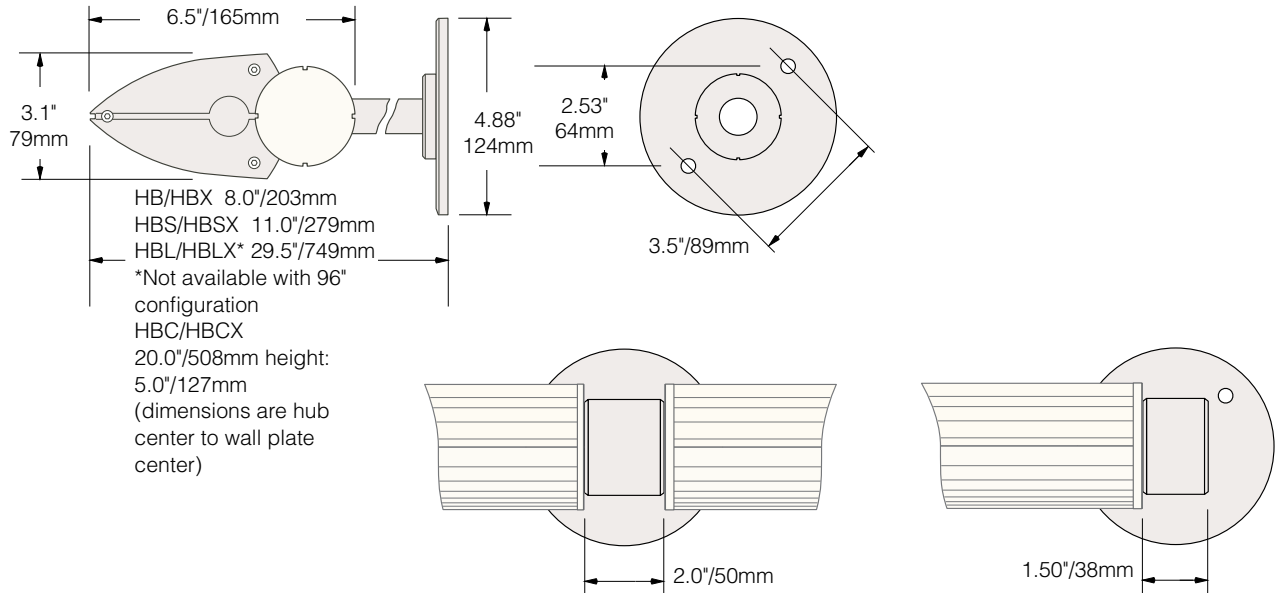


Architectural Area Lighting

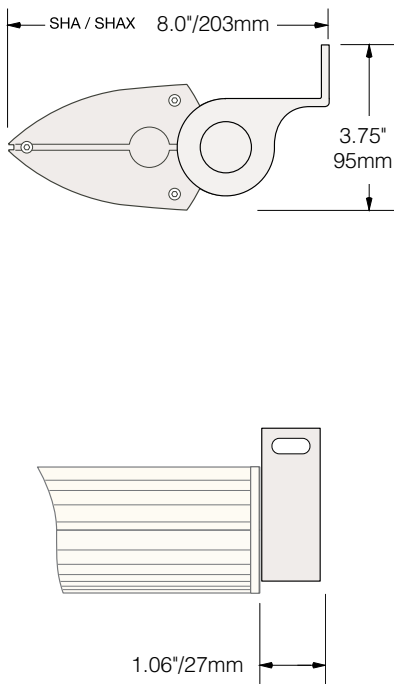
Fixture	Lamp/Ballast	Color	Mounting	Options
1	2	3	4	5

DIMENSIONAL DATA FOR INDIVIDUAL FIXTURES WITH HUBS

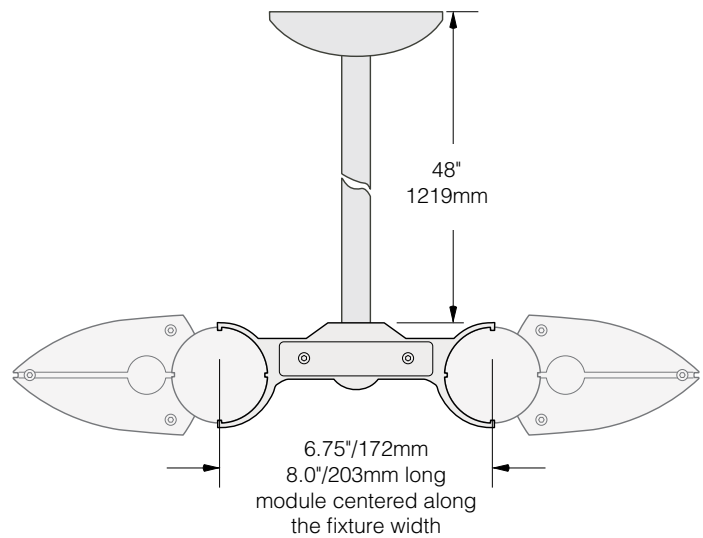
Hubs with Arms and Wall Plates



Bracket Arm



Pendant-TPN Option



Architectural Area Lighting

Specifications

HOUSING

The lamp housing is extruded 6061 T-6 aluminum with gasketed, die-cast aluminum end plates. The lens is molded optical grade acrylic with transverse prisms. The lens is sealed with a silicone gasket. The lens is secured to the housing with a full length, rotating lever bar that locks the lens for a water tight seal. To remove the lens, the lever is pushed back to release. For tamper resistance, the lever is locked with two captive cap nuts that must be loosened to allow the lever to rotate. The electronic ballast is integral and accessed by removing the reflector assembly. The reflector is die formed specular aluminum. All hardware is stainless steel.

The ballast is mounted to the inside of the housing. All ballasts are high power factor class P, electronic, sound rated A Type 1. -18°C minimum starting temperature.

MOUNTING

The rotating hubs are solid machined aluminum with extruded 6061 T-6 aluminum arms and cast aluminum wall cover plates. The hubs can be rotated by loosening two hex head set screws on each hub. The connections are sealed with an internal silicone o-ring. The internal through wiring is 18 AWG wire and shall extend on both ends of the fixture with butt connectors for easy termination.

The pendant mount is a two-piece extruded aluminum module with an access plate on each end. The fixture wiring is inside the pendant module and rated for wet location use.

FINISH

Fixture finish consists of a five stage pretreatment regimen with a polymer primer sealer, oven dry off and top coated with a thermoset super TGIC polyester powder coat finish. The finish shall meet the AAMA 605.2 performance specification which includes passing a 3000 hour salt spray test for corrosion resistance.

EISA COMPLIANCE

AAL is committed to complying with U.S. EISA requirements. All applicable products manufactured for sale in the United States after January 1, 2009, meet EISA requirements.

CERTIFICATION

The fixture shall be listed with ETL for outdoor, wet location use, UL1598 and Canadian CSA Std. C22.2 no250. IP=55.

WARRANTY

Fixture is warranted for three years. Ballast components carry the ballast manufacturer's limited warranty. Any unauthorized return, repair, replacement or modification of the Product(s) shall void this warranty. This warranty applies only to the use of the Product(s) as intended by AAL and does not cover any misapplication or misuse of said Product(s), or installation in hazardous or corrosive environments. Contact AAL for complete warranty language, exceptions, and limitations.

Architectural Area Lighting

16555 East Gale Ave. | City of Industry | CA 91745
P 626.968.5666 | F 626.369.2695 | www.aal.net
Design patents, Copyright © 2010 Rev 01/2010