

Photocell - PCA

ROTATABLE PHOTOCELL HOUSING

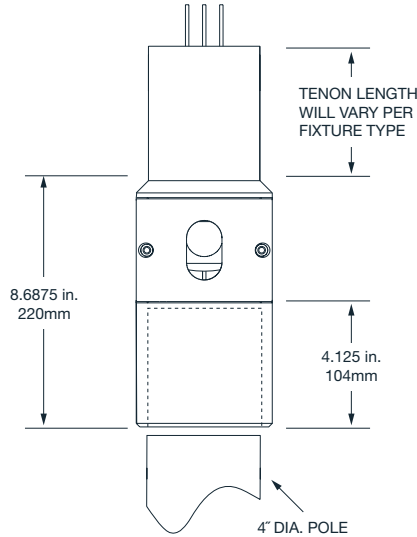
DATE

TYPE

PCA-
PHOTOCELL



(shown with Spectra)

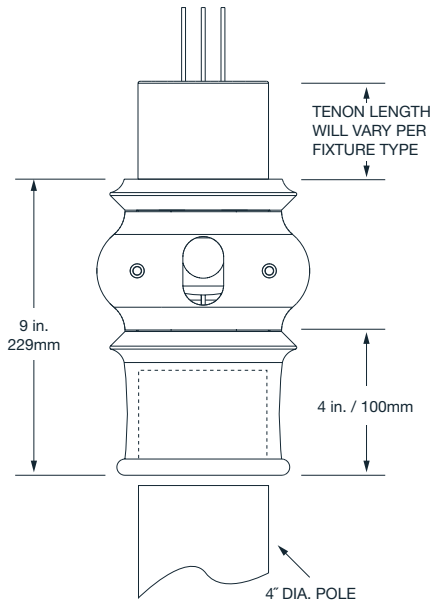


PCA-C Contemporary

Rotatable photocell housing. The photocell can be aimed away from stray light sources for an accurate setting. The photocell is also shielded from light emissions from the fixture. The housing slips over a 4"/100mm o.d. pole. a fixture or arm slips over the 4"/100mm o.d. tenon. Includes an internal twist lock receptacle, and an access cover with integral lens and stainless steel tether. Adds 4.5"/114mm to the overall height of the pole/fixture assembly. Prewired on the load side and line side for easy installation. **Photocell by others.**



(shown with Providence)



PCA-T Traditional

Rotatable photocell housing. The photocell can be aimed away from stray light sources for an accurate setting. The photocell is also shielded from light emissions from the fixture.

The housing slips over a 4"/100mm o.d. pole. a fixture slips over the 4"/100mm o.d. tenon. Includes an internal twist lock receptacle, and an access cover with integral lens and stainless steel tether. Adds 5"/125mm to the overall height of the pole/fixture assembly. Prewired on the load side and line side for easy installation. **Photocell by others.**

SOLD TO	PO #	JOB NAME
/		

Approvals

Photocell - PCA

ROTATABLE PHOTOCELL HOUSING

PCA-C



PCA-T



The module is wired on both ends for a quick, easy installation

The glass window protects the interior of the module

The photocell is shielded from the fixture's illumination, even when used with an arm mounted fixture



The door is held in place with two captive screws and tethered with a stainless steel cable (not shown)

The Photocell Module is rotated by loosening three set screws.

The Photocell Module slips over a 4 inch od pole



The PCA Photocell Module is an innovative way of overcoming problems with photocells that cycle the lamp because of unwanted light sources in the environment. The PCA Photocell Modules are rotatable 360 degrees, so the photocell can be aimed away from light sources. The Photocell Module accepts a standard, twist lock photo cell. The module has a glass window to protect the photocell from the elements and premature failure. The photocell is also shielded from light emissions from the fixture.

ARCHITECTURAL AREA LIGHTING

www.aal.net

14249 Artesia Boulevard • La Mirada, CA 90638
tel (714) 994-2700 • fax (714) 994-0522

Copyright ©2006 Architectural Area Lighting.